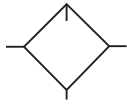


Lubricator L41 EconOmist™

= "Most Popular"

B

Filters, Regulators, Lubricators



L41-0B-000

Specifications

Flow Capacity*	1-1/2	927 SCFM (437 dm ³ /s)
Maximum Supply Pressure		200 PSIG (13.8 bar)
Operating Temperature		32° to 150°F (0° to 65.5°C)
Port Size	NPT / BSPP-G	1-1/4, 1-1/2
Bowl Capacity		96.0 oz
Weight		16.3 lb. (7.4 kg)

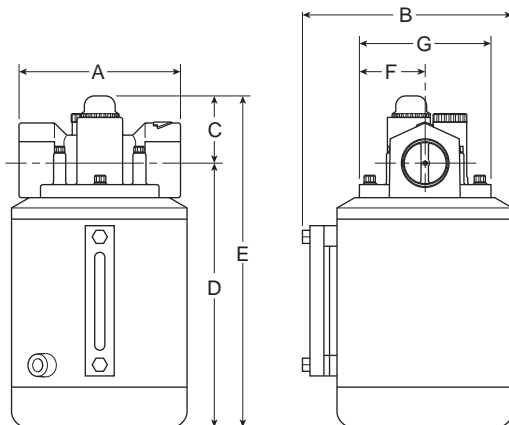
* Inlet pressure 120 PSIG (8.3 bar). Pressure drop 5 PSID (0.3 bar).

Materials of Construction

Body	Zinc
Bowl	Steel (Welded)
Seals	Fluorocarbon
Sight Dome	Nylon
Sight Gauge	Tempered Safety Glass
Suggested Lubricant	Airline Oil F442001

Features

- Full View Sight Dome
- Siphon Tube Filter Provides Clean Lubricant Downstream
- Adjustable Oil Feed
- Can be Filled while Under Pressure



Dimensions

Models	Inches (mm)	A	B	C	D	E	F	G
Standard Unit L41-XX-000		5.50 (140)	7.19 (183)	2.28 (58)	9.03 (229)	11.31 (287)	3.00 (76.2)	4.50 (1147)

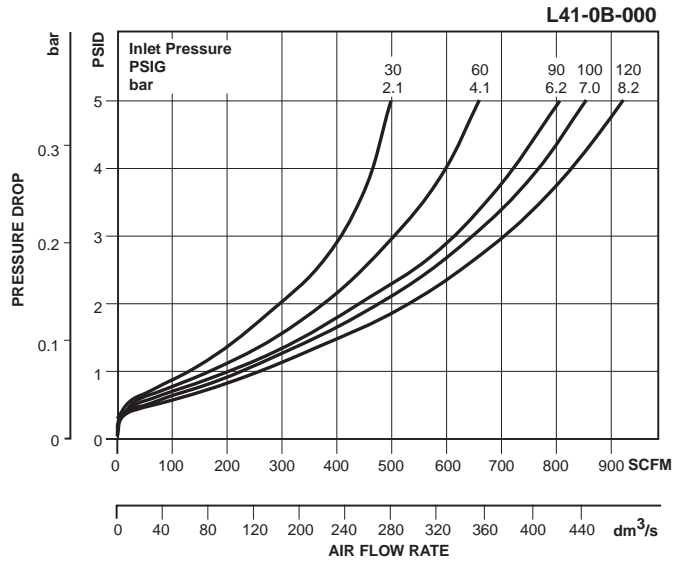
= "Most Popular"

Replacement Kits

- Fill Plug Kit – Fill Plug and O-ring LRP-95-250
- Flow Guide LRP-95-251
- Sight Dome Kit – Sight Dome and O-ring LRP-95-249

Accessories

- Air Line Oil (1 Gal.) F442002
- Air Line Oil (4 Gal. Case)..... F442005
- Manual Drain, Brass Petcock GRP-95-182
- Tamper Resistant Kit..... LRP-95-587



B
Filters, Regulators, Lubricators

Ordering Information

Model Type	Port Size	Metal Bowl / Sight Gauge
EconOmist™	1-1/2	L41-0B-000

Options - To order an option supplied with the unit model, add the appropriate coded suffix letter in the designated position of the model number.