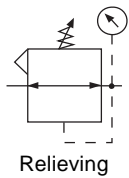


Dial-Air™ Regulator R41

 = "Most Popular"



R41-0B-000

Features

- Balanced Valve Design
- Non-Rising Pressure Adjusting Dial
- High-Relief Flow (3/16" Relief Orifice)
- Two 1/4" NPT / BSPT-Rc Gauge Ports, Usually Used for Additional Outlets
- Piston Operated

Specifications

Flow Capacity*	1-1/2, 2	1600 SCFM (755 dm ³ /s)
Adjusting Range Pressure	0 to 160 PSIG (0 to 11 bar)	
Bleed Rate	0.05 SCFM (0,024 dm ³ /s)	
Maximum Supply Pressure	300 PSIG (20.7 bar)	
Operating Temperature	32° to 150°F (0° to 65.5°C)	
Port Size	NPT / BSPP-G	1-1/2, 2
Remote Pilot Port Size	1/4	
Gauge Port (2 ea.)	NPT / BSPT-Rc	1/4
Weight	lb. (kg)	9 (4.1)

* Inlet pressure 100 PSIG (6.9 bar). Secondary pressure 80 PSIG (5.5 bar).

Materials of Construction

Body	Zinc
Bonnet	Zinc / Brass
Piston	Zinc
Seals	Nitrile
Springs	Steel
Valve Assembly	Brass / Nitrile / Acetal

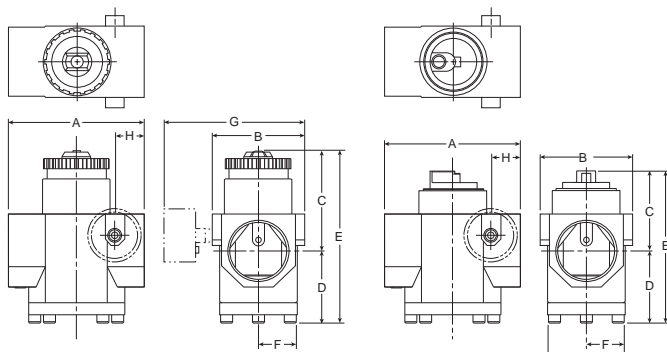
WARNING

**Product rupture can cause serious injury.
Do not connect regulator to bottled gas.
Do not exceed maximum primary pressure rating.**

CAUTION:

REGULATOR PRESSURE ADJUSTMENT – The working range of knob adjustment is designed to permit outlet pressures within their full range. Pressure adjustment beyond this range is also possible because the knob is not a limiting device. This is a common characteristic of most industrial regulators, and limiting devices may be obtained only by special design.

For best performance, regulated pressure should always be set by increasing the pressure up to the desired setting.



Remote Operated

Dimensions

Models	Inches (mm)	A	B	C	D	E	F	G	H
Standard Unit R41-XX-000		5.31 (135)	3.58 (91)	4.02 (102)	2.79 (71)	6.81 (173)	1.79 (45.7)	—	1.15 (29.2)
With Gauge (order separately) R41-XX-XXX		5.31 (135)	3.58 (91)	4.02 (102)	2.79 (71)	6.81 (173)	1.79 (45.7)	5.29 (134.6)	1.15 (29.2)
Remote Operated R41-XX-R00		5.31 (135)	3.58 (91)	3.11 (78.9)	2.79 (71)	5.90 (149.8)	1.50 (38)	3.00 (76)	1.15 (29.2)

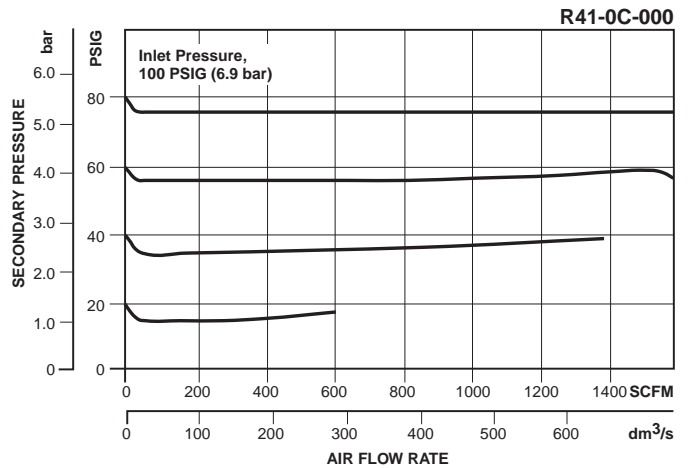
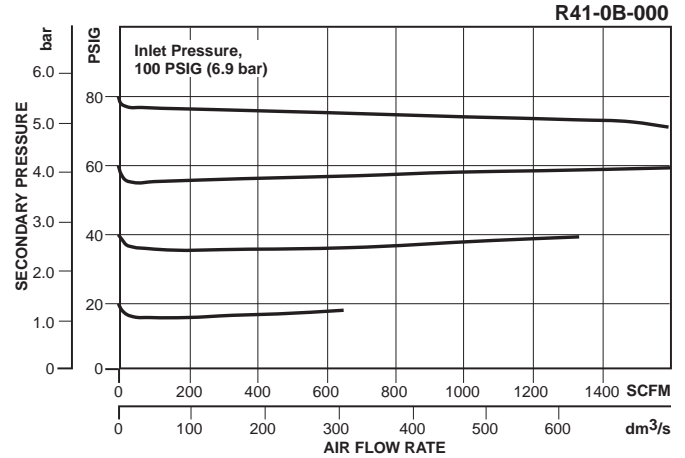
= "Most Popular"

Replacement Kits

- Adjustment Dial Knob RRP-16-024-000
- Conversion Kit (Series A to Series B) RRP-95-766
- O-ring, Repair Kit GRP-95-262
- Piston, Bottom and O-ring Seal RRP-95-192
- Spring, Regulating, Belleville Washer –
 - 2 to 40 PSIG (0.1 to 3 bar) RRP-95-906
 - 5 to 160 PSIG (0.4 to 11 bar) RRP-95-905
- Spring, Valve RRP-95-024
- Valve –
 - Main with O-ring Seal RRP-95-153
 - Main (Remote) with O-ring Seal RRP-96-951
 - Pilot with O-ring and Valve Spring RRP-96-935

Accessories

- Gauge, Pressure –
 - 0 to 60 PSIG (0 to 4 bar), 2" Dial Face, 1/4" NPT, CBM K4520N14060
 - 0 to 160 PSIG (0 to 11 bar), 2" Dial Face, 1/4" NPT, CBM K4520N14160
 - 0 to 160 PSIG, 1-3/4" Digital Round, 1/4" NPT K4517N14160D
- Tamper Resistant Kit RRP-95-585
- Wall Mounting Bracket, Gauge Port Adapter, 1/4" NPT RRP-95-590



B
Filters, Regulators, Lubricators

Ordering Information

Model Type	Port Size	High Flow 5 to 160 PSIG (0.4 to 11 bar)	Low Pressure 2 to 40 PSIG (0.1 to 3 bar)	Remote 5 to 160 PSIG (0.4 to 11 bar)
Relieving	1-1/2	R41-0B-000	R41-0B-L00	R41-0B-R00
	2	R41-0C-000	R41-0C-L00	R41-0C-R00

Options - To order an option supplied with the unit model, add the appropriate coded suffix letter in the designated position of the model number.