

LTM3-02

Ultra-Miniature Pushbutton Switches With Connector socket (Without LED)



RoHS Compliant

■ Features

1. Snap-in panel mount.
2. Connector interface for easy installation.
3. Dome shaped metal contact for sharp tactile feel.

■ Applications

- Operating buttons for gaming machines
- Signal input buttons of various equipments

■ Specifications

Rating	1VA max. (50mA max.48VDC max)	0.5mA min.
Initial contact resistance	100 Ω max.	(1.5mA 200 μ VAC at 1.96N)
Dielectric strength	250VAC 1 minute	
Insulation resistance	100MΩ min.	(100VDC)
Electrical life	300,000 operations	
Contact Bounce	10 ms max. (Initial value)	
Travel	0.25 mm	
Operating force (at peak force)	1.37 ± 0.39N	
Operating temperature range	-25~+70°C	
Storage temperature range	-40~+70°C	

■ Part Numbering

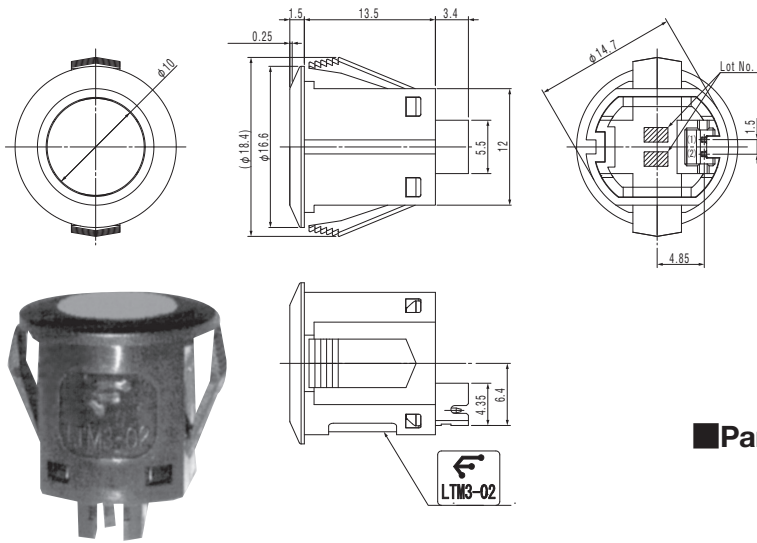
LTM **3** **—** **02** **—** **K**

Series Structure Registration No. Button color

K	Black
G	Gray
R	Red
M	Green
W	White

LTM3-02

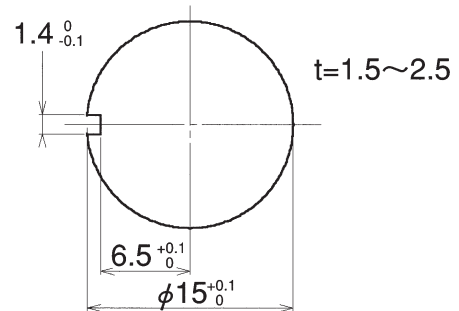
LTM3-02



Part No.	Switching function		Circuit diagrams
	OFF	Push (ON)	
LTM3-02-□	OFF	(ON)	(1) ○ (2)
Connecting terminals	—	(1) — (2)	

(ON) : means Momentary.
Button color code to be specified in □.

Panel Cut-Out Dimensions



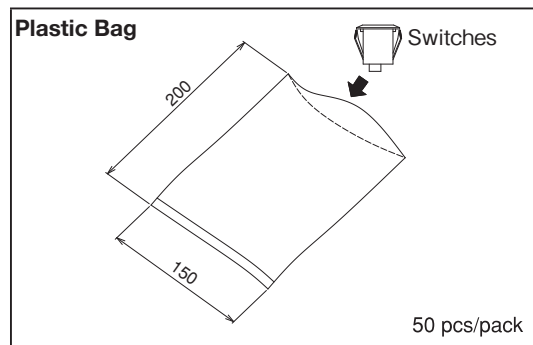
Applicable Connector

ZHR-2 (Housing) by J.S.T. MFG CO.,LTD.

Table of Part Numbers

Button color	Part No.
Black	★LTM3-02-K
Gray	LTM3-02-G
Red	★LTM3-02-R
Green	★LTM3-02-M
White	★LTM3-02-W

Packaging Specifications



Handling Precautions

(1) Cleaning

The frame of the switch is made of polyamide resin and the color button is made of ABS resin. Use alcohol or water to wipe the main body and make sure the cleaning solvent does not infiltrate the switch. Do not use organic solvent as this may cause product defect.

(3) Pushbutton Strength

Do not press down the button with force exceeding 9.8 N. Bottom of the switch may pop out.

(2) Panel Cutout

When cutting out the panel, press through the panel from the front side. Also make sure to mount the switch from the front side of the panel. This will help the mount spring on both sides of the switch latch on to the edge of the hole.