

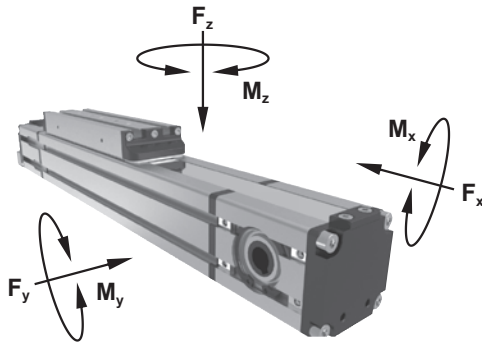


### Max values for dynamic conditions.

Please refer to the following formula when combined loads are applied.

$$\frac{F_{yA}}{F_y} + \frac{F_{zA}}{F_z} + \frac{M_{xA}}{M_x} + \frac{M_{yA}}{M_y} + \frac{M_{zA}}{M_z} \leq 1$$

\* The A letters show the calculated value.



### Features

- Belt driven unit with railway integrated.
- Extruded aluminum anodized 6060 alloy, tempered stainless steel protection band.
- Carriage with sealed system to protect against pollution.

### Specification

Model		METB		
Size	(mm)	42	55	80
Max. speed	(m/s)	3	3	3
Max. stroke length	(mm)	6000	6000	6000
Min. stroke length	(mm)	100	100	100
Pulley drive ratio	(mm)	90	120	160
Number of teeth of pulley	(mm)	18	24	32
Belt width (Teeth type ATL5)	(mm)	12	16	25
Max rpm	(g/min)	2000	1500	1150
Max. load	Fx (N)	460	820	1650
	Fy (N)	1560	1850	4500
	Fz (N)	1560	1850	4500
Moments	Mx (Nm)	20	25	80
	My (Nm)	55	120	450
	Mz (Nm)	55	120	450
Inertia moment aluminum profile	Ix (cm <sup>4</sup> )	11.8	36	183
	Iy (cm <sup>4</sup> )	14.2	45	226
Positioning repeatability	(mm)	±0.05	±0.05	±0.05
Max. radial load on input shaft	(N)	220	300	300
No load torque	(Nm)	>0.1	>0.5	0.9
Sensor switch (*)		RCI		
Basic weight	(kg)	1.6	4.8	6
Added weight per 100 mm stroke	(kg)	0.25	0.37	0.9

\* RCI specification, please refer to page 5-7.

### Order example

**METB — 42 — 0100 — F08 L — EM2A**

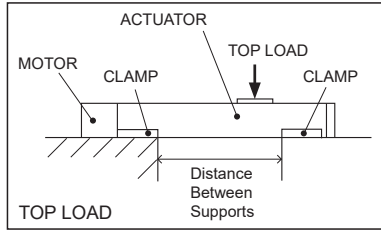
Model	Size (mm)	Stroke	Shaft versions	Male shaft	Accessory																																																								
METB	42 42×42 55 55×55 80 80×80	100~6000 mm (4 codes) <small>* Minimum stroke unit 1mm.</small>	<table border="1"> <thead> <tr> <th>Size</th> <th>Type</th> <th>ø</th> <th>Part No.</th> </tr> </thead> <tbody> <tr> <td rowspan="3">42</td> <td>Female shaft</td> <td>8</td> <td><b>F08</b></td> </tr> <tr> <td>Male shaft</td> <td>12</td> <td><b>M12</b></td> </tr> <tr> <td>Double male shaft</td> <td>12</td> <td><b>D12</b></td> </tr> <tr> <td rowspan="3">55</td> <td>Female shaft</td> <td>8</td> <td><b>F08</b></td> </tr> <tr> <td>Male shaft</td> <td>16</td> <td><b>M16</b></td> </tr> <tr> <td>Double male shaft</td> <td>16</td> <td><b>D16</b></td> </tr> <tr> <td rowspan="3">80</td> <td>Female shaft</td> <td>19</td> <td><b>F19</b></td> </tr> <tr> <td>Male shaft</td> <td>19</td> <td><b>M19</b></td> </tr> <tr> <td>Double male shaft</td> <td>19</td> <td><b>D19</b></td> </tr> </tbody> </table>	Size	Type	ø	Part No.	42	Female shaft	8	<b>F08</b>	Male shaft	12	<b>M12</b>	Double male shaft	12	<b>D12</b>	55	Female shaft	8	<b>F08</b>	Male shaft	16	<b>M16</b>	Double male shaft	16	<b>D16</b>	80	Female shaft	19	<b>F19</b>	Male shaft	19	<b>M19</b>	Double male shaft	19	<b>D19</b>	<table border="1"> <thead> <tr> <th>L</th> <th>Left shaft</th> </tr> <tr> <th>R</th> <th>Right shaft</th> </tr> </thead> </table>	L	Left shaft	R	Right shaft	<table border="1"> <thead> <tr> <th>E</th> <th>End cap mounting</th> </tr> <tr> <th>M□<sup>+1</sup></th> <th>Mid section mounting</th> </tr> <tr> <th>A□<sup>+2</sup></th> <th>Limit switch adapters</th> </tr> </thead> <tbody> <tr> <td>Blank</td> <td>1 set (2 pcs)</td> </tr> <tr> <td>2</td> <td>2 set (4 pcs)</td> </tr> <tr> <td>n</td> <td>"n" set (n×2 pcs)</td> </tr> </tbody> </table> <p><small>* A type only for size 80. *1. Number of accessory *2. Number of accessory</small></p> <table border="1"> <tbody> <tr> <td>Blank</td> <td>1 pc</td> </tr> <tr> <td>2</td> <td>2 pcs</td> </tr> <tr> <td>n</td> <td>"n" pcs</td> </tr> </tbody> </table>	E	End cap mounting	M□ <sup>+1</sup>	Mid section mounting	A□ <sup>+2</sup>	Limit switch adapters	Blank	1 set (2 pcs)	2	2 set (4 pcs)	n	"n" set (n×2 pcs)	Blank	1 pc	2	2 pcs	n	"n" pcs
Size	Type	ø	Part No.																																																										
42	Female shaft	8	<b>F08</b>																																																										
	Male shaft	12	<b>M12</b>																																																										
	Double male shaft	12	<b>D12</b>																																																										
55	Female shaft	8	<b>F08</b>																																																										
	Male shaft	16	<b>M16</b>																																																										
	Double male shaft	16	<b>D16</b>																																																										
80	Female shaft	19	<b>F19</b>																																																										
	Male shaft	19	<b>M19</b>																																																										
	Double male shaft	19	<b>D19</b>																																																										
L	Left shaft																																																												
R	Right shaft																																																												
E	End cap mounting																																																												
M□ <sup>+1</sup>	Mid section mounting																																																												
A□ <sup>+2</sup>	Limit switch adapters																																																												
Blank	1 set (2 pcs)																																																												
2	2 set (4 pcs)																																																												
n	"n" set (n×2 pcs)																																																												
Blank	1 pc																																																												
2	2 pcs																																																												
n	"n" pcs																																																												

Female shaft

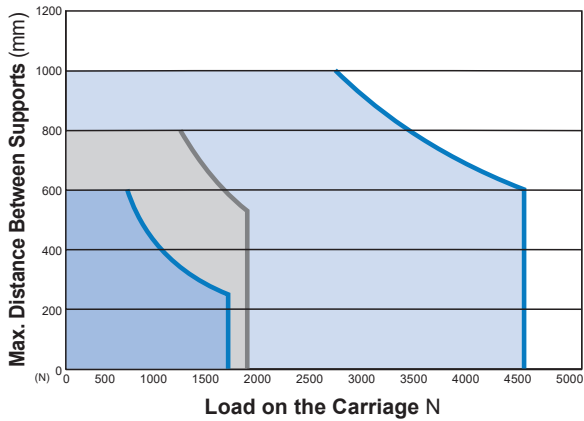
Male shaft

Double male shaft

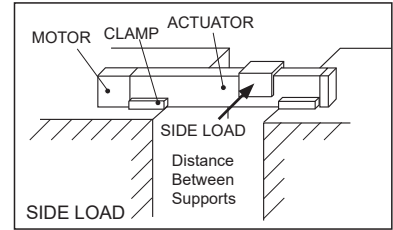
### End supported top load



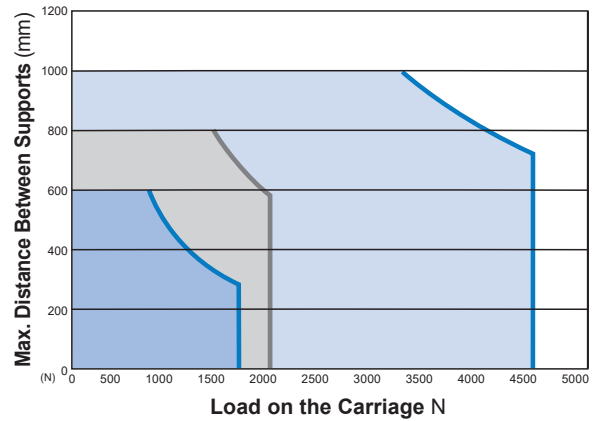
- METB-42
- METB-55
- METB-80



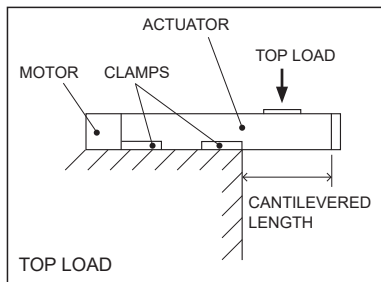
### End supported side load



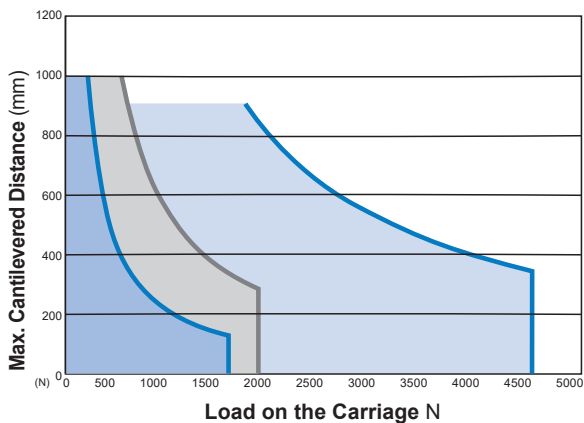
- METB-42
- METB-55
- METB-80



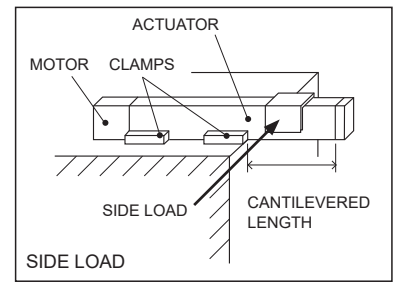
### Cantilevered top load



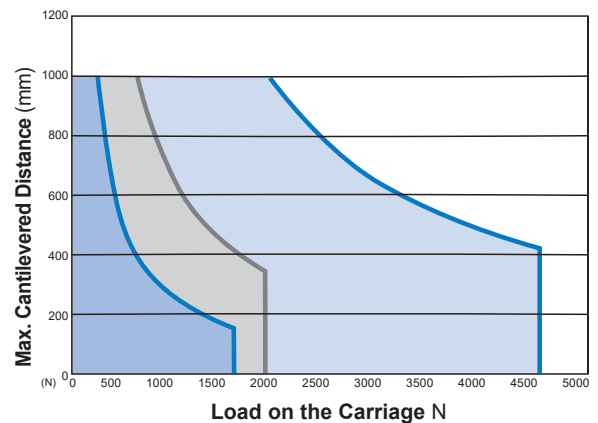
- METB-42
- METB-55
- METB-80



### Cantilevered side load

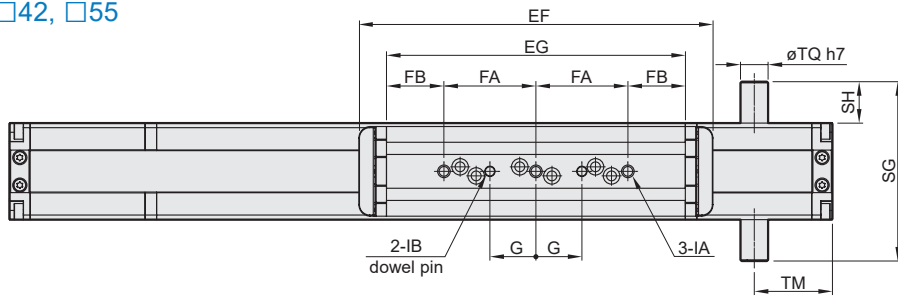


- METB-42
- METB-55
- METB-80

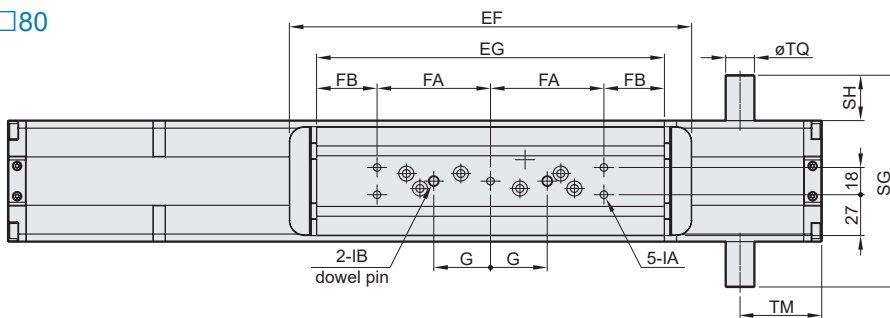


## SLIDER ELECTRIC CYLINDER (WITHOUT MOTOR)

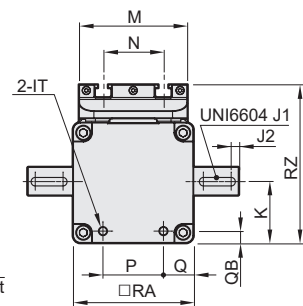
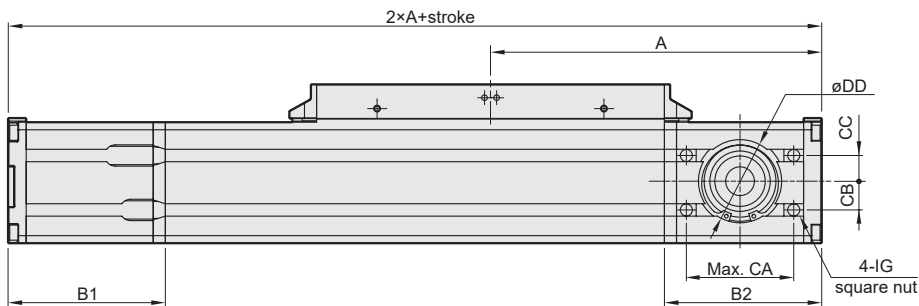
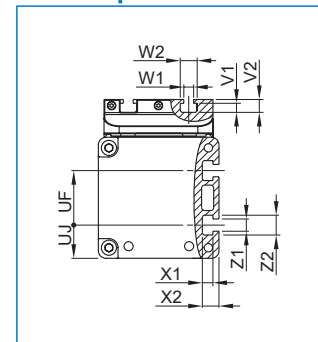
□42, □55



□80

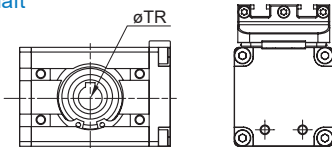


### Groove position

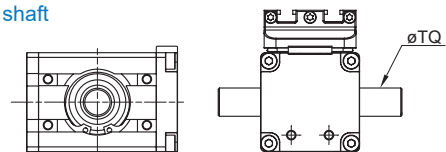


### Shaft versions

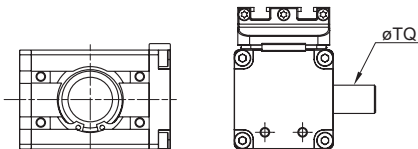
Female shaft



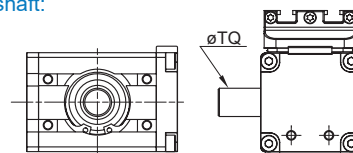
Double male shaft



Single male shaft:  
side right



Single male shaft:  
side left

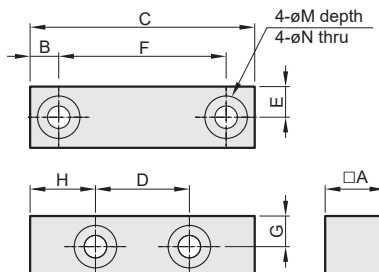


Code Tube I.D.	A	B1	B2	CA	CB	CC	DD	EF	EG	FA	FB	G	IA	IB	IG	IT
42	129.5	64	64	42	10	9.5	ø30×H7×1.7 dp	154	130	40	25	20	M5×0.8×5 dp	ø4×H7×5 dp	M5×0.8 DIN 562	M4×6 dp
55	166	88	88.5	55	8.5	13.5	ø32×H7×1.5 dp	190	150	55	20	30	M5×0.8×7.5 dp	ø5×H7×5 dp	M5×0.8 DIN 562	M5×6 dp
80	219	104	104	71	19.5	16.5	ø55×H7×2.75 dp	266	230	75	40	37.5	M6×1.0×10 dp	ø6×H7×10 dp	M8×1.25 DIN 562	M6×4 dp

Code Tube I.D.	J1	J2	K	M	N	P	Q	QB	RA	RZ	SG	SH	TM	TQ	TR	UF	UJ	V1	V2	W1	W2	X1	X2	Z1	Z2
42	4×4×14	4	21	39	20	16	13	7	42	59.5	78	18	34	12	8	19.5	11	3.2	4.9	5.3	8	3.2	4.9	5.3	8.6
55	5×5×20	3.5	25	50	28	23	16	8	55	76.5	93	19	49	16	8	22	16.5	4.2	6.2	5.2	8.4	4.3	6.3	5.3	8.6
80	6×6×25	5.5	41.5	72	40	40	20	8	80	105.25	140	30	54	19	19	36	22	6	8.5	6.5	11	7	11	8.2	13.2

### End cap mounting

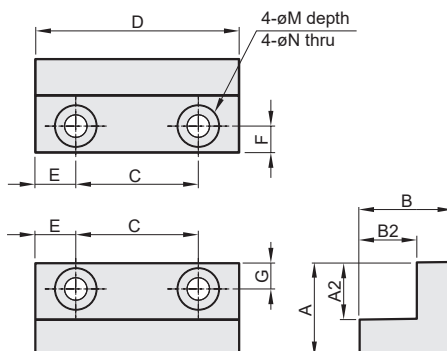
(2 pcs/set)



Code Size	A	B	C	D	E	F	G	H	M	N	Weight (g)	Order number
<b>METB-42</b>	14	5	42	16	7	32	7	13	8×4.4 depth	4.5	65	<b>ETB42-1</b>
<b>METB-55</b>	15	7	55	23	7.5	41	7	16	10×5 depth	5.5	100	<b>ETB55-1</b>
<b>METB-80</b>	16	8	80	40	8	64	8	20	11×6 depth	6.6	160	<b>ETB80-1</b>

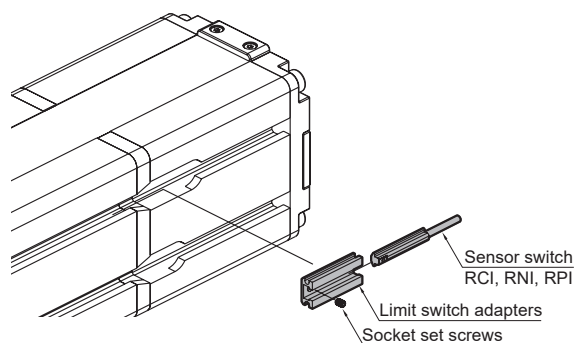
### Mid section mounting

(2 pcs/set)



Code Size	A	A2	B	B2	C	D	E	F	G	M	N	Weight (g)	Order number
<b>METB-42</b>	17	12	17	12	25	40	7.5	6	6	10×3.5 depth	5.5	45	<b>ETB42-2</b>
<b>METB-55</b>	23	14	23	14	30	50	10	6.5	6.5	10×5.5 depth	5.5	130	<b>ETB55-2</b>
<b>METB-80</b>	32	19	34	21	40	60	10	8	10	15×8.6 depth	9	310	<b>ETB80-2</b>

### Installation of sensor switch



### Limit switch adapters

**ETB80-3 (Only for size 80)**

Weight: 15 g

