

# R RESERVOIRS



## RESERVOIR VOLUME

V <sub>MAX</sub>	R15 - 15 L
	R25 - 25 L
	R50 - 50 L

## TEMPERATURE

T <sub>MAX</sub>	-20 ÷ 80 °C [-4 ÷ 176 °F]
------------------	---------------------------

## MATERIALS

XLPE Cross-linked polyethylene

## FLUIDS COMPATIBILITY - ISO 2943 (N. ISO 6743/4)

MINERAL OILS (1)	HH - HL - HM - HR - HV - HG
WATER EMULSIONS (1)	HFAE - HFAS
GLYCOL WATER (1) (3)	HFC
SYNTHETIC FLUIDS (2)	HS - HFDR - HFDU - HFDS

(1) With Buna seals

(2) With Viton seals

(3) Without zinc-plated elements

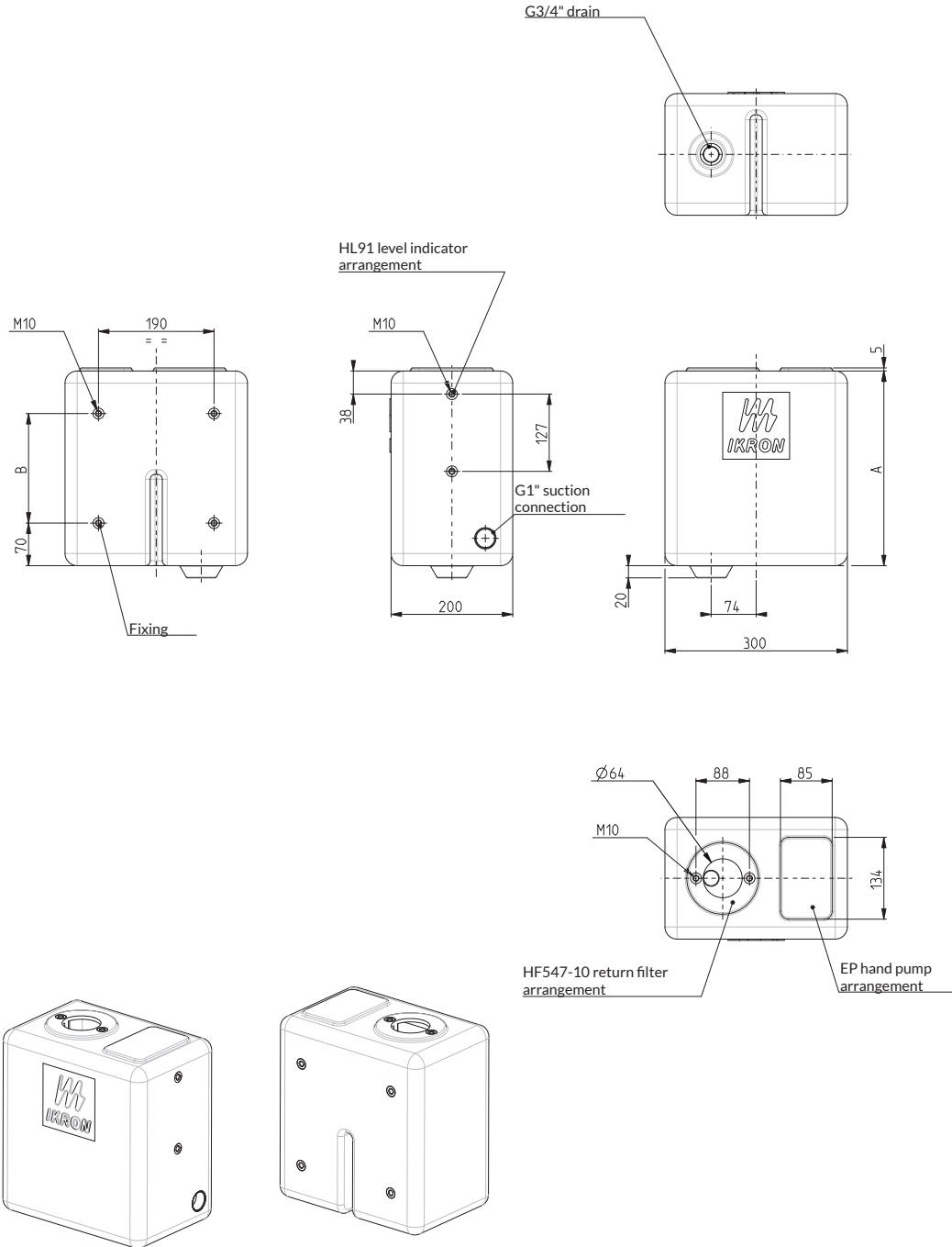
## TECHNICAL FEATURES

- Rotational molded plastic shell
- HF547 return filter and HL91 level indicator on board
- HF431/434/437 suction filter arrangement
- EP hand pump arrangement
- Ready to be installed into the hydraulic circuit without any additional operations, reducing maintenance costs
- Easy and stable fixing with 4 threaded holes in the back and double option of brackets-bars and bands
- Excellent resistance to corrosion
- Internal oil baffle creating a division between the return line oil and the suction line oil in order to prevent bubbling going through the circuit

## APPLICATION FIELDS

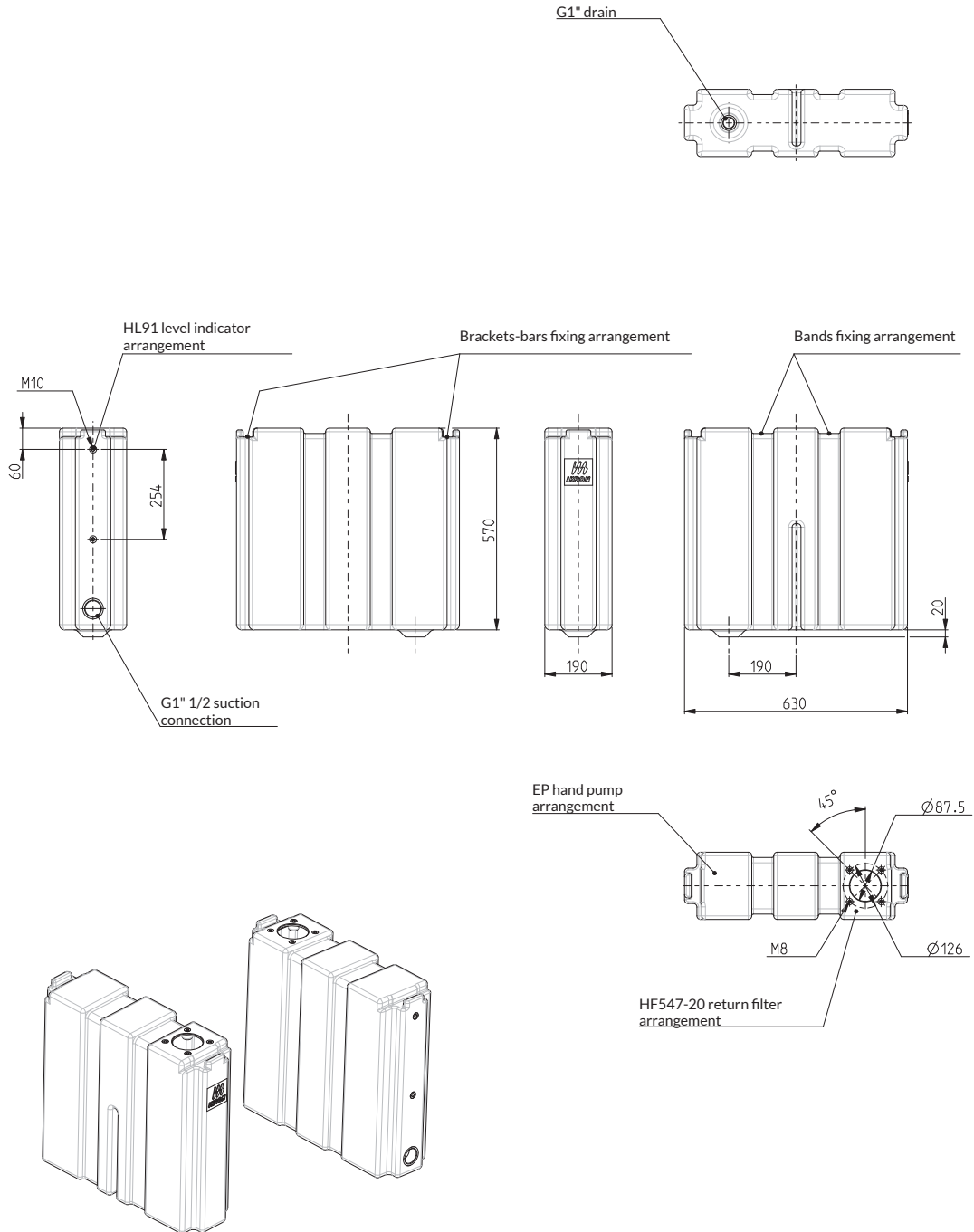


## R15 - R25 DIMENSIONS



RESERVOIR TYPE	WEIGHT	A	B
	kg [lb]	mm [in]	mm [in]
<b>R 15</b>	3,2 [7.05]	320 [12.60]	180 [7.09]
<b>R 25</b>	4,5 [9.92]	520 [20.47]	380 [14.96]

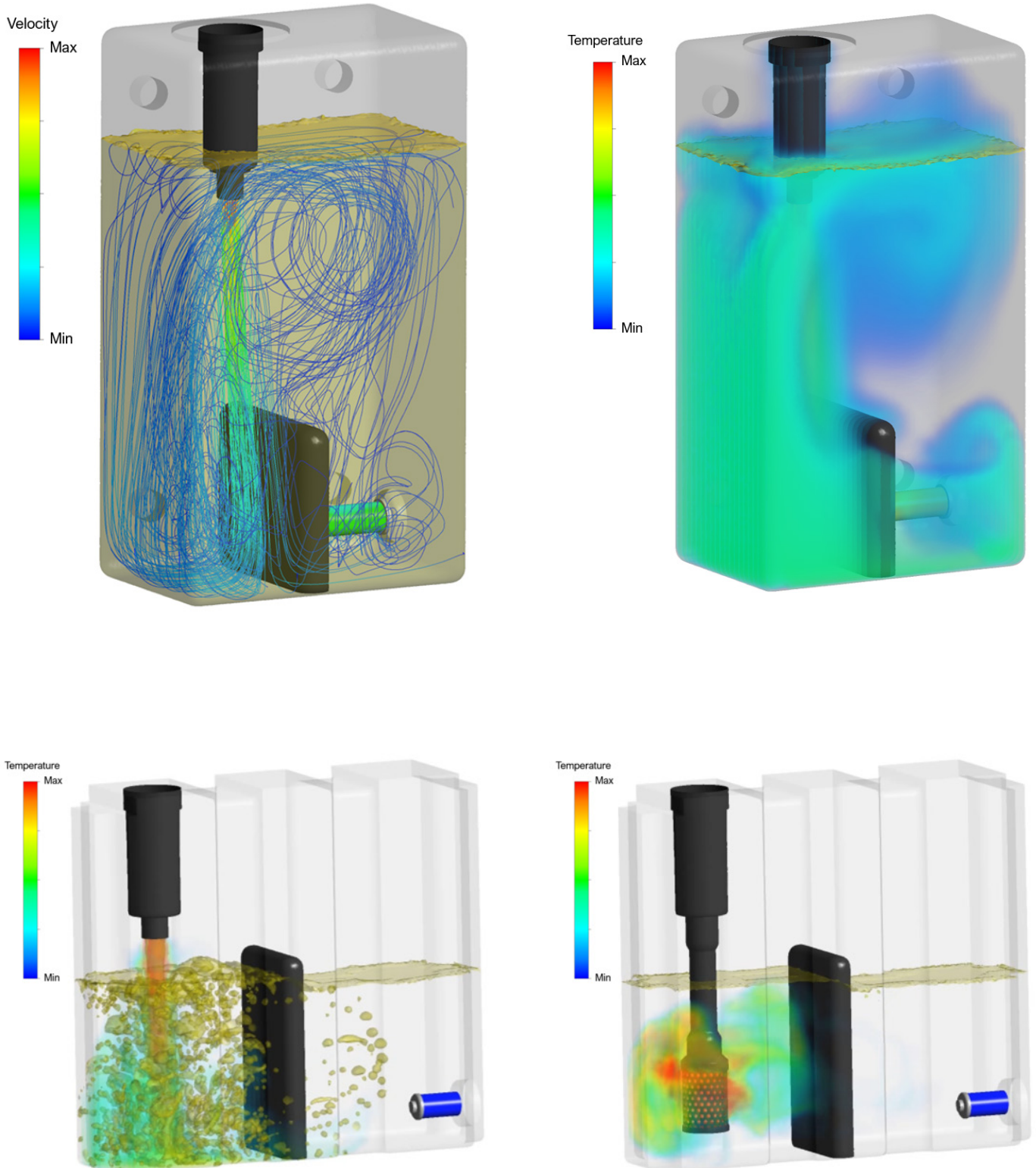
# R50 DIMENSIONS



RESERVOIR TYPE	WEIGHT
	kg [lb]
R 50	7,0 [15.43]

## COMPUTATIONAL FLUID DYNAMICS ANALYSIS

- With the help of state-of-the-art softwares, Ikron is able to analyze the behavior of the fluid inside the tank and to design custom solutions according to the different conditions of use.



### R15 - R25 EXPLODED VIEW



## R50 EXPLODED VIEW



## BUILD YOUR RESERVOIR

Write here  
↓ ↓ ↓

1	R	RESERVOIR TYPE		
2		DIMENSION		
	Dimension	15	25	50
3		RETURN FILTER*		
	HF547	HHDxxxx	HHDxxxx	HHDxxxx
4		LEVEL INDICATOR*		
	HL91	HHIxxxx	HHIxxxx	HHIxxxx
5		SUCTION FILTER*		
	HF431/HF434/HF437	HHBxxxx	HHBxxxx	HHBxxxx
	Without	-	-	-
6		HAND PUMP*		
	EP	0600xxxx	0600xxxx	0600xxxx
	Without	-	-	-

\*: see dedicated catalogs

► For special requests please contact our Sales Department.

**SUCTION FILTERS**

**HF410  
HF431/434/437**

**RETURN FILTERS**

**HF502/508  
HF532  
HF547  
HF554  
HF570/575/578**

**SPIN-ON FILTERS**

**HF620/625  
HF650**

**MEDIUM AND HIGH PRESSURE FILTERS**

**HF690  
HF705  
HF710  
HF725  
HF731  
HF735  
HF741  
HF745  
HF749  
HF760**

**HAND PUMPS**

**EP**

**ACCESSORIES**

**HBO2/50/70/110/120  
AF105/106  
HL91**

**CLOGGING INDICATORS**

**FILTRATION DEVICES**

**FLUX OIL IK  
R RESERVOIRS**

 **IKRON**<sup>®</sup>  
*Fluid Filtration*

Via C. Prampolini, 2  
43044 Lemignano di Collecchio  
Parma - Italy  
Phone: +39 0521 304911  
info@ikron.it  
[www.ikron.it](http://www.ikron.it)

