

IKRON S.r.l.
Via Prampolini, 2
43044 Lemignano di Collecchio
Parma (Italy)
Tel. (+39) 0521 30 49 11
Fax (+39) 0521 30 49 00
IP Videoconferencing
E-mail: info@ikron.it
www.ikron.it

HYDRAULIC HAND
PUMPS

UpEasy[®]

INDEX

Subject	Page
GENERAL INFORMATION	1
TECHNICAL DATA	2
PUMP AND RESERVOIR SELECTION	3
“A” AND “B” MODULAR DESIGNS	4
MOUNTING POSITION OF PUMPS WITH RESERVOIRS.....	6
PUMPING GROUPS	7
HAND PUMPS WITHOUT RESERVOIRS.....	10
HAND PUMPS WITH RESERVOIRS	12
SUPPORT FOR HAND PUMPS WITHOUT RESERVOIR	18
RESERVOIRS	19
KIT AND ACCESSORIES	21
HAND PUMP WITHOUT RESERVOIRS WITH ALUMINIUM BODY SIMPLIFIED VERSION	23

GENERAL INFORMATION

DISPLACEMENTS

From 12 cm³/cycle (0.73 cu in/cycle)
To 45 cm³/cycle (2.75 cu in/cycle)

- New interchangeable modular design for maximum flexibility
- Same pumping group with or without reservoir
- Suitable for auxiliary or emergency applications

MAX PRESSURE

315 bar (4568 psi)

GENERAL DESCRIPTION

"UpEasy" is a series of double acting hand pumps providing flow in both directions of lever movement.

➤ MODULAR DESIGN

One of the primary characteristics of the new series of "UpEasy" pumps is the modular design.

The modular design of the pumping groups, reservoirs and accessories allow the flexibility to configure the hand pump assembly required for the application.

All pumping groups shown in the following pages can be mounted on a common support or on the reservoirs.

The pumping groups are furnished with the screws and a gasket for sealing to the support or the reservoir.

1) Assembly of the pumping group on the support:

place the "O-Ring" supplied with the support on the pumping group.

2) Assembly of the pumping group on the reservoir:

insert the suction kit on the pumping group.

Section **A** on page 4 addresses points 1 and 2.

To limit the inventory levels all the hand pumps configurations can be made by matching the following kits:

- pumping groups
- suction kit
- reservoirs
- reservoirs capacity kit (cover, gasket and screws)

Section **B** on page 5 addresses this flexibility.

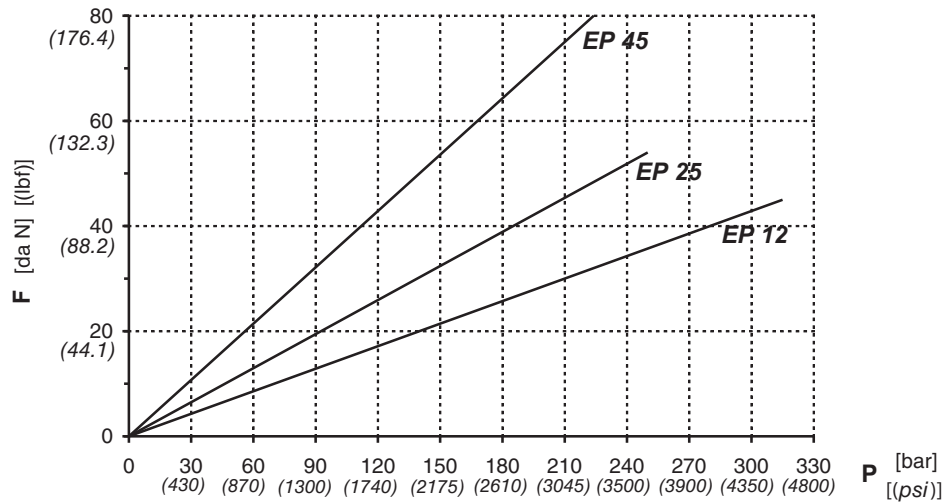
➤ SIMPLIFIED VERSION

In this version the body is obtained from an extruded aluminum bar. This allows to the pump to be more compact and cheaper compared to modular solution.

TECHNICAL DATA

Pumping group	type	EP 12	EP 25	EP 45
Displacement	cm ³ /cycle	12	25	45
	cu in/cycle	(0.73)	(1.53)	(2.75)
Max. pressure	bar	315	250	220
	(psi)	(4568)	(3625)	(3190)
Operating temperature	°C		-15 ÷ +80	
	(°F)		(5 ÷ 176)	
Fluid	Mineral oil based hydraulic fluids to DIN 51524. For other fluids please consult our sales department.			
Fluid viscosity range at 50°C	(mm ² /s) (cSt)		12 ÷ 46	
	(SSU)		(66 ÷ 212)	

FORCE - PRESSURE CHART



F	Force at the end of the standard lever code 06004390	da N (lbf)
P	Pressure	bar (psi)

PUMP AND RESERVOIR SELECTION

PUMP SELECTION

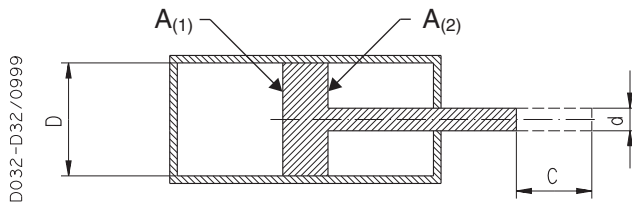
To select the right displacement of the pumping group it is necessary to know:

C	cm	Piston stroke
D	cm	Piston diameter
d	cm	Piston rod diameter
P	bar	Max. outlet pressure

Choose:

Q	cm ³ /cycle	Pump displacement
----------	------------------------	-------------------

Using the formulas listed below you can calculate the number of cycle "n" needed for the piston stroke "C".



$$A_{(1)} = \frac{\pi D^2}{4} \quad [\text{cm}^2]$$

$$A_{(2)} = \frac{\pi D^2}{4} - \frac{\pi d^2}{4} \quad [\text{cm}^2]$$

$$n = \frac{A_{(2)} C}{Q}$$

$$1 \text{ (cm)} = 0.394 \text{ [in]}$$

$$1 \text{ (bar)} = 14.5 \text{ [psi]}$$

$$1 \text{ (cm}^3\text{/cycle)} = 0.061 \text{ [cu in/cycle]}$$

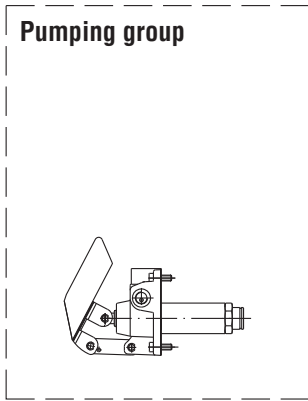
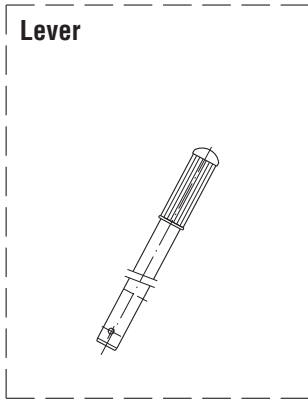
From the force-pressure chart in page 2 is possible to see the force needed at the end of the lever.

RESERVOIR CHOICE

We recommend the reservoir capacity be 30% greater than the volume of oil needed.

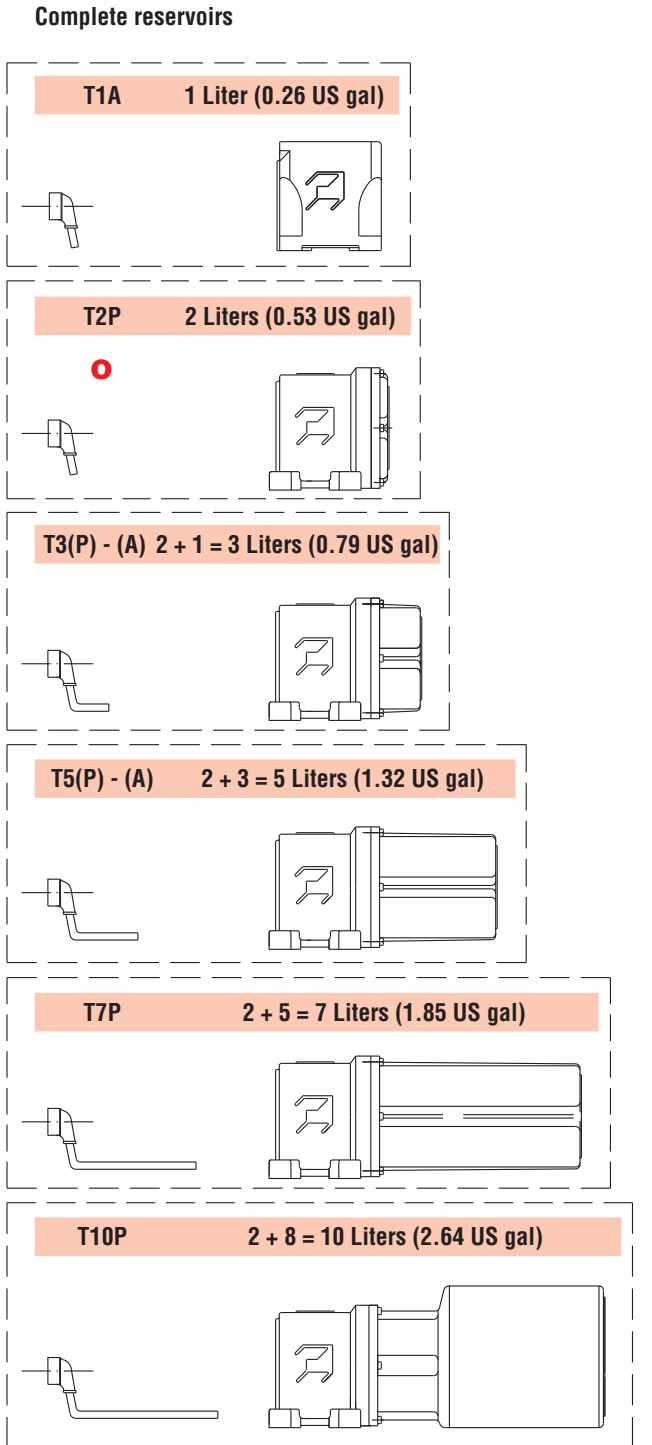
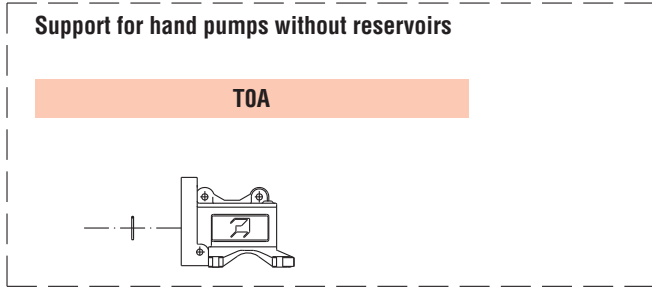
MODULAR DESIGN - COMPLETE RESERVOIRS

A



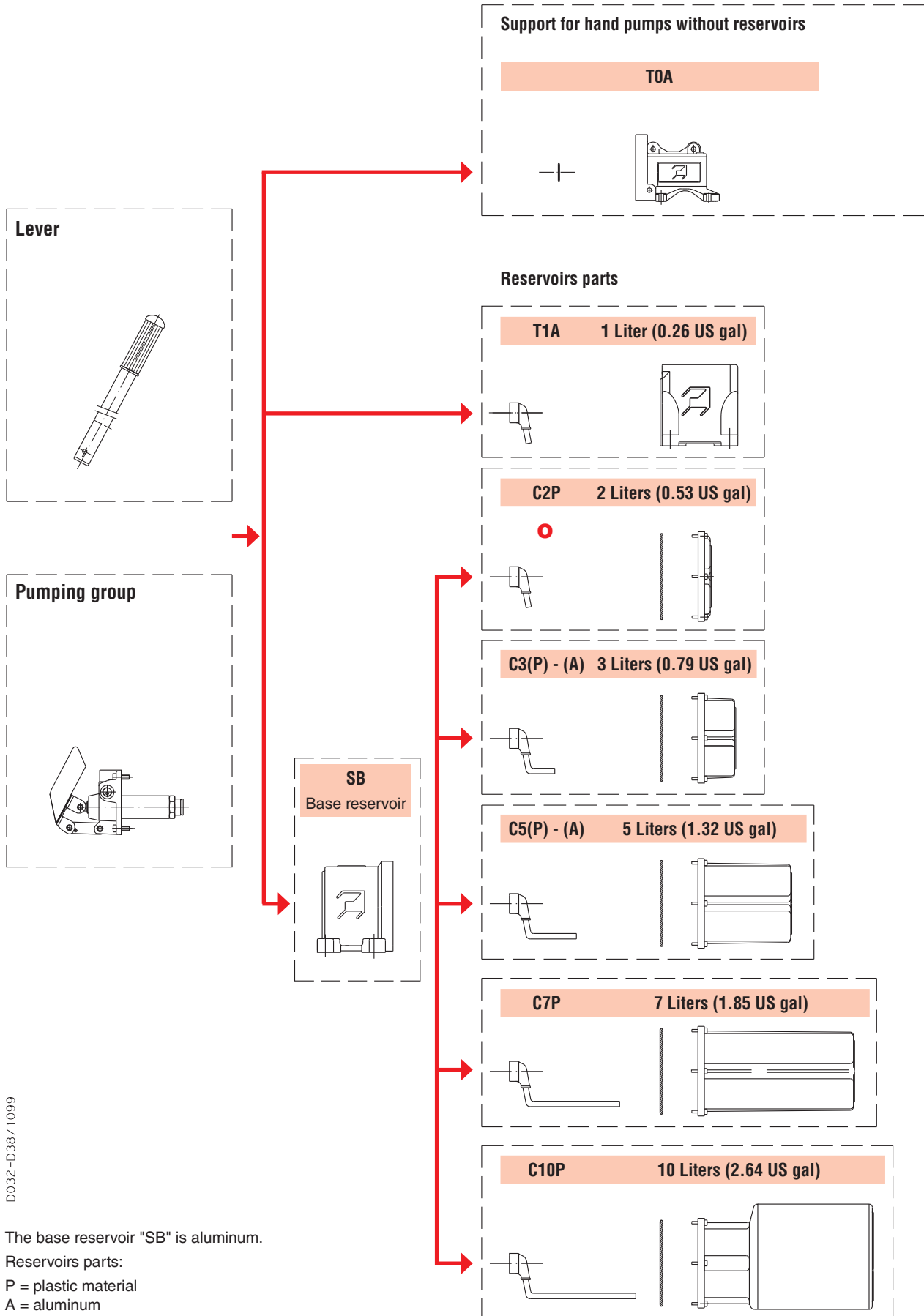
D032-D33/1099

Complete reservoirs:
P = plastic material
A = aluminum



MODULAR DESIGN - RESERVOIRS PARTS

B



D032-D38 / 1099

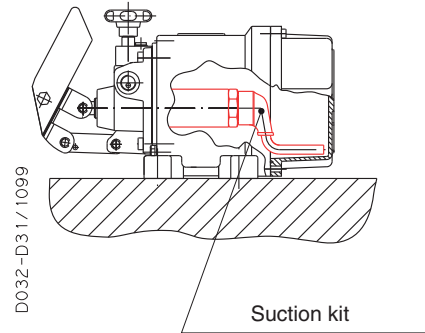
The base reservoir "SB" is aluminum.
Reservoirs parts:
P = plastic material
A = aluminum

MOUNTING POSITION OF PUMPS WITH RESERVOIRS

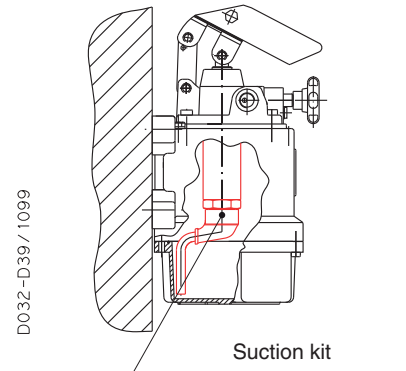
HORIZONTAL AND/OR VERTICAL MOUNTING

Hand pump with **standard** configuration is set with the inlet kit mounted as shown in positions 1 and 2. Such configuration is horizontal or vertical mounting.

POS. 1



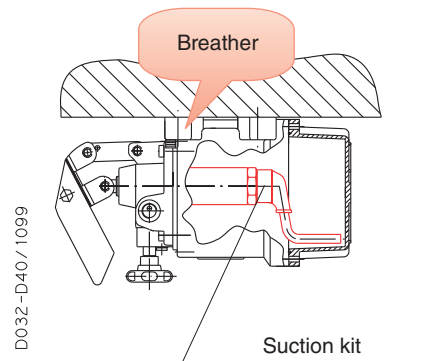
POS. 2



TOP MOUNTING

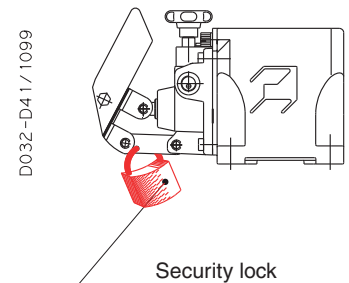
For this mounting the suction kit has to be turned 180° and **the filling plug position has to be switched with the breather**. For the reservoirs 1 ℓ (0.26 US gal) capacity order T1A-SF type.

POS. 3



SECURITY LOCK

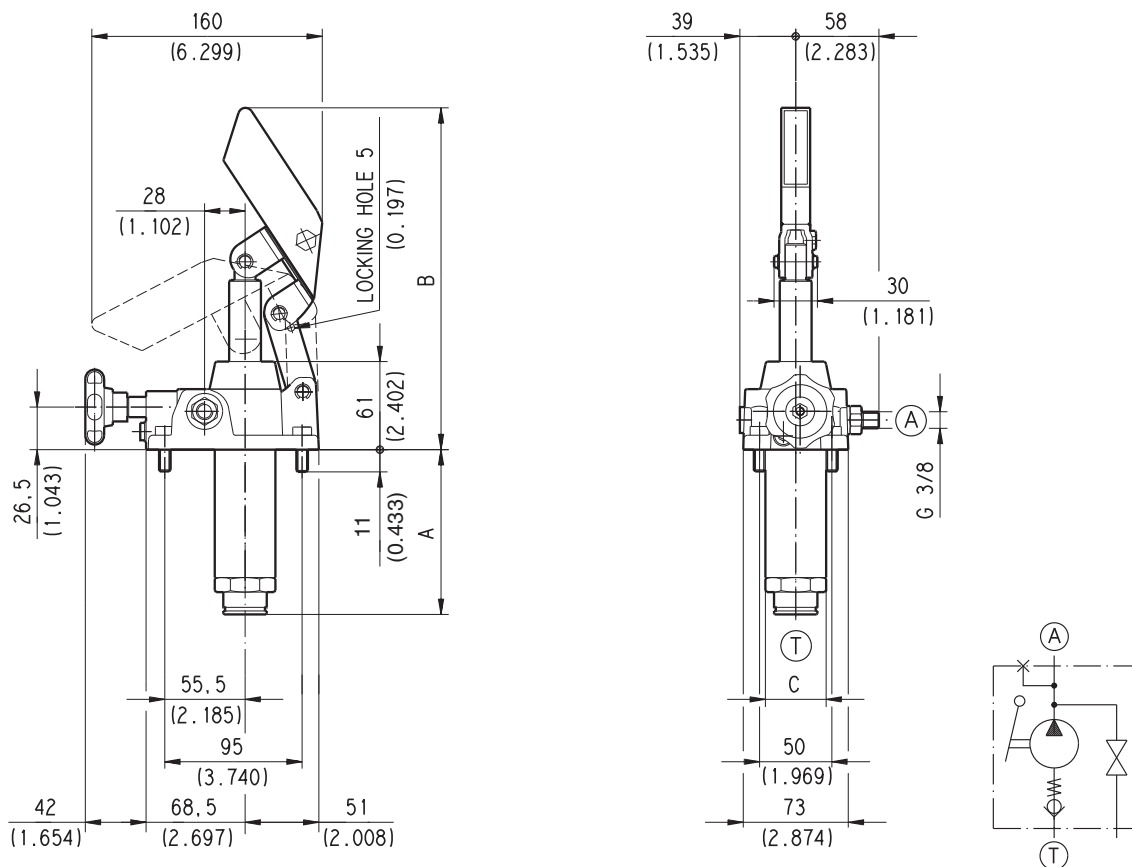
For safety reasons, you may lock the handle in place with a padlock to disable the pump



EP.. S - EP.. S V..

PUMPING GROUP WITH BUILT-IN SHUT-OFF VALVE

D032-D 15 / 1099



Requires the lever code 06004390

How to order	Displacement	Max. pressure	A	B	C	Weight
	cm ³ /cycle (cu in/cycle)	bar (psi)	mm (in)	mm (in)	mm (in)	kg (lbs)
EP 12 S	12 (0.73)	315 (4568)	110 (4.331)	219 (8.622)	35 (1.378)	3,40 (7.5)
EP 25 S	25 (1.53)	250 (3625)	110 (4.331)	229 (9.016)	35 (1.378)	3,40 (7.5)
EP 45 S	45 (2.75)	220 (3190)	114 (4.488)	237 (9.331)	42 (1.654)	3,70 (8.16)

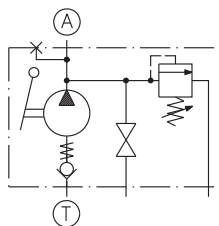
Pumping group with built-in relief valve

How to order

EP 12 S (◆)

EP 25 S (◆)

EP 45 S (◆)

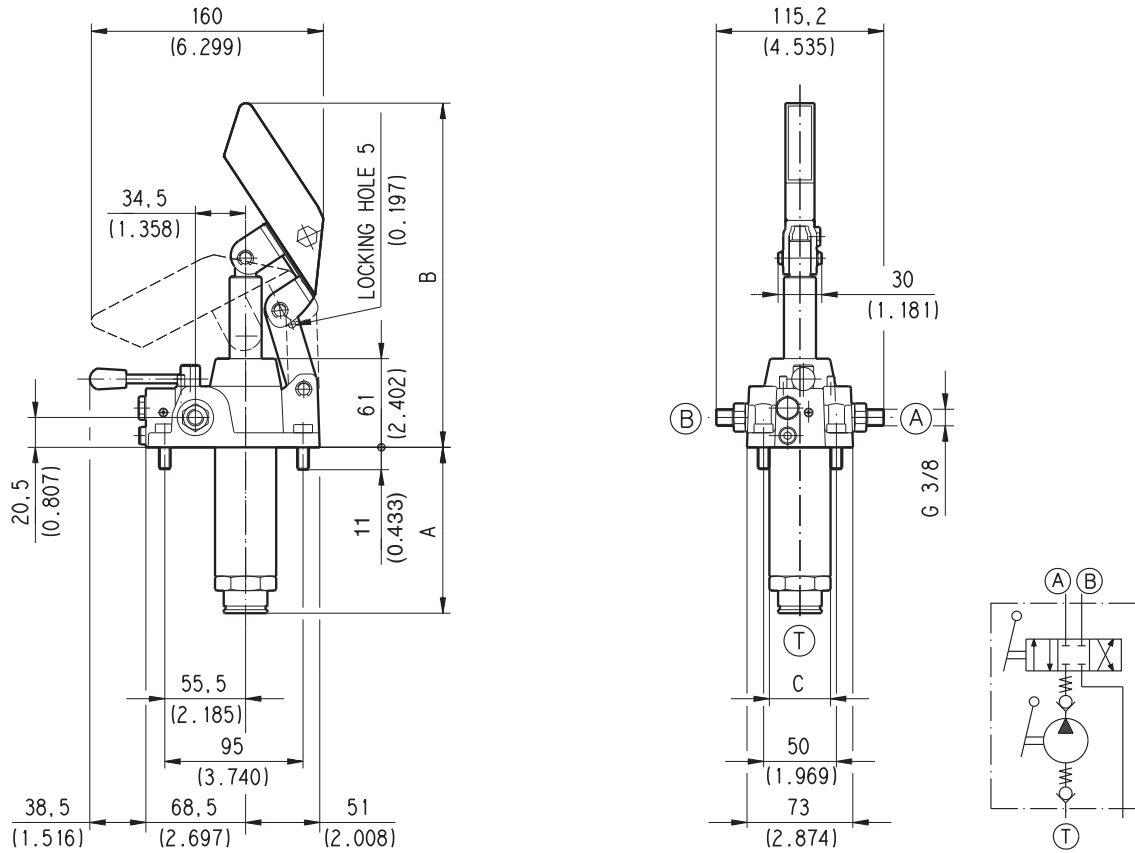


- (◆) **V1** Relief valve setting 0 ÷ 315 bar (0 - 4568 psi) - Standard setting 140 bar (2030 psi)
- (◆) **V3 (...)** On request relief valve setting V3 (...[bar]) max. 315 bar (4568 psi)

EP.. D - EP.. D V..

PUMPING GROUP WITH BUILT-IN 4 WAY AND 3 POSITIONS CONTROL VALVE

D032-D16/1002



Requires the lever code 06004390

How to order	Displacement	Max. pressure	A	B	C	Weight
	cm ³ /cycle (cu in/cycle)	bar (psi)	mm (in)	mm (in)	mm (in)	kg (lbs)
EP 12 D	12 (0.73)	315 (4568)	110 (4.331)	219 (8.622)	35 (1.378)	3,50 (7.72)
EP 25 D	25 (1.53)	250 (3625)	110 (4.331)	229 (9.016)	35 (1.378)	3,50 (7.72)
EP 45 D	45 (2.75)	220 (3190)	114 (4.488)	237 (9.331)	42 (1.654)	3,80 (8.38)

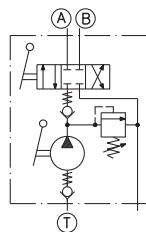
Pumping group with built-in relief valve

How to order

EP 12 D (◆)

EP 25 D (◆)

EP 45 D (◆)

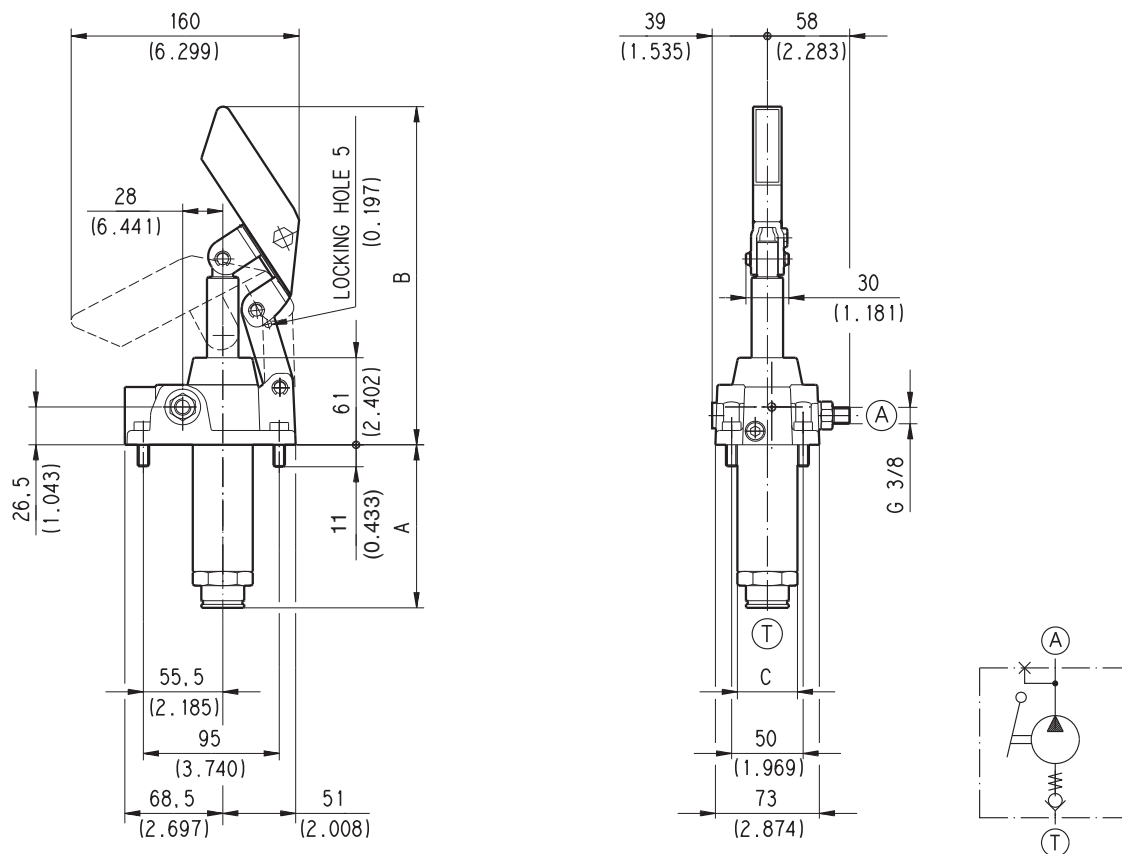


- (◆) **V1** Relief valve setting 0 ÷ 315 bar (0 - 4568 psi) - Standard setting 140 bar (2030 psi)
- (◆) **V3 (...)** On request relief valve setting V3 (...[bar]) max. 315 bar (4568 psi)

EP.. W

PUMPING GROUP WITHOUT SHUT-OFF VALVE

D032-D28/1099

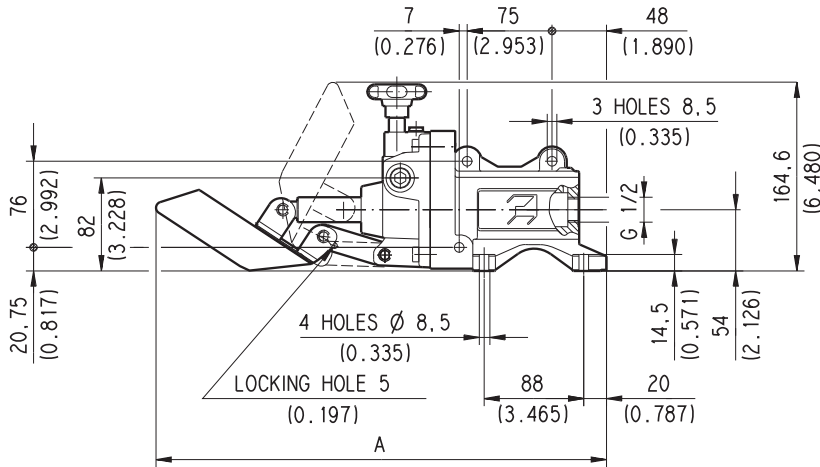


Requires the lever code 06004390

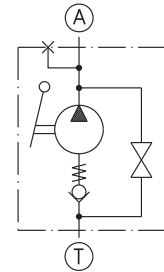
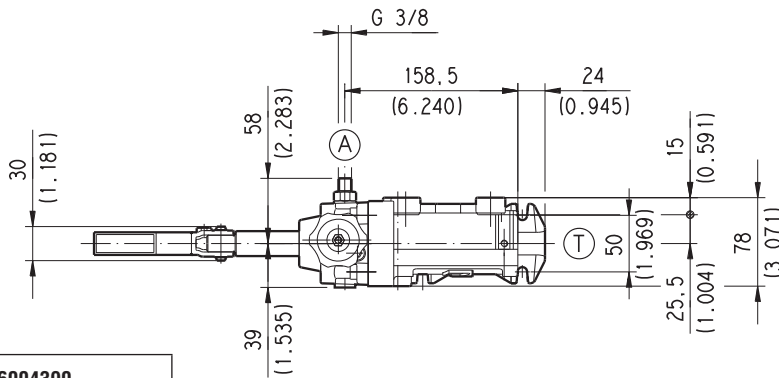
How to order	Displacement	Max. pressure	A	B	C	Weight
	cm ³ /cycle (cu in/cycle)	bar (psi)	mm (in)	mm (in)	mm (in)	kg (lbs)
EP 12 W	12 (0.73)	315 (4568)	110 (4.331)	219 (8.622)	35 (1.378)	3,20 (7.06)
EP 25 W	25 (1.53)	250 (3625)	110 (4.331)	229 (9.016)	35 (1.378)	3,20 (7.06)
EP 45 W	45 (2.75)	220 (3190)	114 (4.488)	237 (9.331)	42 (1.654)	3,50 (7.72)

EP.. S/TOA - EP.. S V../TOA

HAND PUMP WITHOUT RESERVOIR WITH BUILT-IN SHUT-OFF VALVE



D032-D17/1099



Requires the lever code 06004390

How to order	Displacement	Max. pressure	A	Weight
	cm ³ /cycle (cu in/cycle)	bar (psi)	mm (in)	kg (lbs)
EP 12 S/TOA	12 (0.73)	315 (4568)	375 (14.764)	4,70 (10.36)
EP 25 S/TOA	25 (1.53)	250 (3625)	385 (15.157)	4,70 (10.36)
EP 45 S/TOA	45 (2.75)	220 (3190)	393 (15.472)	5,00 (11.03)

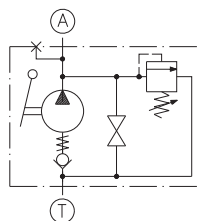
Pumping group with built-in relief valve

How to order

EP 12 S (◆)/TOA

EP 25 S (◆)/TOA

EP 45 S (◆)/TOA

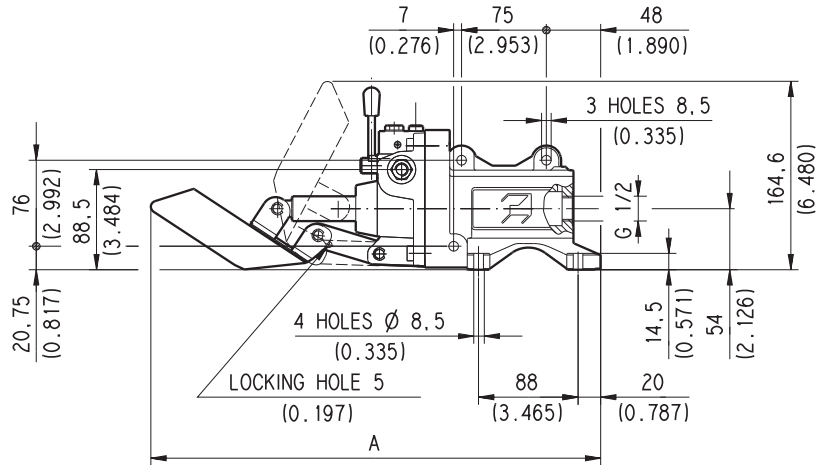


(◆) **V1** Relief valve setting 0 ÷ 315 bar (0 - 4568 psi) - Standard setting 140 bar (2030 psi)
V3 (...) On request relief valve setting V3 (...[bar]) max. 315 bar (4568 psi)

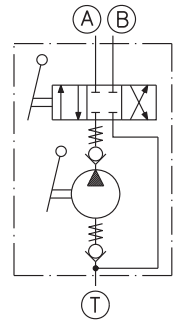
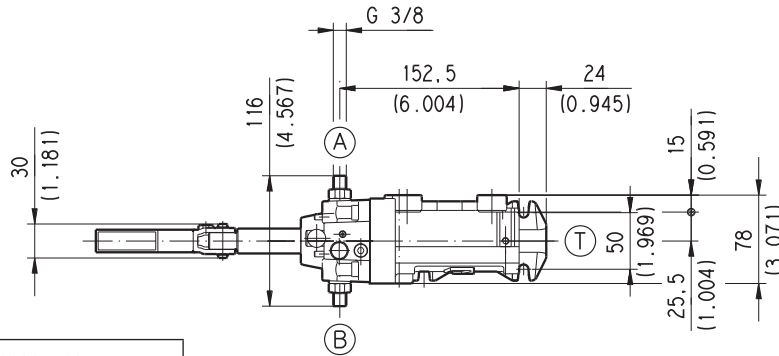
EP.. D/TOA - EP.. D V../TOA

**HAND PUMP WITHOUT RESERVOIR WITH BUILT-IN
4 WAY AND 3 POSITIONS CONTROL VALVE**

Available version L (A) plugged



D032-D18/1002



Requires the lever code 06004390

How to order	Displacement	Max. pressure	A	Weight
	cm ³ /cycle (cu in/cycle)	bar (psi)	mm (in)	kg (lbs)
EP 12 D/TOA	12 (0.73)	315 (4568)	375 (14.764)	4,80 (10.58)
EP 25 D/TOA	25 (1.53)	250 (3625)	385 (15.157)	4,80 (10.58)
EP 45 D/TOA	45 (2.75)	220 (3190)	393 (15.472)	5,10 (11.25)

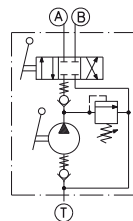
Pumping group with built-in relief valve

How to order

EP 12 D (◆)/TOA

EP 25 D (◆)/TOA

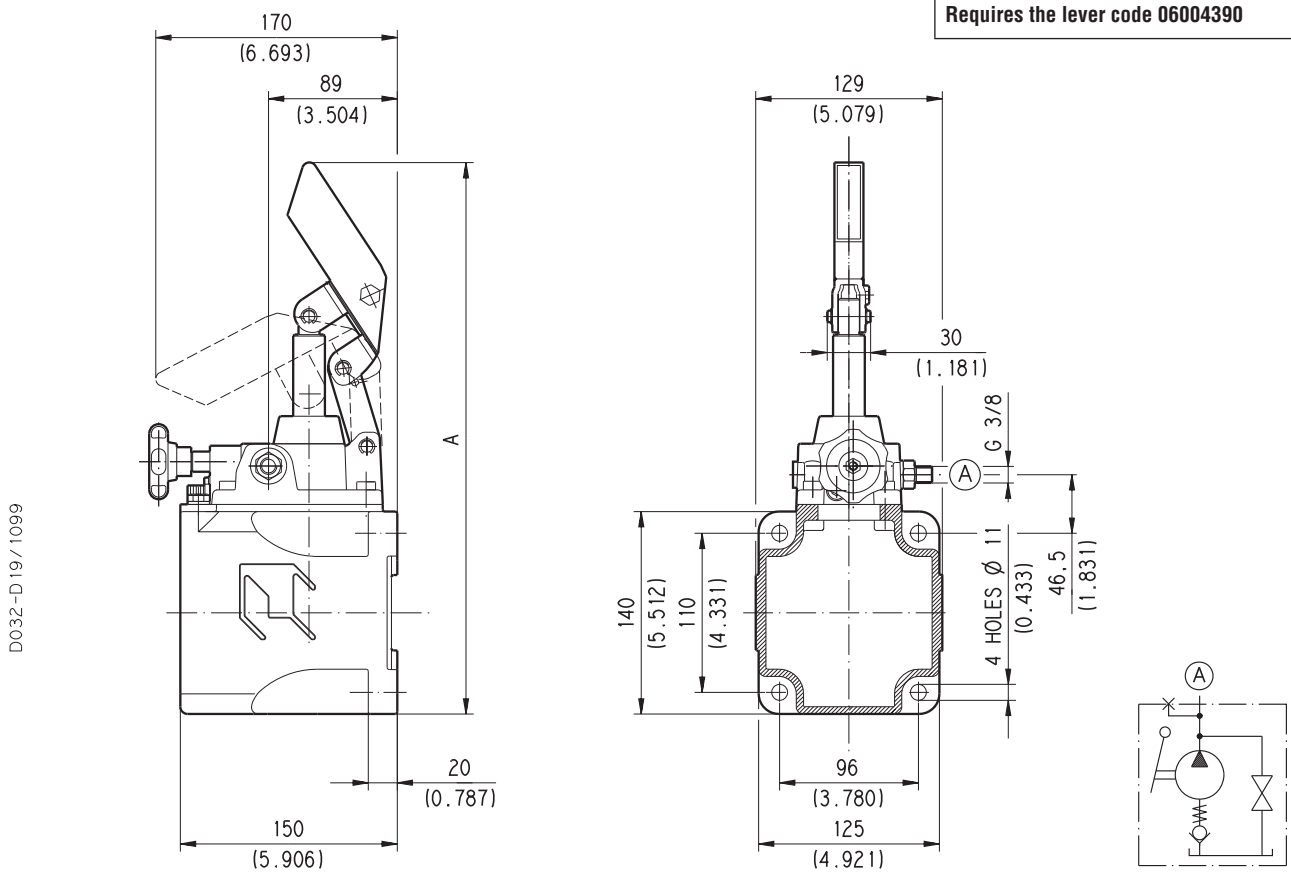
EP 45 D (◆)/TOA



(◆)	V1	Relief valve setting 0 ÷ 315 bar (0 - 4568 psi) - Standard setting 140 bar (2030 psi)
	V3 (...)	On request relief valve setting V3 (...[bar]) max. 315 bar (4568 psi)

EP.. S/T1A - EP.. S V../T1A

**HAND PUMP WITH RESERVOIR 1 LITER CAPACITY
WITH BUILT-IN SHUT-OFF VALVE**



How to order	Displacement	Max. pressure	A	Weight
	cm ³ /cycle (cu in/cycle)	bar (psi)	mm (in)	kg (lbs)
EP 12 S/T1A	12 (0.73)	315 (4568)	364 (14.331)	5,00 (11.03)
EP 25 S/T1A	25 (1.53)	250 (3625)	374 (14.724)	5,00 (11.03)
EP 45 S/T1A	45 (2.75)	220 (3190)	382 (15.039)	5,30 (11.69)

Pumping group with built-in relief valve

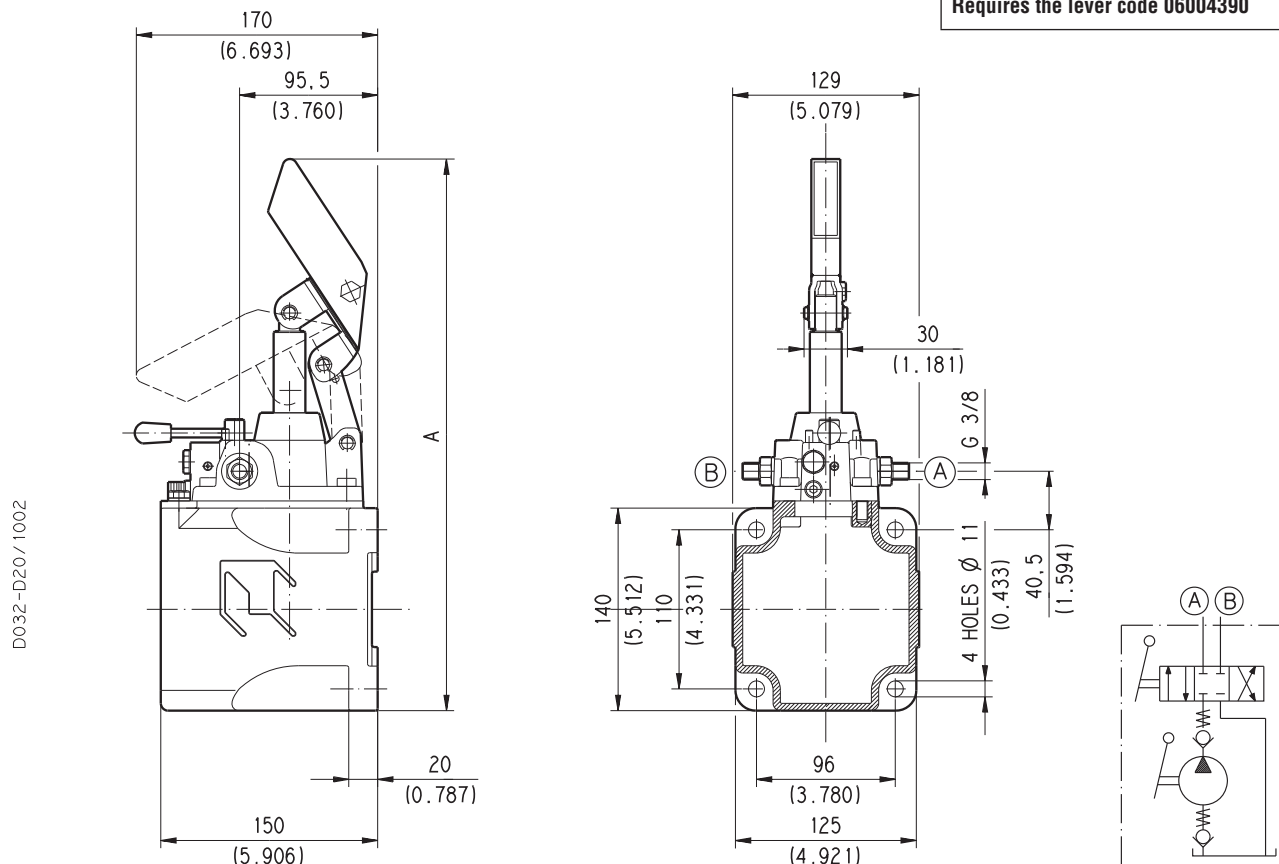
How to order		
EP 12 S (◆) /T1A		Relief valve setting 0 ÷ 315 bar (0 - 4568 psi) - Standard setting 140 bar (2030 psi)
EP 25 S (◆) /T1A		
EP 45 S (◆) /T1A		
(◆) V1		On request relief valve setting V3 (...[bar]) max. 315 bar (4568 psi)
(◆) V3 (...)		

The reservoir is available only in aluminum.

EP.. D/T1A - EP.. D V../T1A

**HAND PUMP WITH RESERVOIR 1 LITER CAPACITY
WITH BUILT-IN 4 WAY AND 3 POSITIONS CONTROL VALVE**

Requires the lever code 06004390



How to order	Displacement	Max. pressure	A	Weight
	cm ³ /cycle (cu in/cycle)	bar (psi)	mm (in)	kg (lbs)
EP 12 D/T1A	12 (0.73)	315 (4568)	364 (14.331)	5,10 (11.25)
EP 25 D/T1A	25 (1.53)	250 (3625)	374 (14.724)	5,10 (11.25)
EP 45 D/T1A	45 (2.75)	220 (3190)	382 (15.039)	5,40 (11.91)

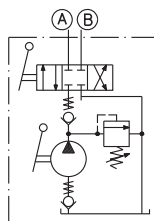
Pumping group with built-in relief valve

How to order

EP 12 D (◆)/T1A

EP 25 D (◆)/T1A

EP 45 D (◆)/T1A

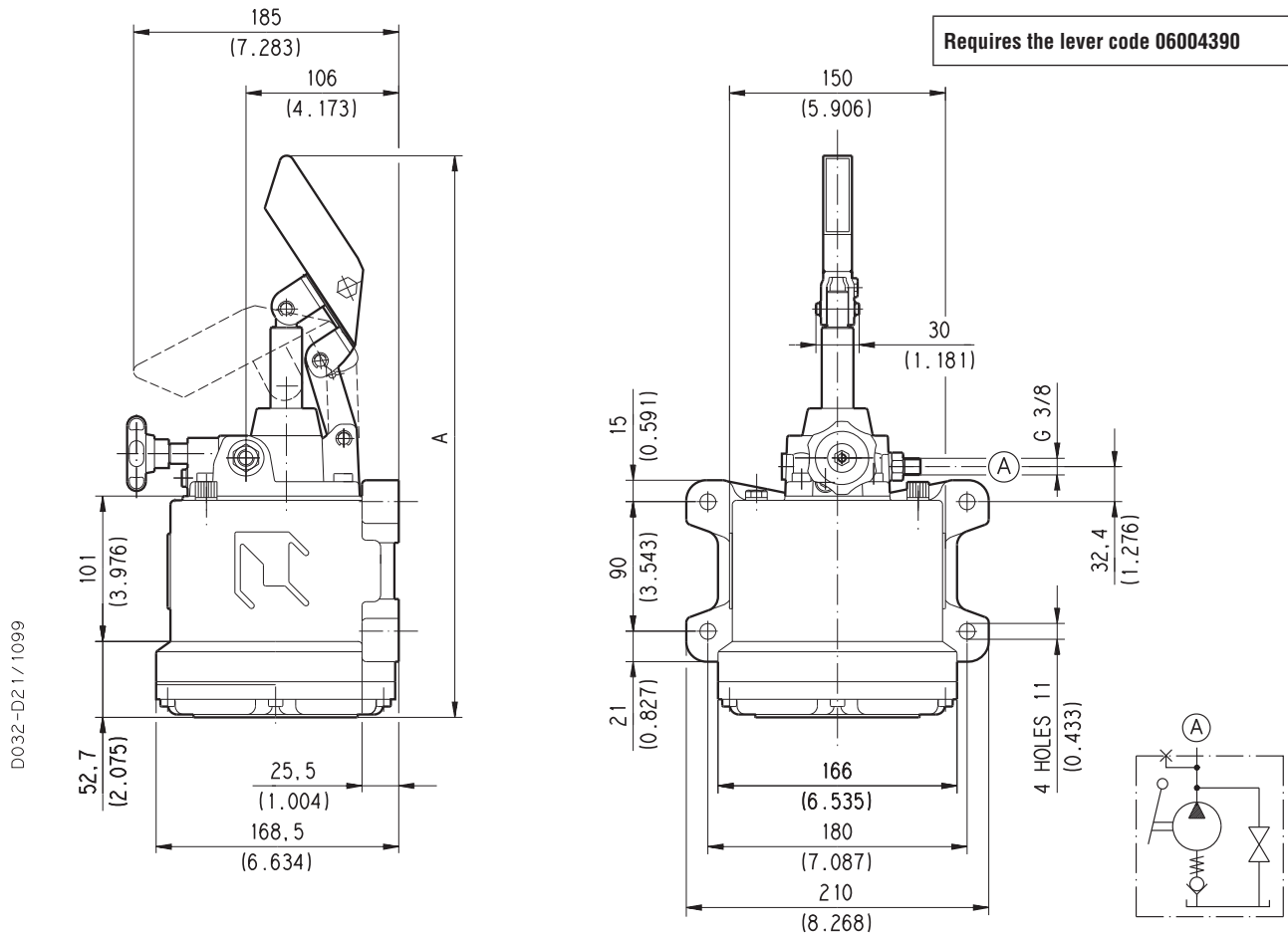


(◆) **V1** Relief valve setting 0 ÷ 315 bar (0 - 4568 psi) - Standard setting 140 bar (2030 psi)
V3 (...) On request relief valve setting V3 (...[bar]) max. 315 bar (4568 psi)

The reservoir is available only in aluminum.

EP.. S/T2P - EP.. S V../T2P

**HAND PUMP WITH RESERVOIR 2 LITERS CAPACITY
WITH BUILT-IN SHUT-OFF VALVE**



How to order	Displacement	Max. pressure	A	Weight
	cm ³ /cycle (cu in/cycle)	bar (psi)	mm (in)	kg (lbs)
EP 12 S/T2P	12 (0.73)	315 (4568)	374,7 (14.752)	5,90 (13.01)
EP 25 S/T2P	25 (1.53)	250 (3625)	384,7 (15.146)	5,90 (13.01)
EP 45 S/T2P	45 (2.75)	220 (3190)	392,7 (15.461)	6,20 (13.67)

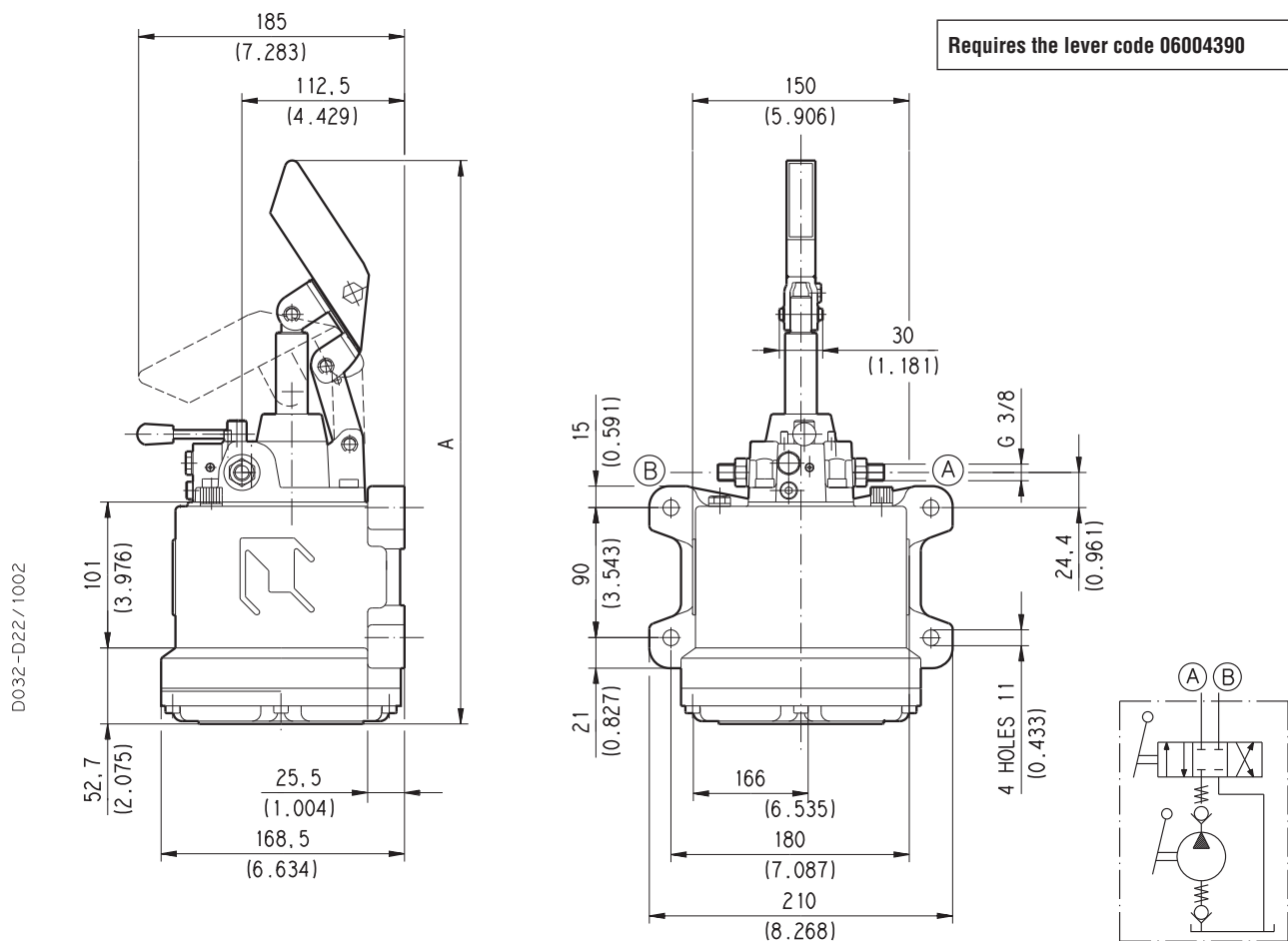
Pumping group with built-in relief valve

How to order		
EP 12 S (◆) /T2P		
EP 25 S (◆) /T2P		
EP 45 S (◆) /T2P		
(◆)	V1	Relief valve setting 0 ÷ 315 bar (0 - 4568 psi) - Standard setting 140 bar (2030 psi)
	V3 (...)	On request relief valve setting V3 (...[bar]) max. 315 bar (4568 psi)

The reservoir is available only in plastic P material (dimensions on page 19).

EP.. D/T2P - EP.. D V../T2P

**HAND PUMP WITH RESERVOIR 2 LITERS CAPACITY
WITH BUILT-IN 4 WAY AND 3 POSITIONS CONTROL VALVE**



How to order	Displacement	Max. pressure	A	Weight
	cm ³ /cycle (cu in/cycle)	bar (psi)	mm (in)	kg (lbs)
EP 12 D/T2P	12 (0.73)	315 (4568)	374,7 (14.752)	6,00 (13.23)
EP 25 D/T2P	25 (1.53)	250 (3625)	384,7 (15.146)	6,00 (13.23)
EP 45 D/T2P	45 (2.75)	220 (3190)	392,7 (15.461)	6,30 (13.89)

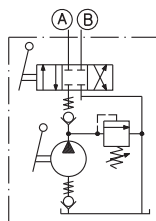
Pumping group with built-in relief valve

How to order

EP 12 D (◆)/T2P

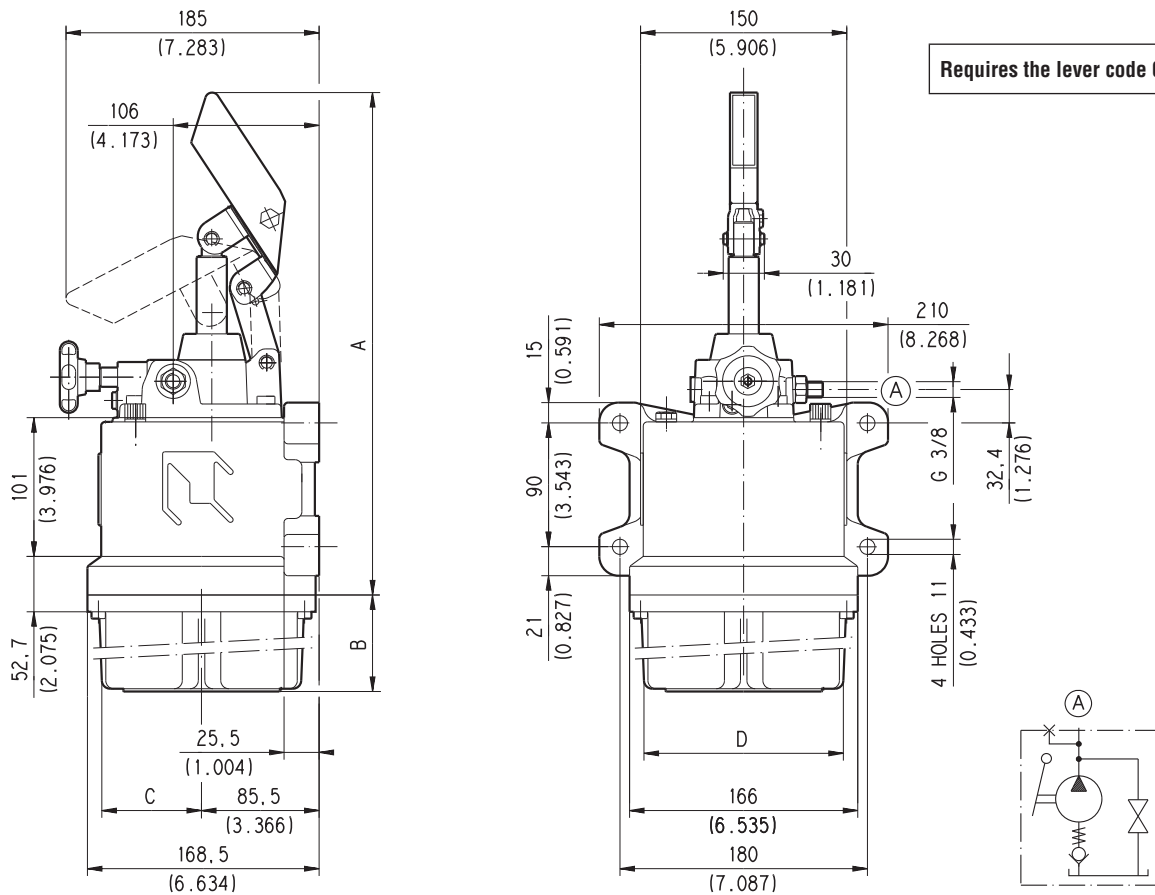
EP 25 D (◆)/T2P

EP 45 D (◆)/T2P



(◆) **V1** Relief valve setting 0 ÷ 315 bar (0 - 4568 psi) - Standard setting 140 bar (2030 psi)
V3 (...) On request relief valve setting V3 (...[bar]) max. 315 bar (4568 psi)

The reservoir is available only in plastic P material (dimensions on page 19).

EP.. S/T..P - EP.. S V../T..P
**HAND PUMP WITH RESERVOIR 3-5-7-10 LITERS
CAPACITY WITH BUILT-IN SHUT-OFF VALVE**


D032-D23/1099

How to order	Displacement cm ³ /cycle (cu in/cycle)	Max. pressure bar (psi)	A mm (in)	Weight (kg) [lbs]					
				T3P	T3A	T5P	T5A	T7P	T10P
EP 12..	12 (0.73)	315 (4568)	350 (13.780)	6,00 (13.23)	6,80 (14.99)	6,20 (13.67)	7,50 (16.54)	6,50 (14.33)	7,30 (16.10)
EP 25..	25 (1.53)	250 (3625)	360 (14.173)	6,00 (13.23)	6,80 (14.99)	6,20 (13.67)	7,50 (16.54)	6,50 (14.33)	7,30 (16.10)
EP 45..	45 (2.75)	220 (3190)	368 (14.488)	6,30 (13.89)	7,10 (15.66)	6,50 (14.33)	7,80 (17.20)	6,80 (14.99)	7,60 (16.76)

Reservoir

	Capacity	3 [ℓ] - 0.79 [US gal]		5 [ℓ] - 1.32 [US gal]		7 [ℓ] - 1.85 [US gal]		10 [ℓ] - 2.64 [US gal]	
		Material	Plastic	Aluminum	Plastic	Aluminum	Plastic	Plastic	
B	mm (in)	70 (2.756)	72,5 (2.854)	174 (6.850)	185 (7.284)	290 (11.417)	275 (10.827)		
C	mm (in)	72,25 (2.844)	67,5 (2.658)	72,25 (2.844)	67,5 (2.658)	72,25 (2.844)	112 (4.409)		
D	mm (in)	144,5 (5.689)	135 (5.315)	144,5 (5.689)	135 (5.315)	144,5 (5.689)	208 (8.189)		

Hand pump with reservoir

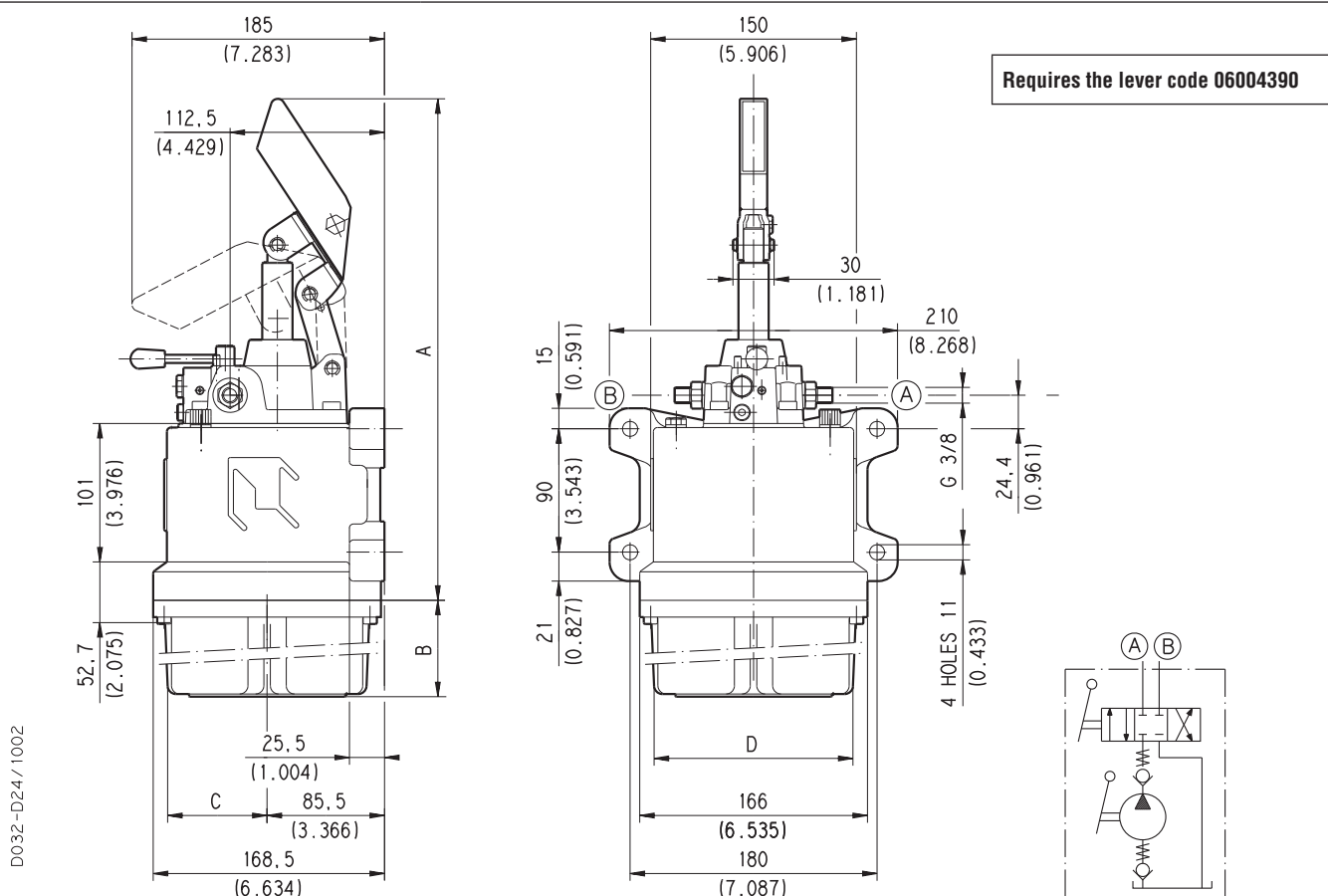
EP 12 S/...	T3P	T3A	T5P	T5A	T7P	T10P
EP 25 S/...	T3P	T3A	T5P	T5A	T7P	T10P
EP 45 S/...	T3P	T3A	T5P	T5A	T7P	T10P

Hand pump with reservoir and relief valve

EP 12 S (◆)/...	T3P	T3A	T5P	T5A	T7P	T10P
EP 25 S (◆)/...	T3P	T3A	T5P	T5A	T7P	T10P
EP 45 S (◆)/...	T3P	T3A	T5P	T5A	T7P	T10P

 (◆) **V1**: Relief valve setting 0 ÷ 315 bar (0 - 4568 psi) - Standard setting 140 bar (2030 psi)

V3 (...[bar]): On request valve setting max. 315 bar 4568 (psi)

EP.. D/T..P - EP.. D V../T..P
HAND PUMP WITH RESERVOIR 3-5-7-10 LITERS CAPACITY WITH BUILT-IN 4 WAY AND 3 POSITIONS CONTROL VALVE


D032-D24/1002

How to order	Displacement cm ³ /cycle (cu in/cycle)	Max. pressure bar (psi)	A mm (in)	Weight (kg) [lbs]					
				T3P	T3A	T5P	T5A	T7P	T10P
EP 12..	12 (0.73)	315 (4568)	350 (13.780)	6,10 (13.45)	6,90 (15.21)	6,30 (13.89)	7,60 (16.76)	6,60 (14.55)	7,40 (16.32)
EP 25..	25 (1.53)	250 (3625)	360 (14.173)	6,10 (13.45)	6,90 (15.21)	6,30 (13.89)	7,60 (16.76)	6,60 (14.55)	7,40 (16.32)
EP 45..	45 (2.75)	220 (3190)	368 (14.488)	6,40 (14.11)	7,20 (15.88)	6,60 (14.55)	7,90 (17.42)	6,90 (15.21)	7,70 (16.98)

Reservoir

	Capacity	3 [ℓ] - 0.79 [US gal]		5 [ℓ] - 1.32 [US gal]		7 [ℓ] - 1.85 [US gal]		10 [ℓ] - 2.64 [US gal]	
		Material	Plastic	Aluminum	Plastic	Aluminum	Plastic	Plastic	
B	mm (in)	70 (2.756)	72,5 (2.854)	174 (6.850)	185 (7.284)	290 (11.417)	275 (10.827)		
C	mm (in)	72,25 (2.844)	67,5 (2.658)	72,25 (2.844)	67,5 (2.658)	72,25 (2.844)	112 (4.409)		
D	mm (in)	144,5 (5.689)	135 (5.315)	144,5 (5.689)	135 (5.315)	144,5 (5.689)	208 (8.189)		

Hand pump with reservoir

EP 12 D/...	T3P	T3A	T5P	T5A	T7P	T10P
EP 25 D/...	T3P	T3A	T5P	T5A	T7P	T10P
EP 45 D/...	T3P	T3A	T5P	T5A	T7P	T10P

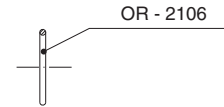
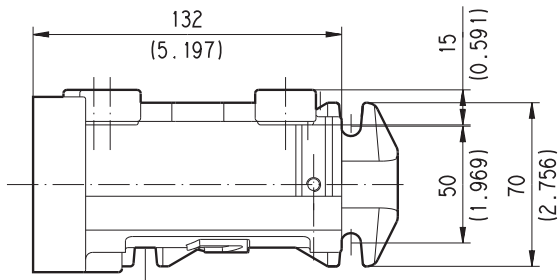
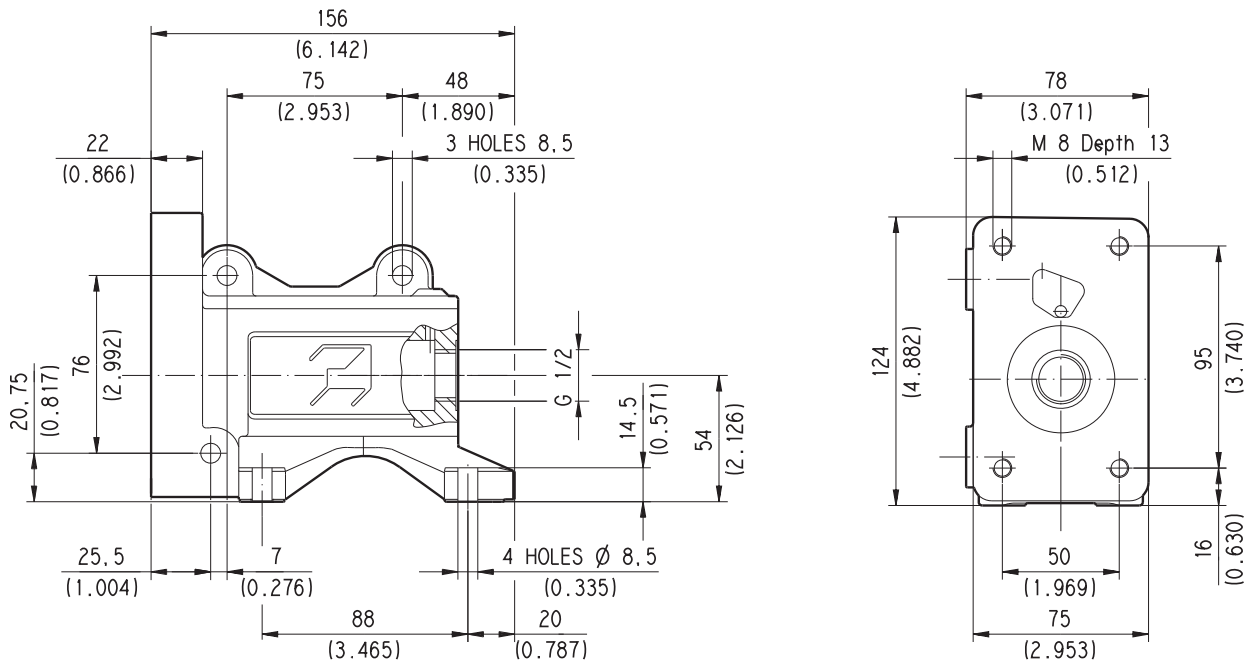
Hand pump with reservoir and relief valve

EP 12 D (◆)/...	T3P	T3A	T5P	T5A	T7P	T10P
EP 25 D (◆)/...	T3P	T3A	T5P	T5A	T7P	T10P
EP 45 D (◆)/...	T3P	T3A	T5P	T5A	T7P	T10P

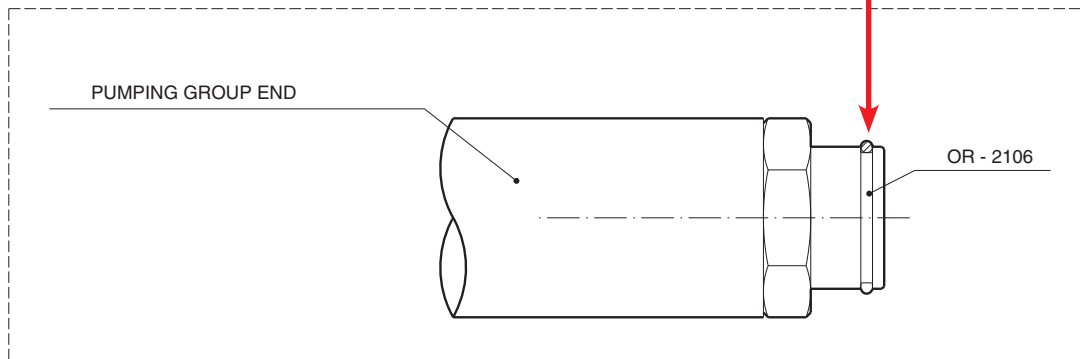
 (◆) **V1**: Relief valve setting 0 ÷ 315 bar (0 - 4568 psi) - Standard setting 140 bar (2030 psi)

V3 (...[bar]): On request valve setting max. 315 bar 4568 (psi)

SUPPORT FOR HAND PUMPS WITHOUT RESERVOIR



Assemble the OR - 2106 to the pumping group end.

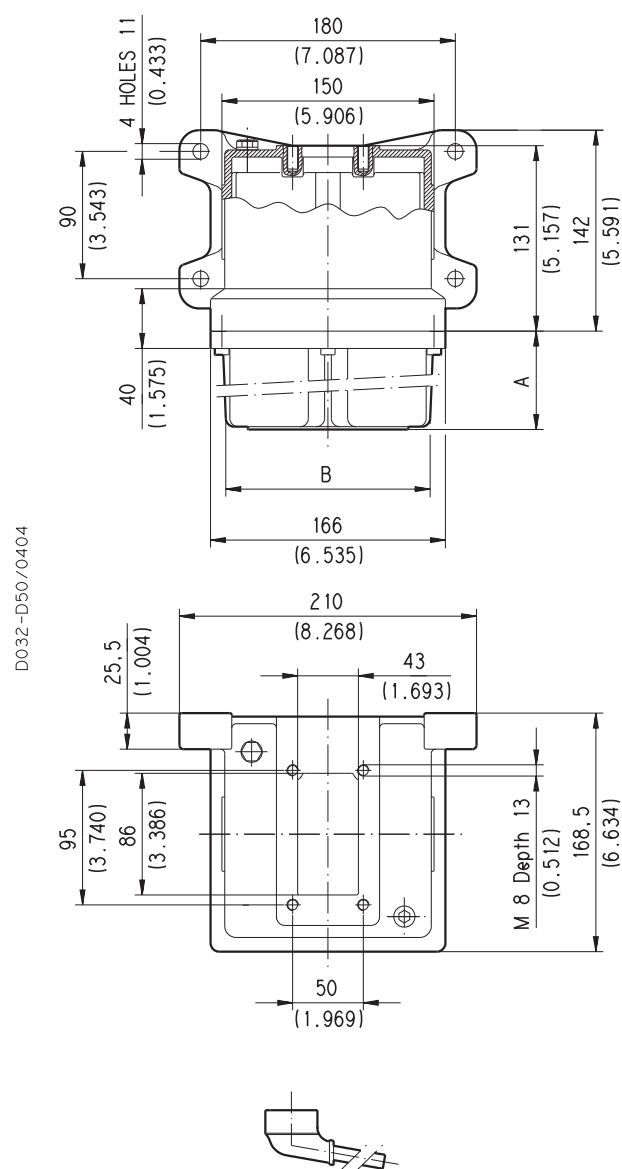
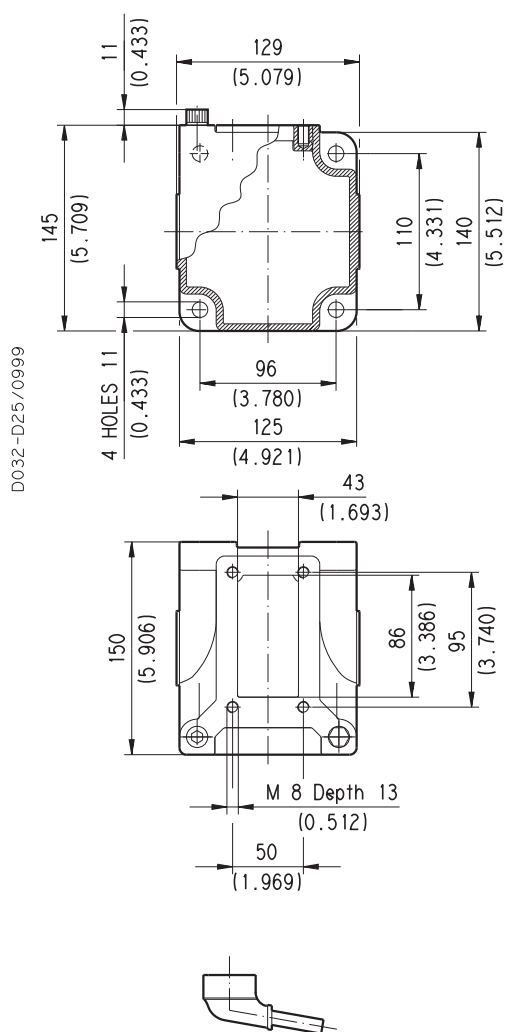


D032-D29/0999

How to order (●)	Material	Weight
TOA	Aluminum	kg (lbs)
		1,30 (2.87)

(●) The ordering code includes the O-Ring seal.

RESERVOIRS 1 - 2 - 3 - 5 - 7 LITERS CAPACITY



Material	Weight	
	kg	(lbs)
Aluminum	1,60	(3.53)

How to order (●)	Reservoir capacity	
	[ℓ]	(US gal)
T1A	1	(0.26)

(●) The ordering code includes the suction kit.

For top mounting order reservoir code T1A-SF.

How to order (■)	C.ty [ℓ] (US gal)	A		B		Weight	
		Plast.	Alum.	Plast.	Alum.	Plast.	Alum.
		mm (in)	mm (in)	mm (in)	mm (in)	kg (lbs)	kg (lbs)
T2 (◆)	2 (0.53)	24,7 (0,972)	9,5 (0.374)	144,5 (5.68)	135 (5.315)	2,50 (5.51)	3,00 (6.62)
T3 P	3 (0.79)	70 (2.756)	72,5 (2.854)	144,5 (5.689)	135 (5.315)	2,60 (5.73)	3,40 (7.50)
T5 A	5 (1.32)	174 (6.850)	185 (7.284)	144,5 (5.689)	135 (5.315)	2,80 (6.17)	4,10 (9.04)
T7 (◆)	7 (1.85)	290 (11.417)	322,5 (12.697)	144,5 (5.689)	135 (5.315)	3,10 (6.84)	5,30 (11.69)

(■) The ordering code includes the suction kit.

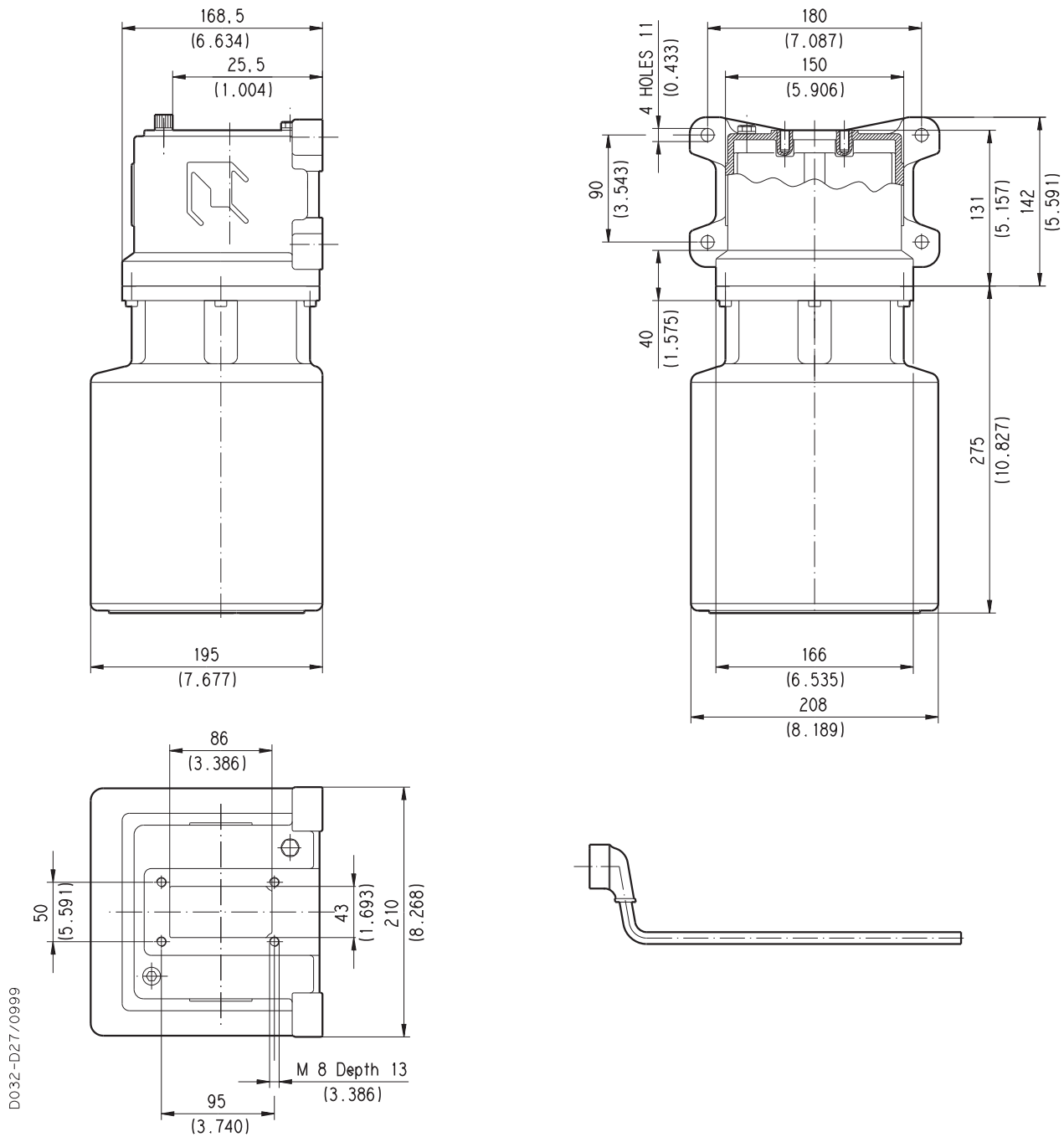
The base reservoir "SB" is aluminum, the cover is available in plastic or aluminum.

(◆) Available only in plastic material.

Order example of 5 liters reservoir in plastic material: T5P.

To order the reservoir in aluminum replace the letter P with A: T5A

RESERVOIR 10 LITERS CAPACITY



D032-D27/0999

How to order (●)	Material	Reservoir capacity	Weight
		[ℓ] (US gal)	kg (lbs)
T10P	Plastic	10 (2.64)	3,90 (8.60)

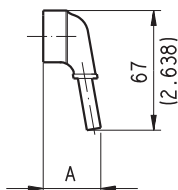
(●) The ordering code includes the suction kit.

(●) The base reservoir "SB" is aluminum, the cover is available only in plastic material.

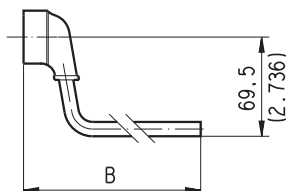
KIT AND ACCESSORIES

SUCTION KIT

D032-D35/0999



D032-D34/0999

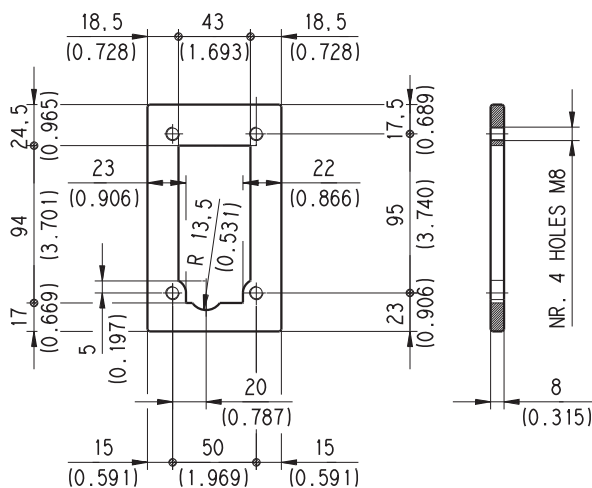


Reservoir capacity	How to order kit (●)	A	B
		mm (in)	mm (in)
1 [ℓ] 0.26 [US gal]	KT 02	41	
2 [ℓ] 0.53 [US gal]		(1.614)	
3 [ℓ] 0.79 [US gal]	KT 03		91 (3.583)
5 [ℓ] 1.39 [US gal]	KT 05		194 (7.638)
7 [ℓ] 1.85 [US gal]	KT 07		311
10 [ℓ] 2.64 [US gal]			(12.244)

(●) The kit is complete with strainer.

MOUNTING FLANGE FOR ATTACHING THE PUMPING GROUP TO A CUSTOMER RESERVOIR

D032-D36/0999

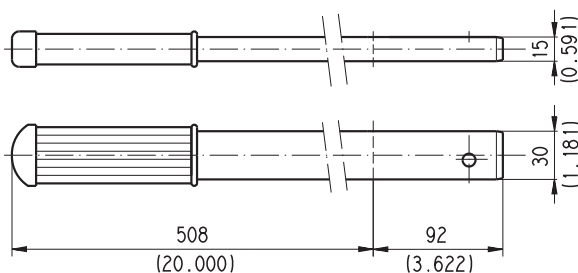


How to order

06004395

LEVER

D032-D37/0999



How to order (●)

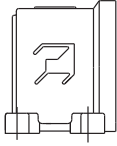
06004390

(●) Different length lever are available on request.

KIT AND ACCESSORIES

BASE RESERVOIR

D032-D45/0999



How to order	Material
SB	Aluminum

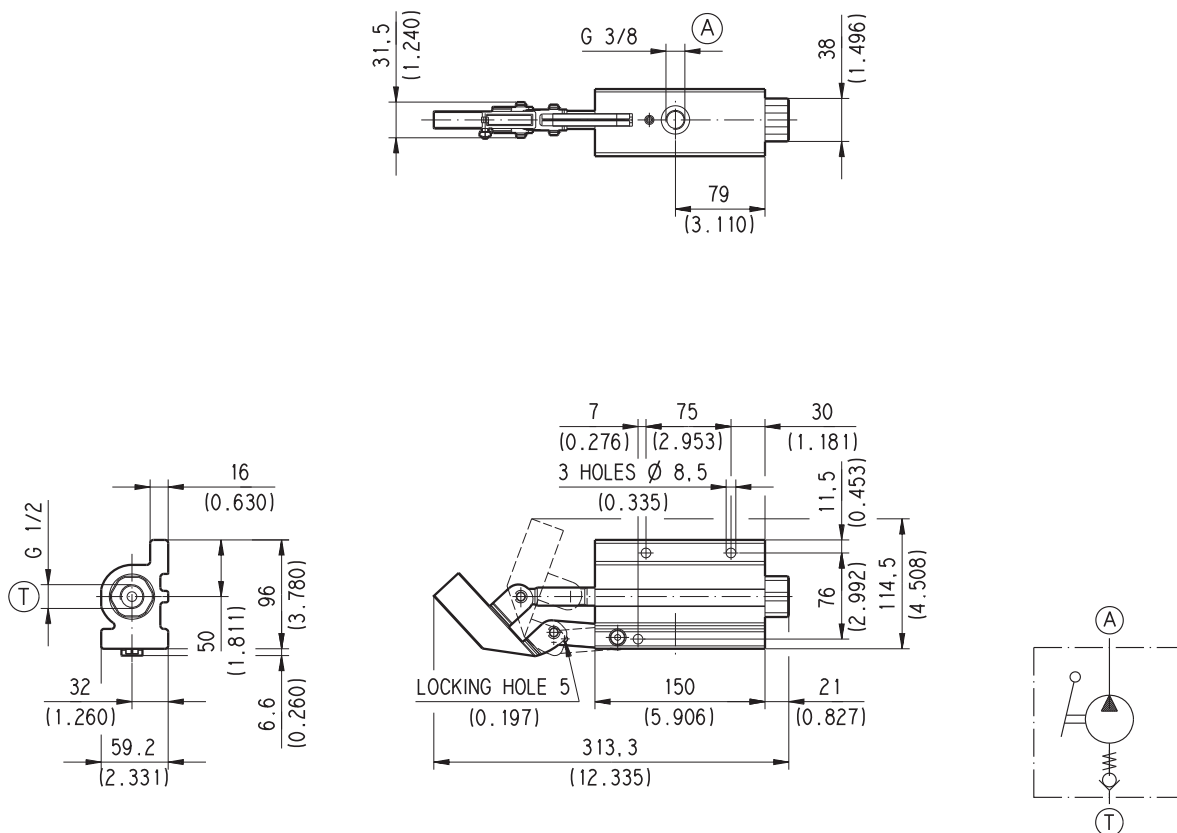
COVER KIT FOR RESERVOIR (cover, gasket, screws and suction kit)

Reservoir capacity [ℓ] (US gal)	How to order	
	Material	
	Plastic	Aluminum
2 (0.53)	C2P D032-D44/0404 	
3 (0.79)	C3P D032-D46/0404 	C3A D032-D56/0404
5 (1.32)	C5P D032-D47/0404 	C5A D032-D57/0404
7 (1.85)	C7P D032-D48/0404 	
10 (2.64)	C10P D032-D49/0404 	

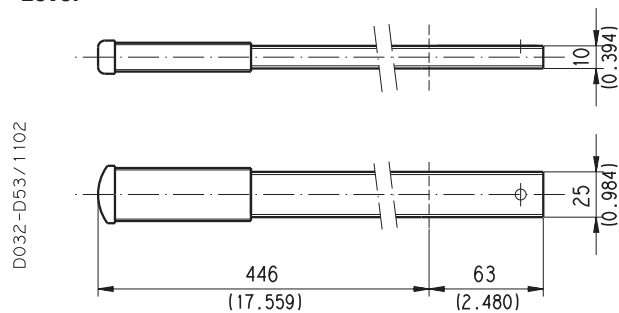
EP 25 W/TXA - EP 25 W-../TXA

HAND PUMPS WITHOUT RESERVOIRS WITH ALUMINIUM BODY SIMPLIFIED VERSION

D032-D51/1102



Lever



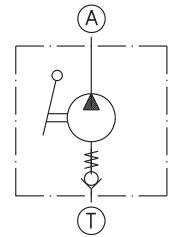
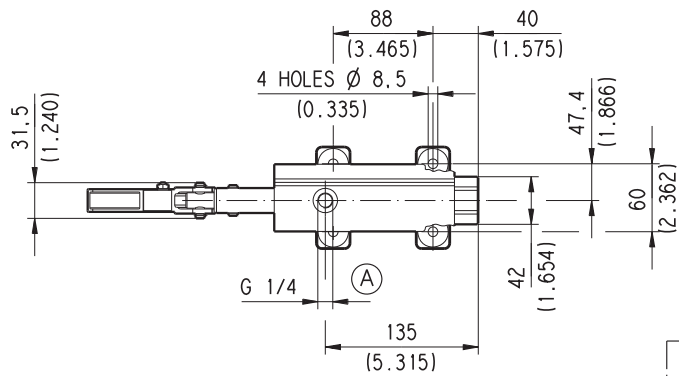
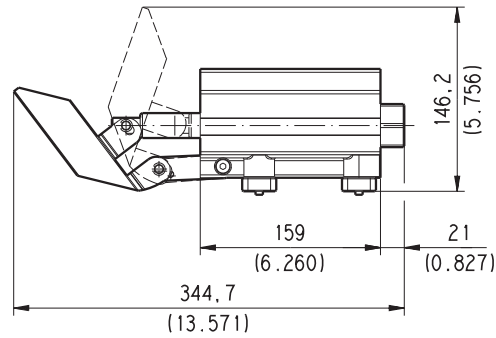
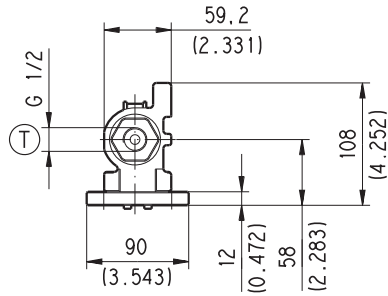
How to order (●)
06004392

(●) Different lenght lever are available on request.

How to order	Displacement cm ³ /cycle (cu in/cycle)	Max. pressure bar (psi)	Weight kg (lbs)
EP 25 W/TXA	25 (1.53)	250 (3625)	2,36 (5.20)
EP 25 W/TXA	Standard - Body without treatment		
EP 25 W - R/TXA	Body with anodizing red		
EP 25 W - B/TXA	Body with anodizing black		

EP 45 W/TXA - EP 45 W-../TXA

HAND PUMPS WITHOUT RESERVOIRS WITH ALUMINIUM BODY SIMPLIFIED VERSION



D032-D52/1102

Requires the lever code 06004390

How to order	Displacement cm ³ /cycle (cu in/cycle)	Max. pressure bar (psi)	Weight kg (lbs)
EP 45 W/TXA	45 (2.75)	220 (3190)	3,00 (6.62)
EP 45 W/TXA	Standard - Body without treatment		
EP 45 W - R/TXA	Body with anodizing red		
EP 45 W - B/TXA	Body with anodizing black		

Our policy is one of continuous improvement in product. Specification of items may, therefore, be changed without notice.

