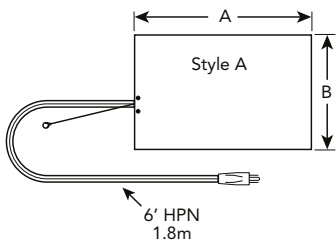


# Battery Heating Pads

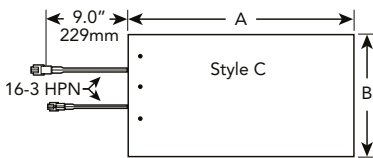
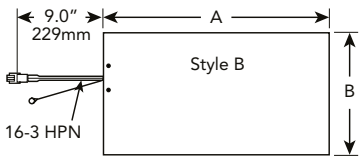


Battery heater not recommended for nickel cadmium batteries. When batteries are placed in an insulated battery box, a thermostat is recommended to sense battery box temperature to prevent overheating the battery.

## Standard Pad for Single Battery

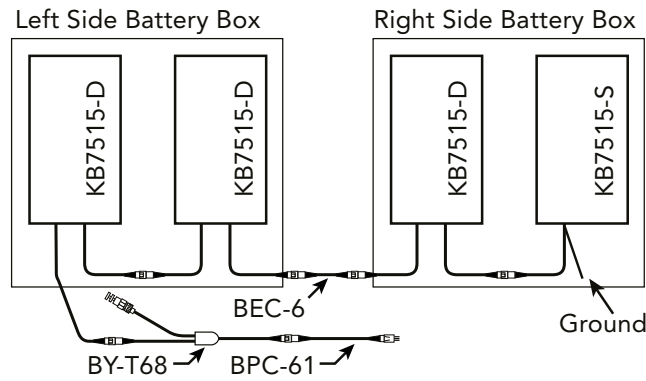


## Special Pads for Multiple Batteries



Model Number	Volts	Watts	Amps	Nominal Dimensions		Battery Size	Style
				A	B		
KB5015	120	50	.42	12.75" (324mm)	8.25" (210mm)	4D	A
KB5015-S	120	50	.42	12.75" (324mm)	8.25" (210mm)	4D	B
KB5015-D	120	50	.42	12.75" (324mm)	8.25" (210mm)	4D	C
KB7515	120	75	.63	19.5" (495mm)	10.5" (267mm)	8D	A
KB7515-S	120	75	.63	19.5" (495mm)	10.5" (267mm)	8D	B
KB7515-D	120	75	.63	19.5" (495mm)	10.5" (267mm)	8D	C
KB7523	240	75	.31	19.5" (495mm)	10.5" (267mm)	8D	A
KB7523-S	240	75	.31	19.5" (495mm)	10.5" (267mm)	8D	B
KB7523-D	240	75	.31	19.5" (495mm)	10.5" (267mm)	8D	C

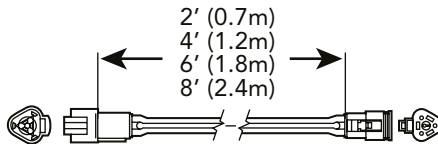
## Typical Connection - 2 Batteries on Each Side of Vehicle



## Accessories For Multiple Battery Heating

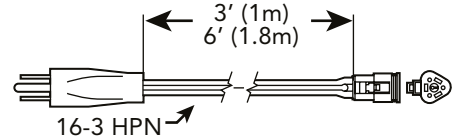
### EXTENSION CORDS

Part Number	Length
BEC-2	2' (0.7m)
BEC-4	4' (1.2m)
BEC-6	6' (1.8m)
BEC-8	8' (2.4m)



### POWER SUPPLY CORDS

Part Number	Length	Volts
BPC-31	3' (1m)	120
BPC-32	3' (1m)	240
BPC-61	6' (1.8m)	120
BPC-62	6' (1.8m)	240



### THERMOSTAT & "Y" CORD ASSEMBLY

Part Number	Temperature Control	
	On	Off
BY-T68	60°F (16°C)	80°F (27°C)

