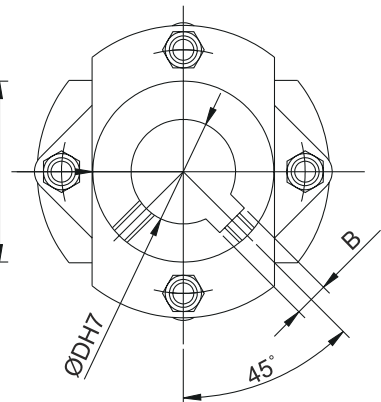
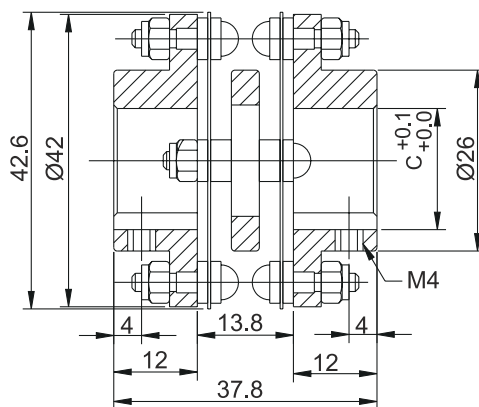


D=8 10 12

Diameter (mm)	Max. rpm	Allowable torque	Allowable mounting misalignment		Torsional rigidity	Temperature range	Weight	Moment of inertia
			Angular offset	Parallel offset				
8, 10, 12	20,000 r/min	40kgf-cm	1.5°	0.3 mm	390kgf-cm/deg	-20°C ~ +100°C	65 g	440gf-cm·s ²



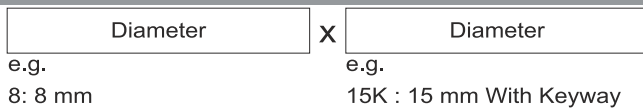
With Keyway



Diameter (mm) ØD	B	C	Max. rpm	Allowable torque	Allowable mounting misalignment		Torsional rigidity	Temperature range	Weight	Moment of inertia
					Angular offset	Parallel offset				
11	4P9	12.8	20,000 r/min	40kgf-cm	1.5°	0.3 mm	390kgf-cm/deg	-20°C ~ +100°C	65 g	440gf-cm·s ²
15	5H7	17.4								

ORDERING INFORMATION

HC-42



*Type: HC-42-15k x 15k

Recommended to use with HONTKO's encoder HPN-6D. 建議與HONTKO譯碼器HPN-6D搭配使用。