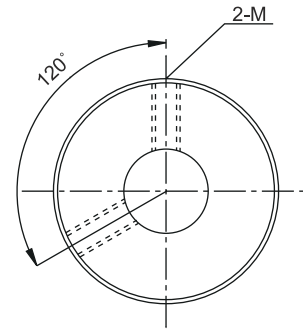
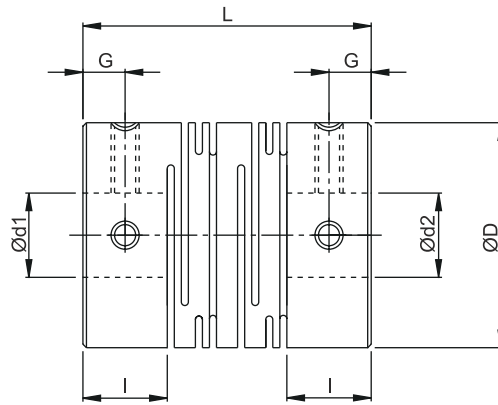


SCT.SCTS COUPLING/SLITTED SET SCREW TYPE



尺寸 / Dimension

單位/Unit:mm

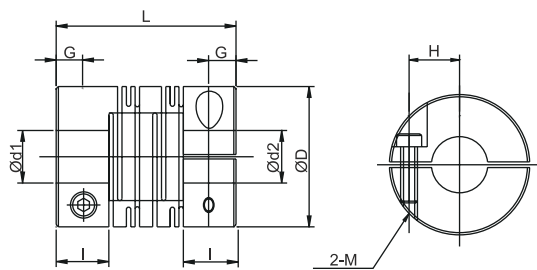
Catalog Number 型號	D	I	L	G	M	Wrench Torque 扭矩 (N.m)	Mass** 質量 (g)
SCT-8	8	3.5	14	1.7	M2	0.3	1.4
SCT-12	12	5	18.5	2.5	M2.5	0.5	3.7
SCT-16	16	6.5	23	3	M3	0.7	8.1
SCT-20	20	7.5	26	3	M4	0.7	14
SCT-25	25	8.5	31	4	M4	1.7	27
SCT-32	32	12	41	6	M5	1.7	60
SCT-40	40	15	56	8.5	M5	4	130
SCT-50	50	18	71	10.5	M6	7	260
SCT-63	63	22	90	13	M8	15	490
SCTS-12	12	5	18.5	2.5	M2.5	0.5	9.3
SCTS-16	16	6.5	23	3	M3	0.7	21
SCTS-20	20	7.5	26	3	M4	0.7	38
SCTS-25	25	8.5	31	4	M4	1.7	71
SCTS-32	32	12	41	6	M5	1.7	160
SCTS-40	40	15	56	8.5	M5	4	350
SCTS-50	50	18	71	10.5	M6	7	700
SCTS-63	63	22	90	13	M8	15	1300

性能 / Function

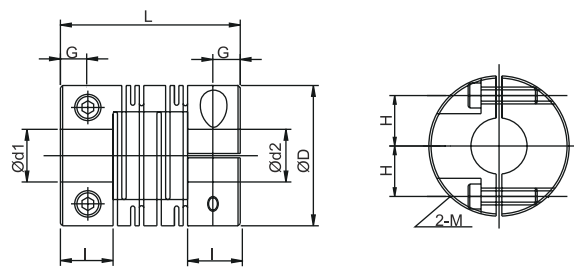
Catalog Number 型號	Max. Bore 最大孔徑 (mm)	Rated Torque 一般扭力 (N.m)	Max. Torque 最大扭力 (N.m)	Max. Rotational Frequency 最高回轉數 (min ⁻¹)	Moment* of Inertia 慣性 (kg·m ²)	Static Torsional Stiffness 剛性靜扭力值 (N.m/rad)	Errors of Eccentricity 容許偏心 (mm)	Errors of Angularity 容許偏角 (°)	Errors of Shaft End-Play 容許軸向位差 (mm)
SCT-8	4	0.1	0.2	48000	1.2x10 ⁻⁸	25	0.10	2	±0.2
SCT-12	6	0.2	0.4	32000	8.3x10 ⁻⁸	35	0.10	2	±0.3
SCT-16	8	0.3	0.6	24000	3.3x10 ⁻⁷	47	0.10	2	±0.4
SCT-20	10	0.5	1	19000	9.0x10 ⁻⁷	120	0.10	2	±0.4
SCT-25	12	1	2	15000	2.6x10 ⁻⁶	170	0.15	2	±0.5
SCT-32	16	2	4	12000	9.6x10 ⁻⁶	280	0.15	2	±0.5
SCT-40	20	5	10	9600	3.2x10 ⁻⁵	350	0.20	2	±0.5
SCT-50	25	10	20	7700	1.0x10 ⁻⁴	590	0.20	2	±0.5
SCT-63	35	20	40	6100	3.2x10 ⁻⁴	850	0.20	2	±0.5
SCTS-12	6	0.3	0.6	32000	2.1x10 ⁻⁷	64	0.10	2	±0.3
SCTS-16	8	0.5	1	24000	8.4x10 ⁻⁷	85	0.10	2	±0.3
SCTS-20	10	1	2	19000	2.4x10 ⁻⁶	250	0.10	2	±0.3
SCTS-25	12	2	4	15000	6.8x10 ⁻⁶	330	0.15	2	±0.4
SCTS-32	16	3.5	7	12000	2.6x10 ⁻⁵	850	0.15	2	±0.5
SCTS-40	20	8	16	9600	8.7x10 ⁻⁵	1000	0.20	2	±0.5
SCTS-50	25	15	30	7700	2.7x10 ⁻⁴	1400	0.20	2	±0.5
SCTS-63	35	35	70	6100	8.4x10 ⁻⁴	1800	0.20	2	±0.5



HONTKO SCT-C.SCTS-C COUPLING/SLITTED CLAMPING TYPE



外徑(D)Ø16~Ø32



外徑(D)Ø40~Ø63

尺寸 / Dimension

單位/Unit:mm

Catalog Number 型號	D	I	L	G	H	M	Wrench Torque 扭矩 (N.m)	Mass** 質量 (g)
SCT-12C	12	5	18.5	2.5	4	M2	0.5	3.6
SCT-16C	16	6.5	23	3.25	5	M2.5	1	9.2
SCT-20C	20	7.5	26	3.75	6.5	M3	1	16
SCT-25C	25	8.5	31	4.25	9	M4	1.5	28
SCT-32C	32	12	41	6	11	M4	2.5	64
SCT-40C	40	15	56	8.5	14	M5	4	140
SCT-50C	50	18	71	10.5	18	M6	8	270
SCT-63C	63	22	90	13	24	M8	16	530
SCTS-12C	12	5	18.5	2.5	4	M2	0.5	10
SCTS-16C	16	6.5	23	3.25	5	M2.5	1	25
SCTS-20C	20	7.5	26	3.75	6.5	M3	1	43
SCTS-25C	25	8.5	31	4.25	9	M4	1.5	78
SCTS-32C	32	12	41	6	11	M4	2.5	170
SCTS-40C	40	15	56	8.5	14	M5	4	370
SCTS-50C	50	18	71	10.5	18	M6	8	750
SCTS-63C	63	22	90	13	24	M8	16	1400

性能 / Function

Catalog Number 型號	Max. Bore 最大孔徑 (mm)	Rated Torque 一般扭力 (N.m)	Max. Torque 最大扭力 (N.m)	Max. Rotational Frequency 最高回轉數 (min ⁻¹)	Moment* of Inertia 慣性 (kg·m ²)	Static Torsional Stiffness 剛性靜扭力值 (N.m/rad)	Errors of Eccentricity 容許偏心 (mm)	Errors of Angularity 容許偏角 (°)	Errors of Shaft End-Play 容許軸向位差 (mm)
SCT-12C	5	0.2	0.4	12000	7.8x10 ⁻⁸	35	0.10	2	±0.3
SCT-16C	6	0.3	0.6	9500	3.4x10 ⁻⁷	47	0.10	2	±0.4
SCT-20C	8	0.5	1	7600	9.1x10 ⁻⁷	120	0.10	2	±0.4
SCT-25C	12	1	2	6100	2.6x10 ⁻⁶	170	0.15	2	±0.5
SCT-32C	16	2	4	4800	9.7x10 ⁻⁶	280	0.15	2	±0.5
SCT-40C	18	5	10	3800	3.3x10 ⁻⁵	350	0.20	2	±0.5
SCT-50C	22	10	20	3100	1.0x10 ⁻⁴	590	0.20	2	±0.5
SCT-63C	30	20	40	2400	3.2x10 ⁻⁴	850	0.20	2	±0.5
SCTS-12C	5	0.3	0.6	12000	2.2x10 ⁻⁷	64	0.10	2	±0.2
SCTS-16C	6	0.5	1	9500	9.0x10 ⁻⁷	85	0.10	2	±0.3
SCTS-20C	8	1	2	7600	2.5x10 ⁻⁶	250	0.10	2	±0.3
SCTS-25C	12	2	4	6100	7.1x10 ⁻⁶	330	0.15	2	±0.4
SCTS-32C	16	3.5	7	4800	2.7x10 ⁻⁵	850	0.15	2	±0.5
SCTS-40C	18	8	16	3800	9.0x10 ⁻⁵	1000	0.20	2	±0.5
SCTS-50C	22	15	30	3100	2.8x10 ⁻⁴	1400	0.20	2	±0.5
SCTS-63C	30	35	70	2400	8.8x10 ⁻⁴	1800	0.20	2	±0.5

SCT.SCTS SCT-C.SCTS-C

標準孔徑 / Stock Bores

單位/Unit:mm

Catalog Number 型號	Stock Bores 標準孔徑 d1xd2 (公差H8)													
	2	3	4	5	6	6.35	8	9.525	10	12	14	15	16	18
SCT-8	●	●												
SCTS-8														
SCT-12		●	●	●	●									
SCTS-12		●	●	●	●									
SCT-16			●	●	●	●	●							
SCTS-16				●	●	●	●							
SCT-20				●	●	●	●		●					
SCTS-20				●	●	●	●	●	●					
SCT-25					●	●	●	●	●	●				
SCTS-25					●	●	●	●	●	●				
SCT-32					●	●	●	●	●	●				
SCTS-32							●	●	●	●	●		●	
SCT-40								●	●	●	●		●	
SCTS-40								●	●	●	●	●	●	●
SCT-50										●	●	●	●	●
SCTS-50										●	●	●	●	●
SCT-63											●	●	●	●
SCTS-63											●	●	●	●

標準孔徑 / Stock Bores

單位/Unit:mm

Catalog Number 型號	Stock Bores 標準孔徑 d1xd2 (公差H8)													
	2	3	4	5	6	6.35	8	9.525	10	12	14	15	16	18
SCT-12C			●	●										
SCTS-12C			●	●										
SCT-16C				●	●	●	●							
SCTS-16C				●	●	●	●							
SCT-20C				●	●	●	●							
SCTS-20C				●	●	●	●							
SCT-25C				●	●	●	●		●					
SCTS-25C				●	●	●	●	●	●					
SCT-32C							●	●	●	●				
SCTS-32C								●	●	●	●			
SCT-40C							●	●	●	●	●	●	●	
SCTS-40C							●	●	●	●	●	●	●	
SCT-50C										●	●	●	●	●
SCTS-50C										●	●	●	●	●
SCT-63C											●	●	●	●
SCTS-63C											●	●	●	●

材 質/Material

SCT.SCT-C系列-鋁合金/Aluminum alloy
SCTS.SCTS-C系列-不銹鋼/Stainless steel

規格代號/Product NO:

SCT-20 - Ø5xØ5

型號/TYPE 孔徑/Inside dia

特 性/Character

- 1.一體成型/One-body shape
- 2.零背隙/Zero backlash
- 3.剛性大/High rigid
- 4.輕巧、無污染/Light and landy、zero contamination
- 5.適合 ENCODER，小馬力傳動/To suit of Encoder
- 6.偏角誤差較佳/High deflection
- 7.固定方式：夾緊式/Fixed mode:Clamping type