

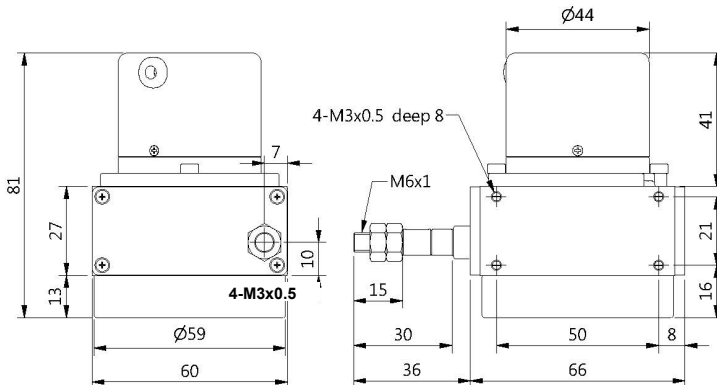
S-LS

DISPLACEMENT SENSOR HIGH RESOLUTION



- Built-in Multiplication Circuit
- Stroke 1000 mm
- Line Driver Output

DIMENSION



ORDERING INFORMATION

S-LS-10-	<input type="text"/>	A-	<input type="text"/>	<input type="text"/>
	Multiple Pulse 倍頻解析		Electronics 電路特性	Multiplication 倍數
	002		L: Line Driver 5Vdc	M02
	001		H: Line Driver 8-26Vdc	M04
	0008			M05
	0005			M08

ELECTRICAL SPEC.

Detection System	Incremental 增量型
Output Wave 輸出波形	Square Wave 方波
Stroke (mm) 量測行程	1000
Multiplication Resolution 倍頻解析	0.02 mm/pulse (2000 x 2) (002-□-M02)
	0.01 mm/pulse (2000 x 4) (001-□-M04)
	0.008 mm/pulse (2000 x 5) (0008-□-M05)
	0.005 mm/pulse (2000 x 8) (0005-□-M08)
Repeatability Error 重覆性誤差	±0.1% FS, ±1 count
Output Phase 輸出相	ABZ phase
Electronics 電路特性	Line Driver 差動式
Power Supply 供應電源	DC 5V, DC 8~26V
Current Consumption 消耗電流	≤ 60 mA (no load)
Output Capacity 輸出容量	Sync. Current: 20 mA, Residual Voltage: 0.5V or less
Max. Response 最大響應頻率	150K Hz
Phase Different 相位差	A, B phase different 90°±45° (T/4±T/8), Z phase T±T/2
Wave Form Rise / Fall 波形上下時間	1 μs or less
Polarity 極性保護	Against Reverse Protection

MECHANICAL SPEC.

Wire Specification 線徑規格	Material: SUS304 with nylon coating Diameter: 0.6 mm; Breaking load: 16 Kg
Max. Travel Speed 最大往復速度	500 mm / sec.
Vibration 震動	10-55 Hz / 1.5 mm VPP, max. 10 G
Shock 衝擊	50g per 11 ms
Cable 電線	Ø4.5, 1000 mm long
Weight 重量	< 450g
Starting Torque on Spring 拉力	Max. 700 g

ENVIRONMENTAL SPEC.

Operating Temp. / Humidity 操作溫度/濕度	0°C ~ 60°C, RH 35% ~ 90% (No Condensation)
Storage Temp. 儲存溫度	-20°C ~ 70°C
Protection 保護等級	IP50: Dust Proof
Life 壽命	Typical > 1 X 10 ⁶ cycles