

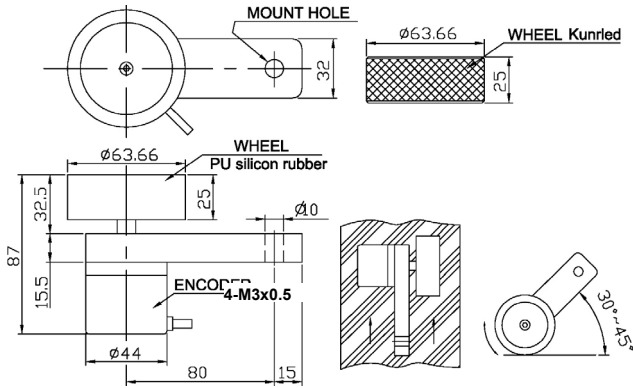
# S-MB/MK

## ROTARY ENCODER HIGH RESOLUTION



- Built-in Multiplication Circuit
- Meter Wheel Encoder
- Rubber Wheel, Metal Knurled Wheel
- Line Driver Output

### DIMENSION



### ORDERING INFORMATION

S-M	Wheel Type 輪子種類	Multiple Pulse 倍頻解析	A	Electronics 電路特性	Multiplication 倍數
	K: Metal Knurled	005		L: Line Driver 5Vdc	M02
	B: Rubber	004		H: Line Driver 8-26Vdc	M02
		002			M05
		001			M10
		0008			M10

### ELECTRICAL SPEC.

Detection System	Incremental 增量型
Output Wave 輸出波形	Square Wave 方波
Multiplication Resolution 倍頻解析	0.05 mm/pulse (2000 x 2) ( 005-□-M02)
	0.04 mm/pulse (2500 x 2) ( 004-□-M02)
	0.02 mm/pulse (2000 x 5) ( 002-□-M05)
	0.01 mm/pulse (2000 x 10) ( 001-□-M10)
	0.008 mm/pulse (2500 x 10) (0008-□-M10)
Accuracy Error 精度誤差	± 0.3 mm / 200 mm, ± 1 count
Output Phase 輸出相	ABZ phase
Electronics 電路特性	Line Driver 差動式
Power Supply 供應電源	DC 5V, DC 8~26V
Current Consumption 消耗電流	≤ 60 mA (no load)
Output Capacity 輸出容量	Sync. Current: 20 mA, Residual Voltage: 0.5V or less
Max. Response 最大響應頻率	150K Hz
Phase Different 相位差	A, B phase different 90°±45° (T/4±T/8), Z phase T±T/2
Wave Form Rise / Fall 波形上下時間	1 μs or less
Polarity 極性保護	Against Reverse Protection

### MECHANICAL SPEC.

Type of wheel 輪子種類	Metal Knurled 金屬壓花輪 / Rubber 橡膠
Wheel Circle Length 輪周長	200 mm +/- 0.1%
Max. Speed	500 mm / sec.
Vibration 震動	10-55 Hz / 1.5 mm VPP, max. 10 G
Shock 衝擊	50g per 11 ms
Cable 電線	Ø4.5, 1000 mm long
Weight 重量	≤ 500g

### ENVIRONMENTAL SPEC.

Operating Temp. / Humidity 操作溫度/濕度	0°C ~ 60°C, RH 35% ~ 90% (No Condensation)
Storage Temp. 儲存溫度	-20°C ~ 70°C
Protection 保護等級	IP50: Dust Proof