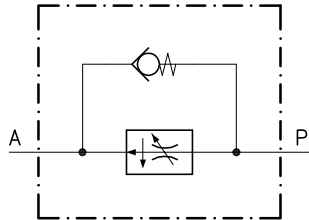


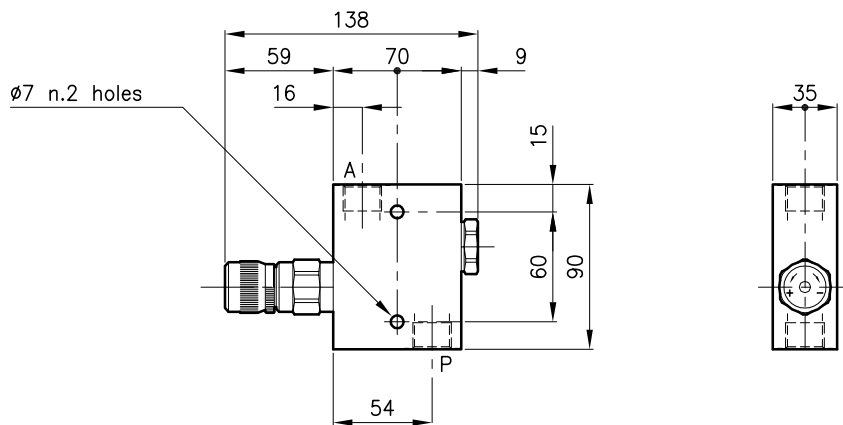
**Technical features**

The main valve are used as pressure compensated flow control and the they keep flow adjusted uniform independently from the pressure.  
The annexed by-pass valve allows the reverse free-flow.



Valves	(For features see catalogue 06.070)	RDZ 30
	(For features see catalogue 05.060)	CAE 30/P
Flow setting range (l/min.)	type D	0.05 - 12
	type Q	0.05 - 24
Max. pressure	(bar)	315
Min. pressure difference	(bar)	7
Fluid viscosity range	(cSt)	2.8 - 380
Fluid temperature range	(°C)	-20 +80
Mass	(kg)	0.960
Hydraulic fluid; mineral oil HM and HV		ISO 6074
Recommended filtration; 19/15 ISO 4466 (25 μ absolutes)		
Complete adjustment range obtained with 1 knob turn		
Standard seals in Polyurethane and Buna N		

**Dimensions**



**Ordering informations**

**RDZ 30/D-H-CSL 10-B08**

Valve type

Flow setting range

**D** = 0.05 - 12 l/min

**Q** = 0.05 - 24 l/min

Adjustment type

**H** = Standard

**HG** = With climping lock ring

Version

Standard ports

**B06** = G 3/8 ISO 228

**B08** = G 1/2 ISO 228

Codes:

RDZ 30/D-H-CSL 10-B06 33 011 149

RDZ 30/Q-H-CSL 10-B06 33 011 150

RDZ 30/D-HG-CSL 10-B06 33 011 151

RDZ 30/Q-HG-CSL 10-B06 33 011 152

RDZ 30/D-H-CSL 10-B08 33 011 153

RDZ 30/Q-H-CSL 10-B08 33 011 154

RDZ 30/D-HG-CSL 10-B08 33 011 155

RDZ 30/Q-HG-CSL 10-B08 33 011 156

Only body codes:

Body type 30-CSL 10-B06 38 144 127

Body type 30-CSL 10-B08 38 144 128