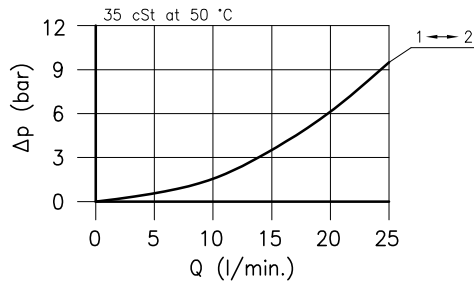
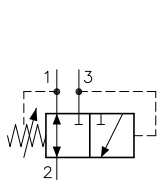
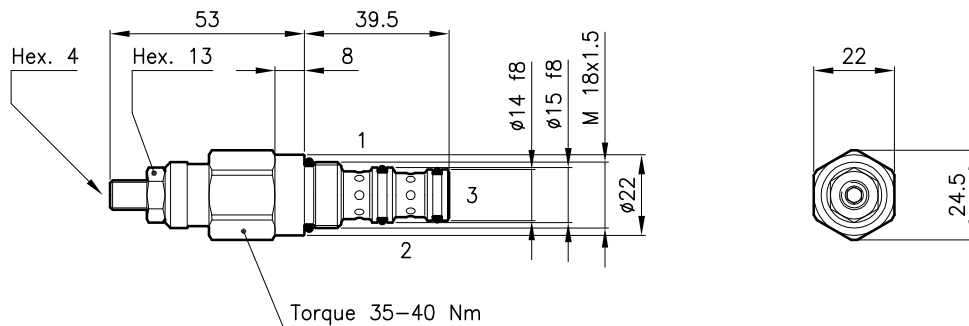


Technical features



Cavity	(For dimensions see catalogue 17.000)	S 20/3
Nominal flow	(l/min.)	20
Max. pressure	(bar)	350
Fluid viscosity range	(cSt)	2.8 - 380
Fluid temperature range	(°C)	-20 +80
Mass	(kg)	0.160
Hydraulic fluid; mineral oil HM and HV	ISO 6074	
Recommended filtration; 19/15 ISO 4466	(25 μ absolutes)	
Standard seals in Polyurethane and Buna N		

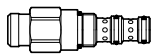
Dimensions



Ordering informations

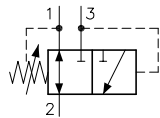
VDT 20/3203-D-N

VDT 20 = Valve type



Circuit

3203 =



Standard springs

Type	Setting range	Factory set
U	= 5 - 30 bar	20 bar
D	= 14 - 60 bar	40 bar
T	= 35 - 90 bar	60 bar
Q	= 50 - 140 bar	100 bar

Adjustment type

N = Standard adjustment



Codes:

VDT 20/3203-U-N	22 011 144
VDT 20/3203-D-N	22 011 151
VDT 20/3203-T-N	22 011 152
VDT 20/3203-Q-N	22 011 179
External seals kit	90 620 101

VDT 20 valves can be assembled on standard bodies 20-C3 series; for dimensions see catalogue 16.010