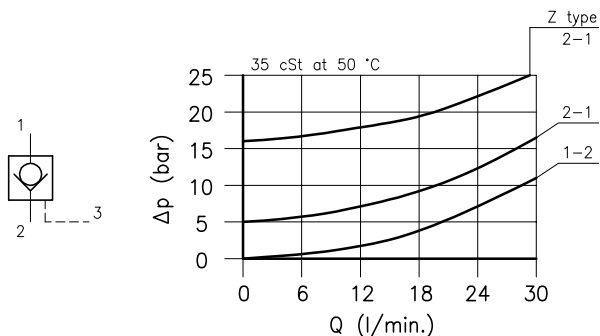
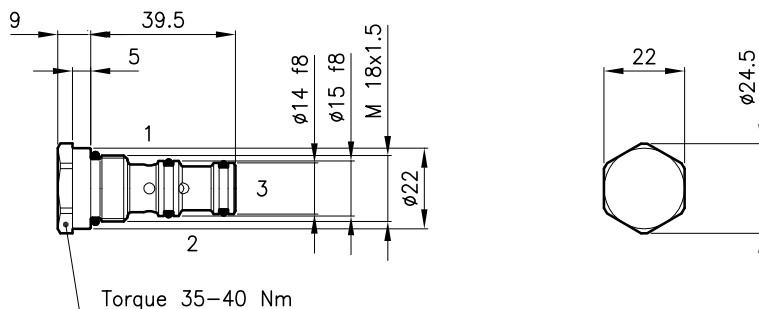


**Technical features**



Cavity (For dimensions see catalogue 17.000)	S 20/3
Nominal flow (l/min.)	25
Max. pressure (bar)	350
Pilot ratio	2.5:1
Pilot volume (cm <sup>3</sup> )	0.05
Fluid viscosity range (cSt)	2.8 - 380
Fluid temperature range (°C)	-20 +80
Mass (kg)	0.065
Hydraulic fluid; mineral oil HM and HV	ISO 6074
Recommended filtration; 19/15 ISO 4466 (25 μ absolutes)	
Standard seals in Polyurethane and Buna N	

**Dimensions**



**Ordering informations**

**CAP 20/M-S**

CAP 20 = Valve type



Standard spring

**M** = 5 bar

**Z** = 17 bar

**S** = Without O-Ring on the pilot piston  
(Omit in Standard version)

Codes:

CAP 20/M	22 011 104
CAP 20/M-S	22 011 105
CAP 20/Z	22 011 145
CAP 20/Z-S	22 011 163
External seals kit	90 620 101

CAP 20 valves can be assembled on standard bodies 20-C3 series; for dimensions see catalogue 16.010