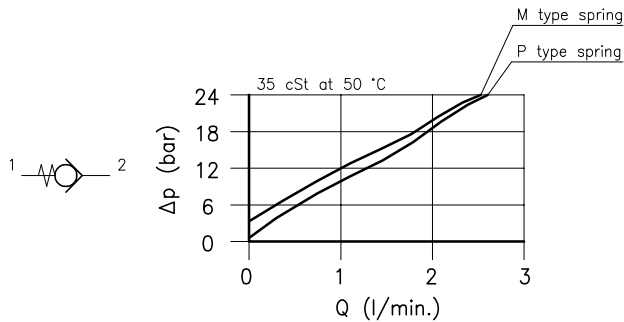
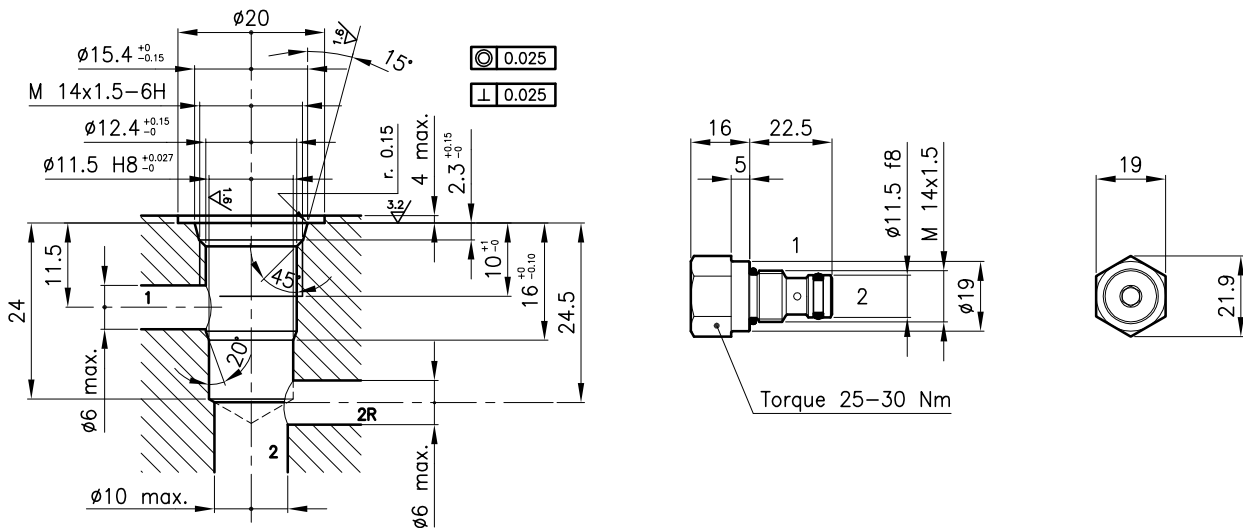


Technical features



Nominal flow	(l/min.)	2
Max. pressure	(bar)	210
Cracking pressure	(bar)	0.3-3
Fluid viscosity range	(cSt)	2.8 - 380
Fluid temperature range	(°C)	-20 +80
Mass	(kg)	0.045
Hydraulic fluid; mineral oil HM and HV ISO 6074		
Recommended filtration; 19/15 ISO 4466 (25 μ absolutes)		
Standard seals in Polyurethane and Buna N		

Dimensions



Ordering informations

CAB 10/P-1

CAB 10 = Valve type



Standard springs

P = 0.3 bar

M = 3 bar

1 = Hole ø1 mm

Codes:

CAB 10/P-1 12 011 100

CAB 10/M-1 12 011 101

External seals kit 90 620 121

CAB 10 valves can be assembled on standard bodies 10-LO series; for dimensions see catalogue 16.010