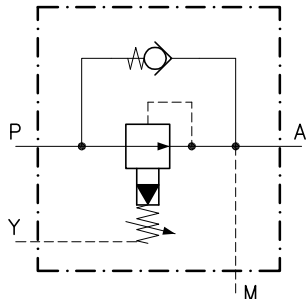
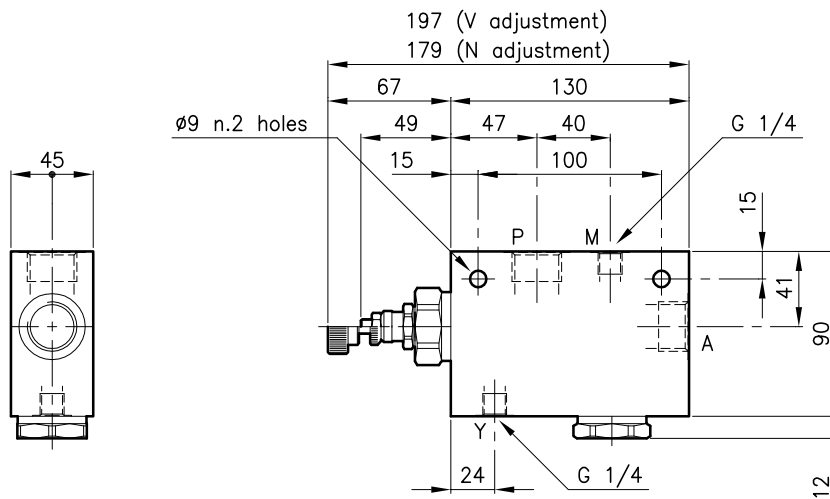


**Technical features**



Valves	(For features see catalogue 03.040)	RLY 50
	(For features see catalogue 05.070)	CAE 50/P
Max. flow	(l/min.)	90
Max. pressure in P	(bar)	420
Pressure setting range	(bar)	10 - 210
Fluid viscosity range	(cSt)	2.8 - 380
Fluid temperature range	(°C)	-20 +80
Mass	(kg)	2.100
Standard setting obtained with 1 l/min.		
Hydraulic fluid; mineral oil HM and HV ISO 6074		
Recommended filtration; 19/15 ISO 4466 (25 μ absolutes)		
Standard seals in Polyurethane and Buna N		

**Dimensions**



**Ordering informations**

**RLY 50/D-N-CSL 11-B12**

Valve type

Standard spring

Type Setting range

**D** = 10 - 210 bar

Adjustment type

**N** = Standard adjustment

**V** = Handknob adjustment

Version

Standard ports

**B08** = G 1/2 ISO 228

**B12** = G 3/4 ISO 228

Codes:

RLY 50/D-N-CSL 11-B08 51 011 144

RLY 50/D-V-CSL 11-B08 51 011 145

RLY 50/D-N-CSL 11-B12 51 011 146

RLY 50/D-V-CSL 11-B12 51 011 147

Only body codes:

Body type 50-CSL 11-B08 58 144 117

Body type 50-CSL 11-B12 58 144 118