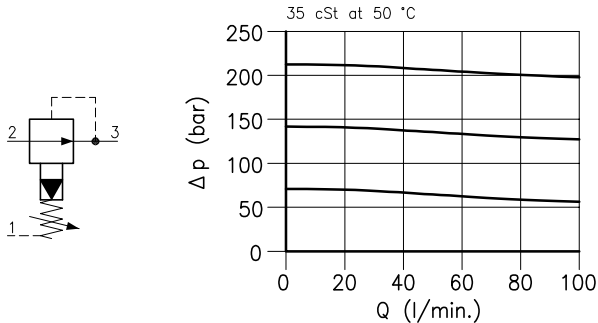
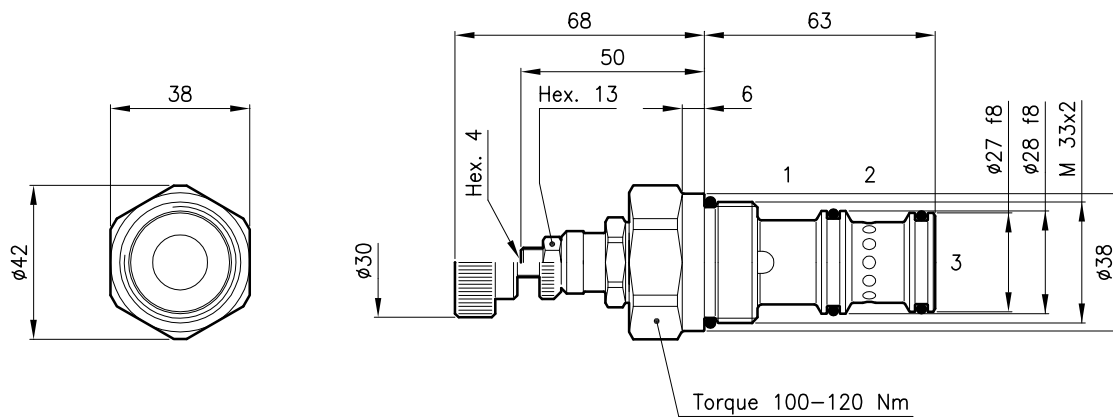


**Technical features**



Cavity (For dimensions see catalogue 17.000)	S 50/3
Max. flow (l/min.)	90
Max. inlet pressure (bar)	420
Pressure setting range (bar)	10 - 210
Max. drain (l/min.)	0.4 - 0.6
Fluid viscosity range (cSt)	2.8 - 380
Fluid temperature range (°C)	-20 +80
Mass (kg)	0.400
Standard setting obtained with 1 l/min.	
Hydraulic fluid; mineral oil HM and HV ISO 6074	
Recommended filtration; 19/15 ISO 4466 (25 μ absolutes)	
Standard seals in Polyurethane and Buna N	

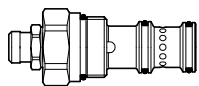
**Dimensions**



**Ordering informations**

**RLY 50/D-N**

RLY 50 = Valve type

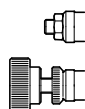


Standard spring

Type      Setting range      Factory set  
**D**      = 10 - 210 bar      140 bar

Adjustment type

**N** = Standard adjustment  
**V** = Handknob adjustment



Codes:

RLY 50/D-N	51 011 107
RLY 50/D-V	51 011 108
External seals kit	90 620 107

RLY 50 valves can be assembled on standard bodies 50-C3 series; for dimensions see catalogue 16.010