



TECHNICAL DATA

Operating range:

from 1 to 35 l/m with head up to 107 metres.

Pumped liquid: clean, free of solids and abrasives, non-viscous, non-aggressive, non-crystallised and chemically neutral, with properties similar to water.

Liquid temperature range:

from 0 °C to +35 °C for domestic use (EN 60335-2-41).

from -10 °C to +80 °C for other uses.

Maximum ambient temperature: +40°C

Maximum operating pressure: 12 bar (1200 kPa)

Installation: fixed, horizontal position.

Motor protection class: IP 44

Protection class at the terminal board: IP 55

Insulation class: F

Standard voltage: single-phase 1 x 230 V / 50 Hz
three-phase: 3 x 230-400 V / 50 Hz.

Special executions on requests: alternative voltages and frequencies.

APPLICATIONS

Peripheral centrifugal pump with compact dimensions. Capable of generating high heads and suitable for domestic installations, water supply systems, small gardening applications, draining and filling cisterns, and for light industrial uses, such as feeding pressurized boilers (anti-condensation).

CONSTRUCTION FEATURES OF THE PUMP

Brass pump body and motor support for KP 60/6 and KP 60/12.

Side suction pump body.

Brass impeller.

Carbon/ceramic mechanical seal.

CONSTRUCTION FEATURES OF THE MOTOR

Closed asynchronous type, external ventilation cooling.

Rotor running on permanently lubricated ball bearings, oversized to ensure low noise and durability.

Standard built-in thermo-amperometric protection. Capacitor permanently fitted on single phase versions.

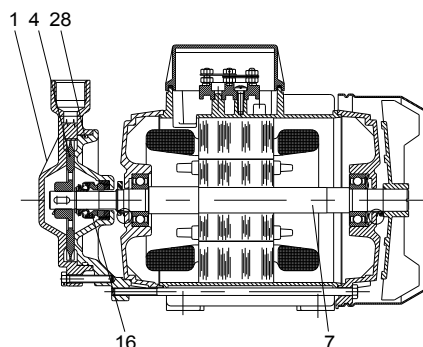
For the protection of the three-phase motor, we recommend the use of remote overload cut-outs, in compliance with current local regulations.

Construction according to CEI 2-3 and CEI 61-69 (EN 60335-2-41).

MATERIALS

No.	PARTS*	MATERIALS
1	PUMP BODY	BRASS PCU ZN 40 PB2 UNI 5705/65
3	SUPPORT	BRASS PCU ZN 40 PB2 UNI 5705/65
4	IMPELLER	BRASS PCU ZN 40 PB2 UNI 5705/65
7	SHAFT WITH ROTOR	AISI 416 STAINLESS STEEL X12 CRS 13 UNI 6900/71
16	MECHANICAL SEAL	CARBON / CERAMIC
28	OR RING	VITON

* In contact with the liquid



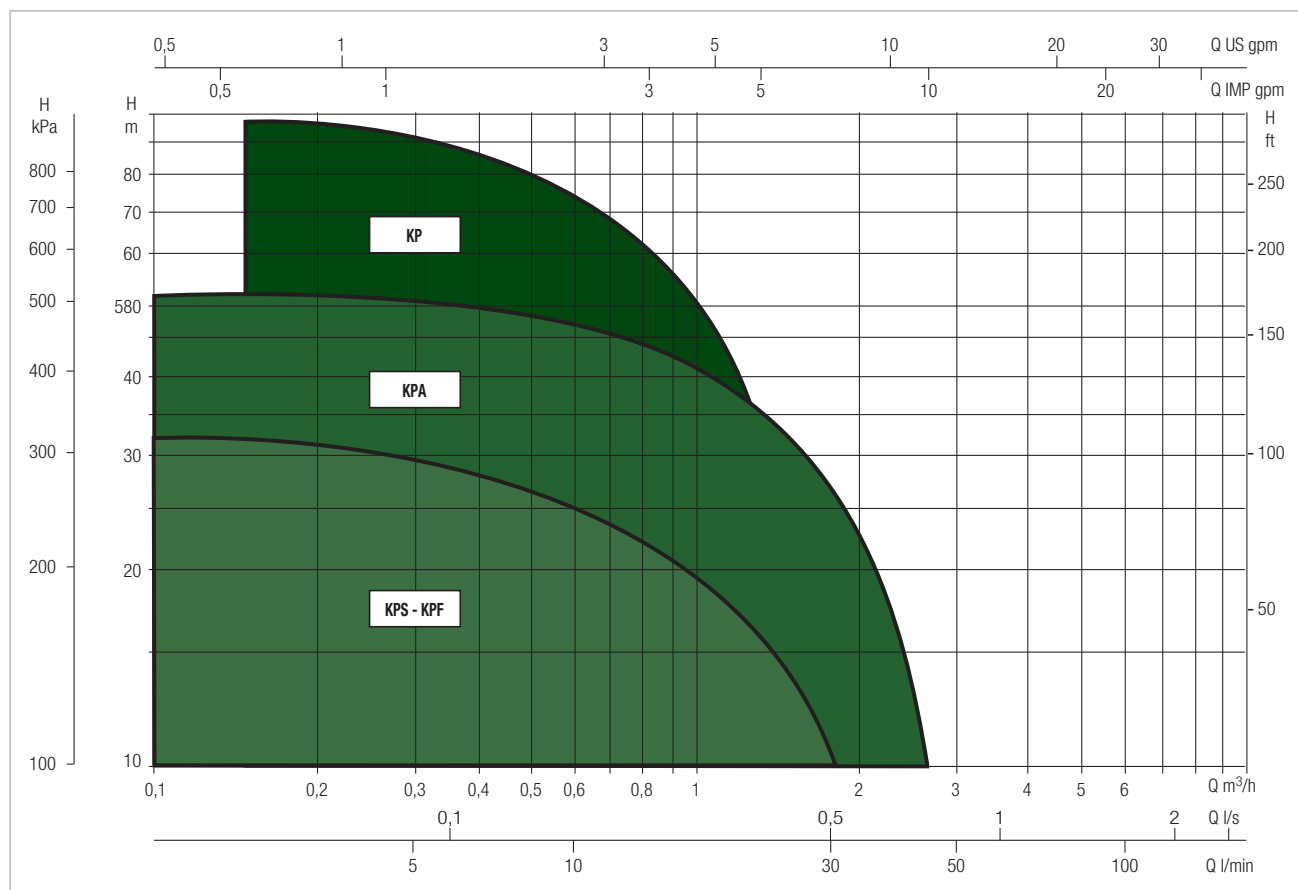
KPA - KPS / KPF - KP RANGE

PERIPHERAL ELECTRIC PUMPS

PERFORMANCE RANGE

The performance curves are based on kinematic viscosity values = 1 mm²/s and density equal to 1000 kg/m³. Curve tolerance according to ISO 9906.

GRAPHIC SELECTION TABLE



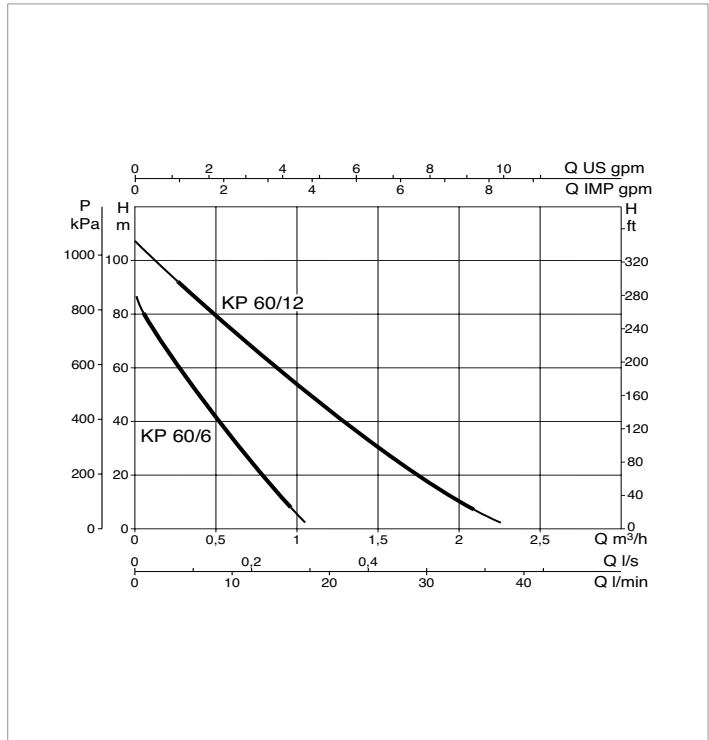
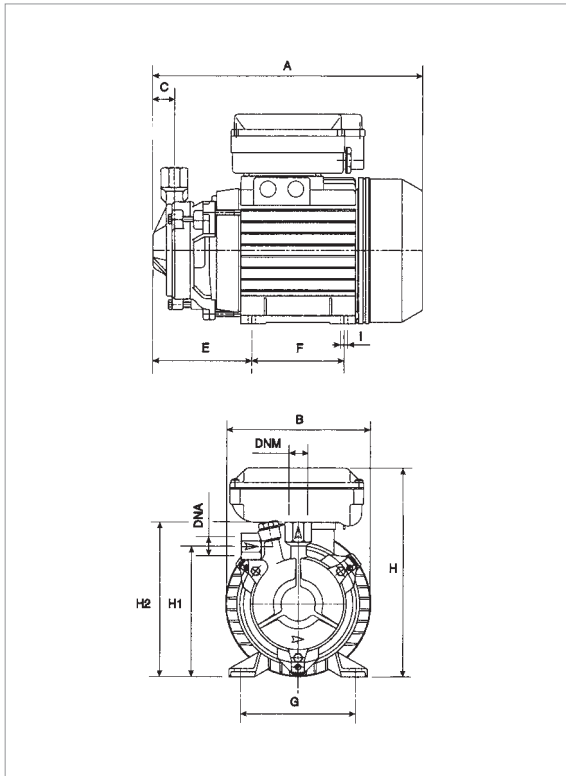
SELECTION TABLE

MODEL	Q=	0	0.3	0.6	0.9	1.2	1.8	2.4
	Q=	0	5	10	15	20	30	40
	H (m)							
KP 60/6 M		87	57	33	13			
KP 60/6 T		87	57	33	13			
KP 60/12 M		107	91	74	58	43	17	
KP 60/12 T		107	91	74	58	43	17	

KP 60 - PERIPHERAL ELECTRIC PUMPS FOR THE SUPPLY OF WATER IN DOMESTIC ENVIRONMENTS

Liquid temperature range: from 0 °C to +35 °C for domestic use (EN 60335-2-41). From -10 °C to +80 °C for other uses.

Maximum ambient temperature: +40°C



The performance curves are based on kinematic viscosity values = 1 mm²/s and density equal to 1000 kg/m³. Curve tolerance according to ISO 9906.

MODEL	ELECTRICAL DATA						
	POWER INPUT 50 Hz	P1 MAX kW	P2 NOMINAL		In A	CAPACITOR	
			kW	HP		µF	Vc
KP 60/6 M	1 x 230V ~	0.54	0.37	0.5	2.4	10	450
KP 60/6 T	3 x 230 - 400V ~	0.52	0.37	0.5	1,8 - 1	-	-
KP 60/12 M	1 x 230V ~	1.15	0.75	1	5.2	20	450
KP 60/12 T	3 x 230 - 400V ~	1.12	0.75	1	3,8 - 2.2	-	-

MODEL	A	B	C	E	F	G	I Ø	H	H1	H2	DNA	DNM	PACKING DIMENSIONS			VOLUME (m ³)	WEIGHT kg
													L/A	L/B	H		
KP 60/6 M	262	142	21	96	90	112	7	204	127	151	1/2" G	1/2" G	406	267	402	0.043	8.2
KP 60/6 T	262	142	21	96	90	112	7	173	127	151	1/2" G	1/2" G	406	267	402	0.043	7.9
KP 60/12 M	262	142	20	96	90	112	7	204	126	161	3/4" G	3/4" G	406	267	402	0.043	10.1
KP 60/12 T	262	142	20	96	90	112	7	173	126	161	3/4" G	3/4" G	406	267	402	0.043	9.9