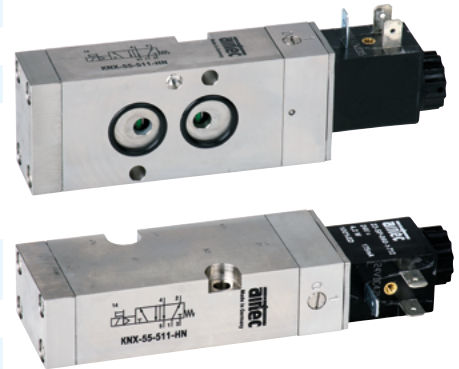


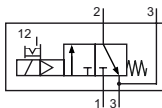
**Technical details**

<b>Connection</b>	G1/4, Namur
<b>Nominal size</b>	6 mm
<b>Temperature range</b>	-30°C ... +80°C
<b>Medium</b>	Filtered, oil-free and dried compressed air according to ISO 8573-1:2010, Class 7:2:4, instrument air, free of aggressive additives. Differing the pressure dew point must be at least 10°C below lowest occurring ambient temperature.
<b>Materials</b>	Body: stainless steel 1.4571, seals: PU, NBR, inner parts: stainless steel 1.4305
<b>Protection</b>	IP 65 according to EN 60529
	Valves in accordance with 2014/34/EU (ATEX) available. (Chapter 13)



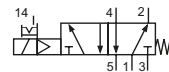
Electrically operated pool valve. The manual override is detent and is operated by screw driver. The location pin, screws and seals are included.

**3/2-Wege-Ventil**

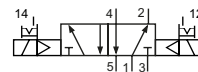


KNX-55-311-HN-xxx  
3/2-way, single solenoid, mechanical spring return, NC

**5/2- and 5/3-way-valves**



KNX-55-511-HN-xxx  
5/2-way, single solenoid, mechanical spring return



KNX-55-520-HN-xxx  
5/2-way, double solenoid

Please complete: xxx = electrical option

**Electrical options**

Nominal voltage	Power consumption	Specifics	Plug connection*1	-xxx
24 V DC	4.2 W		Form B industrial norm	-F42

\*1 Plug socket not included, suitable plug sockets see page 6-03.

**Technical data**

Model-no.:	KNX-55-311	KNX-55-511	KNX-55-520
<b>Operating pressure (bar)</b>	3 ... 8	3 ... 8	3 ... 8
<b>Pilot pressure (bar)</b>	3 ... 8	3 ... 8	3 ... 8
<b>Flow rate (NI/min)</b>	1280	1060	1050
<b>Response time (ms) at 6 bar</b>	on: 13 off: 47	on: 12 off: 74	on: 14 off: 14
<b>Weight (kg)</b>	0.670	0.660	0.720

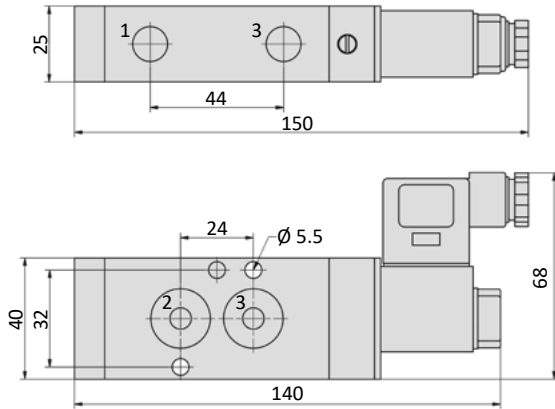
# Series KNX-55

## NAMUR

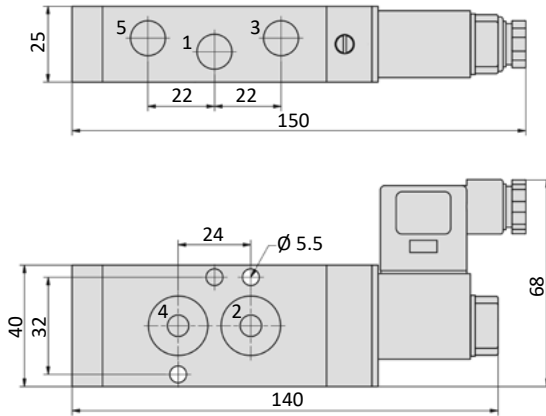


### Dimensions

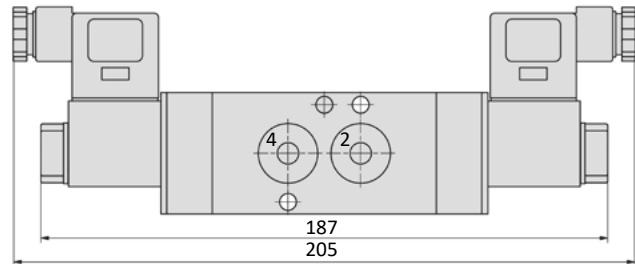
#### KNX-55-311-HN



#### KNX-55-511-HN



#### KNX-55-520-HN



1 = pressure inlet  
2,4 = outlets  
3,5 = exhausts

Plug socket (not included in scope of delivery) can be repositioned by 180°.  
Solenoid coil can be repositioned.

### Accessories



Plug sockets: page 6-14

## Form B industrial norm

<b>Overall width</b>	22 mm
<b>Contact distance</b>	11 mm
<b>Contacts</b>	2P + E
<b>Protection</b>	IP 65 according to EN 60529 requires a flat gasket
<b>For use with series</b>	ICK-09, ICK-10, KMX-09, KMX-10, ICKN-55, KNX-55

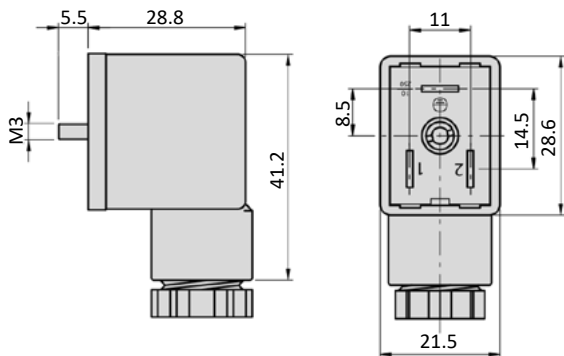


<b>Model-no.:</b>	28-ST-01	28-ST-04-112	28-ST-04-127	28-ST-06-112	28-ST-06-127	28-ST-06-K3-112*	28-ST-06-K3-127*
<b>Voltage (AC/DC)</b>	0 - 250 V	10 - 50 V	70 - 250 V	24 V	230 V	24 V	230 V
<b>Status indicator</b>	no	yes	yes	yes	yes	yes	yes
<b>Protective circuit</b>	no	no	no	yes (varistor)	yes (varistor)	yes (varistor)	yes (varistor)
<b>Connecting cable</b>	without	without	without	without	without	3 m	3 m
<b>Wire cross section</b>	max. 1.5 mm <sup>2</sup>	max. 1.5 mm <sup>2</sup>	max. 1.5 mm <sup>2</sup>	max. 1.5 mm <sup>2</sup>	max. 1.5 mm <sup>2</sup>	3 x 0.75 mm <sup>2</sup>	3 x 0.75 mm <sup>2</sup>
<b>Ø Connecting cable</b>	6 - 8 mm	6 - 8 mm	6 - 8 mm	6 - 8 mm	6 - 8 mm		

\* These plug sockets are fitted with integrated flat gaskets.

## Dimensions

### Form B industrial norm



## Solenoid coils

### Form B industrial norm

Overall width	22 mm
Contact distance	11 mm
Contacts	2P + E
Protection	IP 65 according to EN 60529 with connected plug socket
Duty cycle	100 %
Temperature range*	-50°C ... +80°C
Voltage tolerance	± 10 %
For use with series	ICK-09, ICK-10, KMX-09, KMX-10, ICKN-55, KNX-55



\* The max. applicable operating temperature, depends on the temperature specification of the used valve.

Model-no.:	23-SP-011-1-712
Voltage	24 V DC
Power consumption DC	4.2 W
Power consumption AC	-
Specifics	enhanced humidity resistance

### Dimensions

#### Form B industrial norm

