



## Diaphragm seal MD 21 Compact version



### Benefits

- Robust, compact stainless steel design
- Ideal for waste water, suspensions and corrosive media
- Suitable for high pressure ranges

### Application

For mounting to Bourdon tube pressure gauges, pressure transducers or pressure switches. For corrosive, hot and polluted media at high pressures. Specially suitable for mechanical engineering and chemical industry applications.

### Versions

#### DIN 3852 type A

Process connection	Instrument connection	Nominal pressure	Minimum range* (in bar) at nominal size				Part no.
			63	100	160	DMU	
	Welded connection	PN 600	6 bar	6 bar	–	1 bar	31415W
	Welded connection	PN 1000	4 bar	4 bar	4 bar	1 bar	31416W
	Welded connection	PN 1000	4 bar	4 bar	4 bar	1 bar	31328W
	Welded connection	PN 600	0.6 bar	1.6 bar	1.6 bar	0.6 bar	31329W
	Welded connection	PN 600	0.6 bar	0.6 bar	0.6 bar	0.6 bar	31330W

Blue part no. = in-stock items



## Technical specifications

### Process connection

Stainless steel 316 Ti/316 L  
 Fixed male thread G½B, G¾B, G1B, G1½B (depends on type)  
 DIN 3852 type A

### Diaphragm

Stainless steel 316 Ti/316 L  
 Flush, welded to upper body, no dead space

### Instrument connection

Welded connection

### Pressure transmission liquid

Paraffin oil (FM 09), FDA-listed

### Pressure range

See ordering table

### Nominal pressure

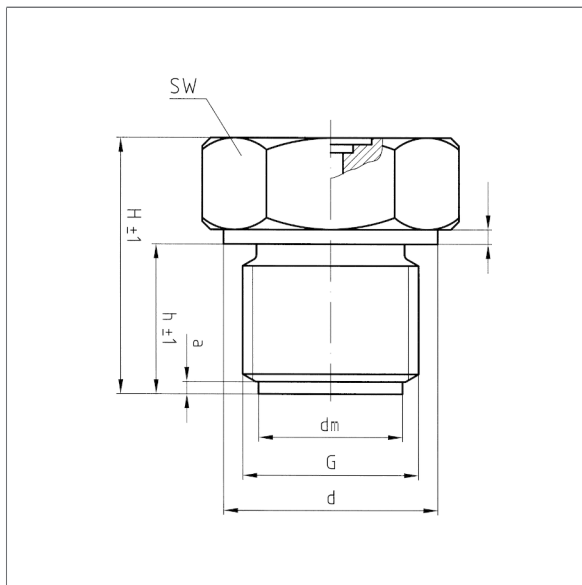
PN 600, PN 1000

## Options

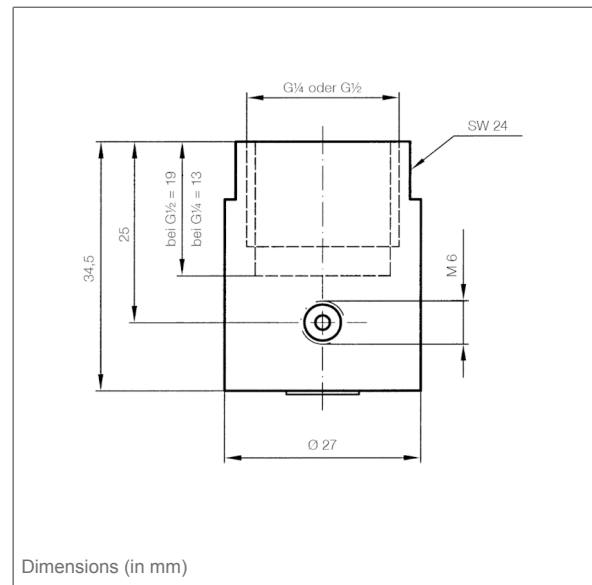
- Adapter for instrument connection G¼B/G½B
- Cooling element (> 100 °C)
- Capillary tube
- Other threads
- Other materials
- Other filling liquids

## Technical drawings

Type MD 21



Adapter for instrument connection G¼/G½ with filling port



G	d	dm	h	H	a	b	SW
G½B	26	17,2	17	33,5	3	3	27
G¾B	32	23,5	19	34	3	3	32
G1B	39	28	21	36	3	3	41
G1½B	55	40	25	48	3	3	55
G2B	68	50	27	56	3	3,5	70



**Cooling element, can be welded at both ends**

