



280x280x89mm/11x11x3.5inch 1,300 CFM

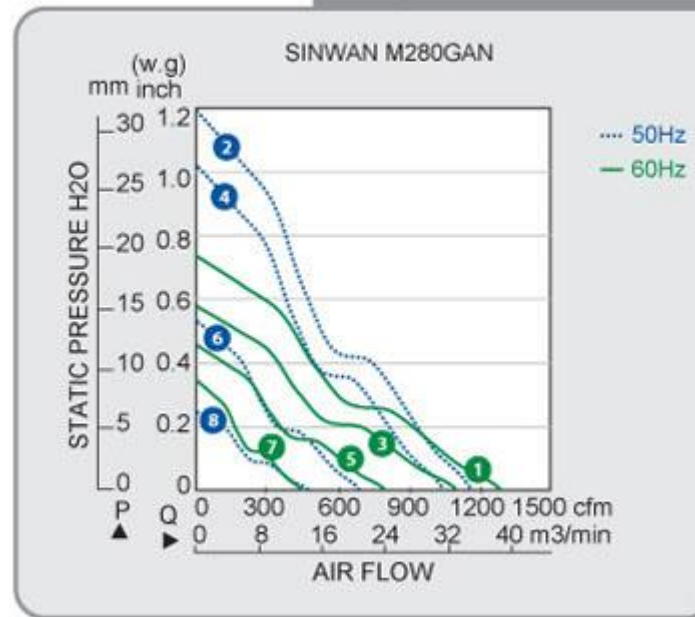
Sinwan AC Metal Impeller

Model No	Rated Volt	Voltage Range	Freq	Input Power	Ref. Speed	Max. Airflow		Max. Static Pressure		Noise Level	PQ	
	VAC	VAC	Hz	Watt	RPM	CFM	m3/min	Inch/H2O	mm	db(A)		
M280GAN11-1**	115	100~120	50/60	155/210	2800/3200	1150/1300	32.6/36.8	1.2/0.75	30.48/19.05	73	2/1	
M280GAN11-2**	115	100~120	50/60	110/180	2400/2500	1000/1050	28.3/29.7	1.02/0.59	25.91/14.99	62	4/3	
M280GAN11-3**	115	100~120	50/60	32/43	1500/1600	620/650	17.6/18.4	0.53/0.45	13.46/11.43	46	6/5	
M280GAN11-4**	115	100~120	50/60	26/35	1200/1100	460/450	13/12.7	0.25/0.35	6.35/8.89	34	8/7	
M280GAN11-1/2** Dual speed	115	100~120	50/60	-1	155/210	2800/3200	1150/1300	32.6/36.8	1.2/0.75	30.48/19.05	73	2/1
				-2	110/180	2400/2500	1000/1050	28.3/29.7	1.02/0.59	25.91/14.99	62	4/3
M280GAN11-3/4** Dual speed	115	100~120	50/60	-3	32/43	1500/1600	620/650	17.6/18.4	0.53/0.45	13.46/11.43	46	6/5
				-4	26/35	1200/1100	460/450	13/12.7	0.25/0.35	6.35/8.89	34	8/7
M280GAN22-1**	230	200~240	50/60	155/210	2800/3200	1150/1300	32.6/36.8	1.2/0.75	30.48/19.05	73	2/1	
M280GAN22-2**	230	200~240	50/60	110/180	2400/2500	1000/1050	28.3/29.7	1.02/0.59	25.91/14.99	62	4/3	
M280GAN22-3**	230	200~240	50/60	32/43	1500/1600	620/650	17.6/18.4	0.53/0.45	13.46/11.43	46	6/5	
M280GAN22-4**	230	200~240	50/60	26/35	1200/1100	460/450	13/12.7	0.35/0.25	8.89/6.35	34	8/7	
M280GAN22-1** (240)	240	200~240	50/60	155/210	2800/3200	1150/1300	32.6/36.8	1.2/0.75	30.48/19.05	73	2/1	
M280GAN22-1/2** Dual speed	230	200~240	50/60	-1	155/210	2800/3200	1150/1300	32.6/36.8	1.2/0.75	30.48/19.05	73	2/1
				-2	110/180	2400/2500	1000/1050	28.3/29.7	1.02/0.59	25.91/14.99	62	4/3
M280GAN22-3/4** Dual speed	230	200~240	50/60	-3	32/43	1500/1600	620/650	17.6/18.4	0.53/0.45	13.46/11.43	46	6/5
				-4	26/35	1200/1100	460/450	13/12.7	0.25/0.35	6.35/8.89	34	8/7
M280GAN22-1/2/3** Multiple speed	230	200~240	50/60	-1	155/210	2800/3200	1150/1300	32.6/36.8	1.2/0.75	30.48/19.05	73	2/1
				-2	110/180	2400/2500	1000/1050	28.3/29.7	1.02/0.59	25.91/14.99	62	4/3
				-3	32/43	1500/1600	620/650	17.6/18.4	0.53/0.45	13.46/11.43	46	6/5
M280GAN11/22-1** Dual voltage	115 /230	100~120 200~240	50/60	155/210	2800/3200	1150/1300	32.6/36.8	1.2/0.75	30.48/19.05	73	2/1	
M280GAN8-1**	48	48~58	50/60	155/210	2800/3200	1150/1300	32.6/36.8	1.2/0.75	30.48/19.05	73	2/1	
M280GAN38-1**	380	380~420	50/60	155/210	2800/3200	1150/1300	32.6/36.8	1.2/0.75	30.48/19.05	73	2/1	
M280GAN44-1**	440	440~480	50/60	155/210	2800/3200	1150/1300	32.6/36.8	1.2/0.75	30.48/19.05	73	2/1	

- ** = "WB" for wire lead type Ball bearing, or "TB" for terminal type Ball bearing
- 100, 200, 240V or special voltages 12, 24, 28, 38, 42, 48, 380~440~480... 50/60Hz, & dual voltage version available on request.
- Dual speed High/Medium 1/2, High/Low 1/3, Medium/Low 2/3, Low/extra Low 3/4 or triple speed 1/2/3 available on request.
- Sinwan reserves the right to change data and improve electrical or mechanical design without notice, data tolerance +-10%

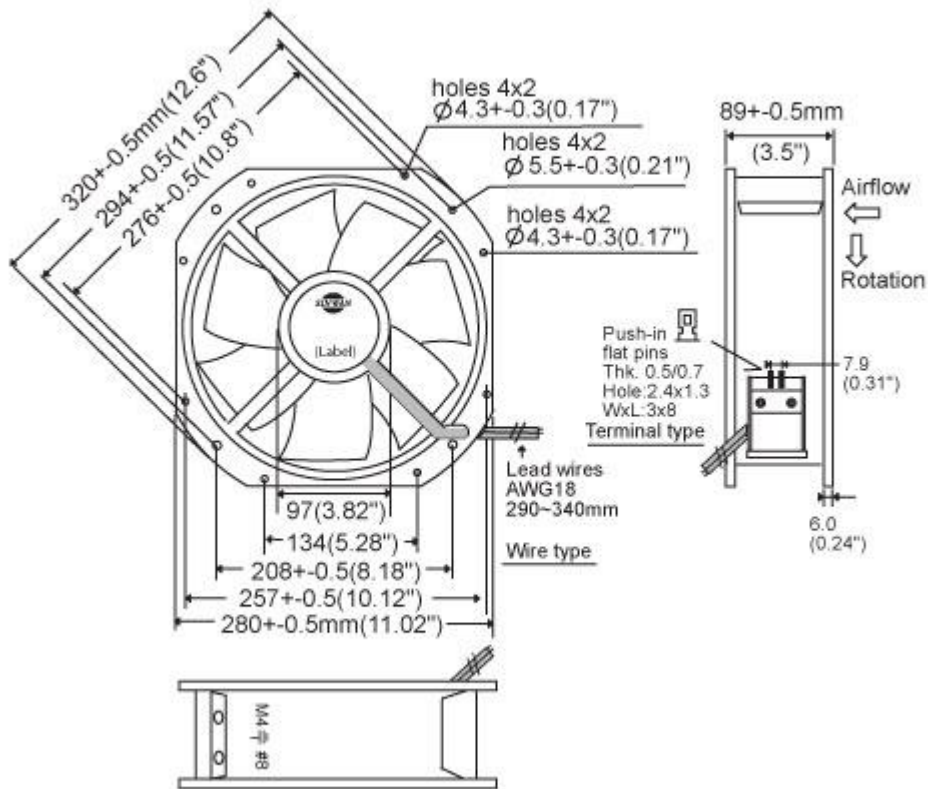
Motor	
Motor Type:	Capacitor induction, outer rotor, 1-phase
Burnout Protection:	Thermal protector
IP Protection:	IP56, IP68
Mechanical	
Frame:	Aluminum die cast, natural color, or black
Impeller:	7 blades, all metal steel
Bearing:	Maintenance-free 2 ball bearings
Rotation:	CCW seen on rotor
Connection:	Wire leads, terminal flat pin or Terminal block option
Weight:	3,400g (7.4 Lbs)
Electronical	
Dielectric Strength:	Over 1 min. at 1,500 VAC, 1mA, 50/60Hz
Insulation Resistance:	Over 100 MΩ at DC 500V
Signal Output:	Optional: R/D alarm output, F/G tachometer output
Environment	
Operating Temp:	Ambient non-condensing -30~+80C
Storage Temp:	-40C~+100C (at 65%RH)
Life Expectancy:	L10 50K hours at 55C, 80K hours at 35C

► Performance P-Q Curve



- 
 Nomenclature
- 
 F/G Tach
- 
 R/D Alarm
- 
 Dual Voltage
- 
 Multiple Speed
- 
 IP Report

► Outline Dimensions



Relevant products



Metal Fan Guard
G280-17U

RoHS CE RoH

