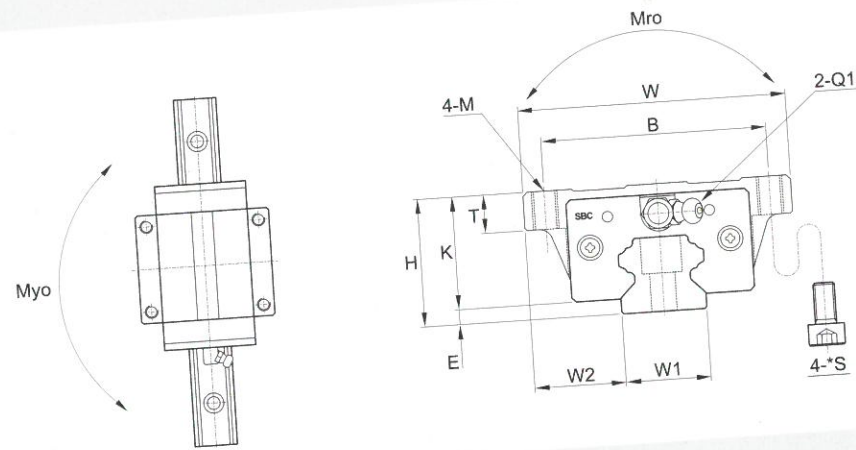


Linear Rail System

SBG Standard Linear Rail System

SBG-FL/FLL

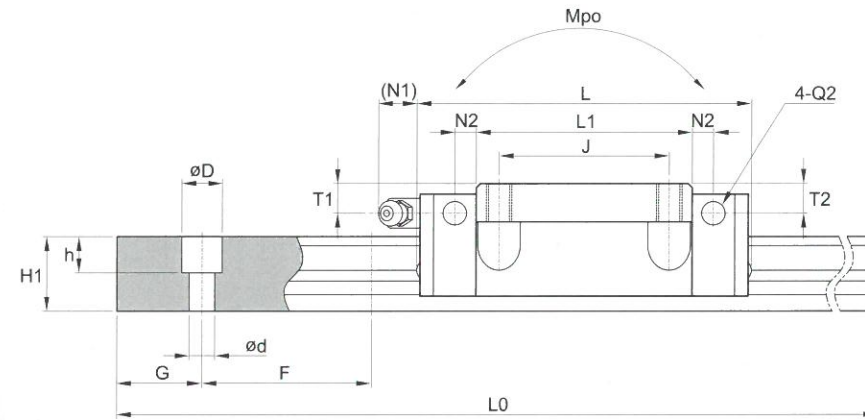


Model	Mounting dimension				Block dimensions												
	H	W	L	E	Mounting tap hole				Grease fitting								
					B	J	M	*S	L1	T	K	T1	N1	T2	N2	Q1	*Q2
SBG15 FL	24	47	60.8	3	38	30	M5	M4	38.8	7.2	21	4	5	5.5	4.5	M4x0.7	Ø3.5
SBG20 FL	30	63	77.2	3.5	53	40	M6	M5	50.8	9	26.5	7	9.8	12	5	M6x0.75	Ø5.5
SBG20 FLL	30	63	93.2	3.5	53	40	M6	M5	66.8	9	26.5	7	9.8	12	5	M6x0.75	Ø5.5
SBG25 FL	36	70	86.9	6.5	57	45	M8	M6	59.5	10	29.5	8.2	9.8	12	5.5	M6x0.75	Ø5.5
SBG25 FLL	36	70	106.4	6.5	57	45	M8	M6	79	10	29.5	8.2	9.8	12	5.5	M6x0.75	Ø5.5
SBG30 FL	42	90	100	7	72	52	M10	M8	70.4	12	35	8.5	10.7	12	5.5	M6x0.75	Ø5.5
SBG30 FLL	42	90	122.5	7	72	52	M10	M8	92.9	12	35	8.5	10.7	12	5.5	M6x0.75	Ø5.5
SBG35 FL	48	100	112.6	7.5	82	62	M10	M8	80.4	13	40.5	8	10.7	12	6	M6x0.75	Ø5.5
SBG35 FLL	48	100	138.1	7.5	82	62	M10	M8	105.9	13	40.5	8	10.7	12	6	M6x0.75	Ø5.5
SBG45 FL	60	120	140.4	10	100	80	M12	M10	98	15	50	10	11	16.5	8	PT1/8	Ø8
SBG45 FLL	60	120	172.4	10	100	80	M12	M10	130	15	50	10	11	16.5	8	PT1/8	Ø8
SBG55 FL	70	140	164.8	13	116	95	M14	M12	118	17	57	12	11	16.5	10	PT1/8	Ø8
SBG55 FLL	70	140	202.8	13	116	95	M14	M12	156	17	57	12	11	16.5	10	PT1/8	Ø8
SBG65 FL	90	170	195.2	17.5	142	110	M16	M14	147	23	72.5	15	11	16.5	10	PT1/8	Ø8
SBG65 FLL	90	170	255.2	17.5	142	110	M16	M14	207	23	72.5	15	11	16.5	10	PT1/8	Ø8

- ① C (Basic dynamic load rating), Co (Basic static load rating)
- ② *S: Bolt size for bottom mounting type of block.

Linear Rail System

SBG Standard Linear Rail System



(Unit : mm)

Rail dimension									Basic load rating		Permissible static moment			Mass	
W1	W2	H1	F	Bolt hole			G	Max length of rail L0	C	Co	Mro	Mpo	Myo	Block [kg]	Rail [kg/m]
				d	D	h									
15	16	15	60	4.5	7.5	5.3	20	3000	8.33	13.4	0.07	0.05	0.05	0.18	1.45
20	21.5	17.5	60	6	9.5	8.5	20	4000	14.2	25	0.22	0.18	0.18	0.42	2.2
20	21.5	17.5	60	6	9.5	8.5	20	4000	16.9	36.5	0.28	0.31	0.31	0.54	2.2
23	23.5	21.8	60	7	11	9	20	4000	20.9	39.2	0.35	0.31	0.3	0.62	3.1
23	23.5	21.8	60	7	11	9	20	4000	24.6	48	0.43	0.49	0.48	0.78	3.1
28	31	25	80	9	14	12	20	4000	29.2	53.8	0.59	0.49	0.48	1.1	4.45
28	31	25	80	9	14	12	20	4000	35.3	67.9	0.74	0.79	0.78	1.44	4.45
34	33	29	80	9	14	12	20	4000	38.8	68.6	0.94	0.74	0.72	1.57	6.4
34	33	29	80	9	14	12	20	4000	46	90.4	1.24	1.3	1.28	2.14	6.4
45	37.5	38	105	14	20	17	22.5	4000	61.6	110.6	1.98	1.56	1.54	2.96	11.25
45	37.5	38	105	14	20	17	22.5	4000	75.5	138.5	2.45	2.33	2.3	3.75	11.25
53	43.5	45	120	16	23	20	30	4000	91.2	156.9	3.37	2.69	2.65	4.49	15.25
53	43.5	45	120	16	23	20	30	4000	111.8	196.6	4.19	4.05	3.97	5.68	15.25
63	53.5	58.5	150	18	26	22	35	4000	147.9	240.1	6.17	4.85	4.75	8.7	23.9
63	53.5	58.5	150	18	26	22	35	4000	189.1	320.4	8.18	8.34	8.14	9.5	23.9

③ *Q2: The hole of side grease nipple is not made to prevent a foreign substance from going into inside. When you order the side grease nipple, we build it by ourselves.