

UGM

Dimensions (mm)	51 x 65.2
Height (mm)	15
Max. torque (cNm)	100
Ratios	12.5 ... 4800
Internal slipping clutch	none
Standard shaft (mm)	∅ 4 x 10
Weight (g)	45
Motor combination	Series UC, UB and UD; Series UF without UFR3/4 and UFB3/4



Standard Data

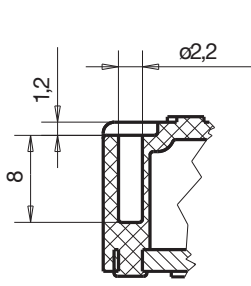
Mounting	any position
Axial thrust F_A	20 N
Lateral force F_R	100 N
Output shafts	∅ 4 x 10, other on request
Climatic class	wide-spread according to DIN IEC 60721-2-1
Ambient temperature operation	°C -15 ... +60
Ambient temperature storage	°C -40 ... +80

Ratios	12 1/2	16 2/3	25	50	100	120	150	200	240	300	400	450	500	600
	750	1000	1200	1500	4800									

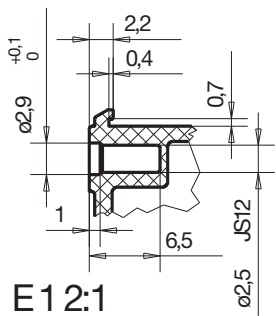
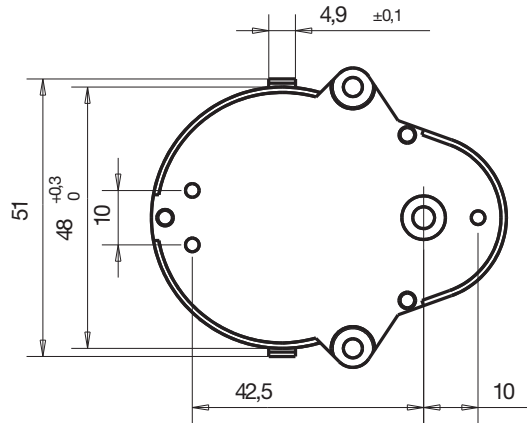
Order Reference

Type	Gearbox	UGM	100	N	N
Ratio	100				
Slipping clutch	N Without slipping clutch				
Shaft end	N ∅ 4 x 10, other on request				

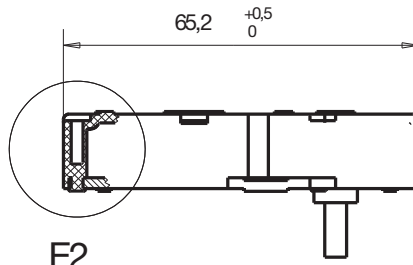
Dimensions



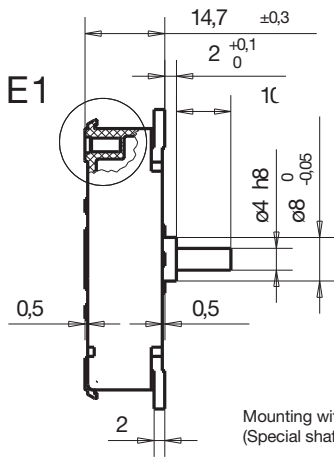
E22:1



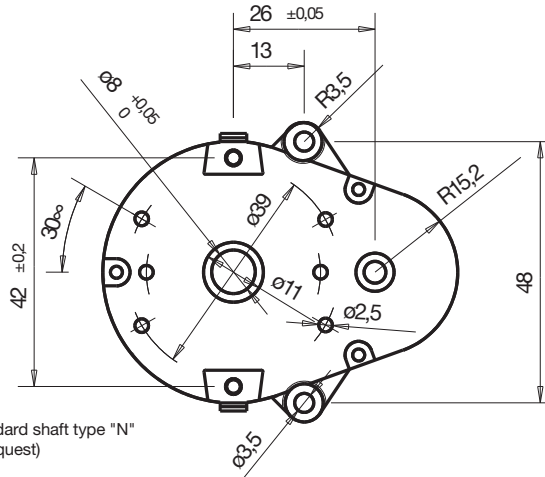
E12:1



E2

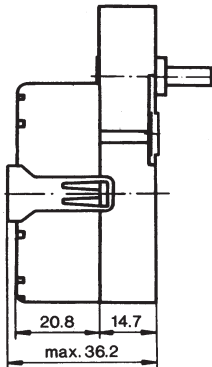


E1

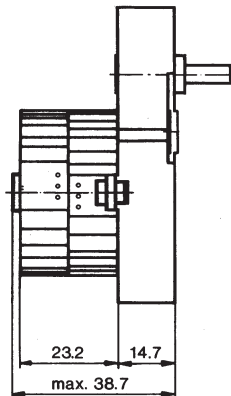


Mounting with standard shaft type "N"
(Special shaft on request)

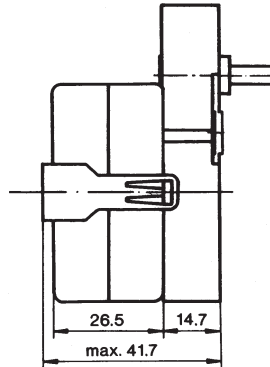
UDS 1..M



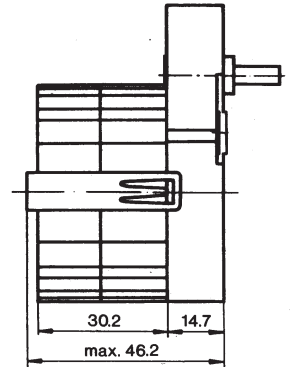
UBR 1..M



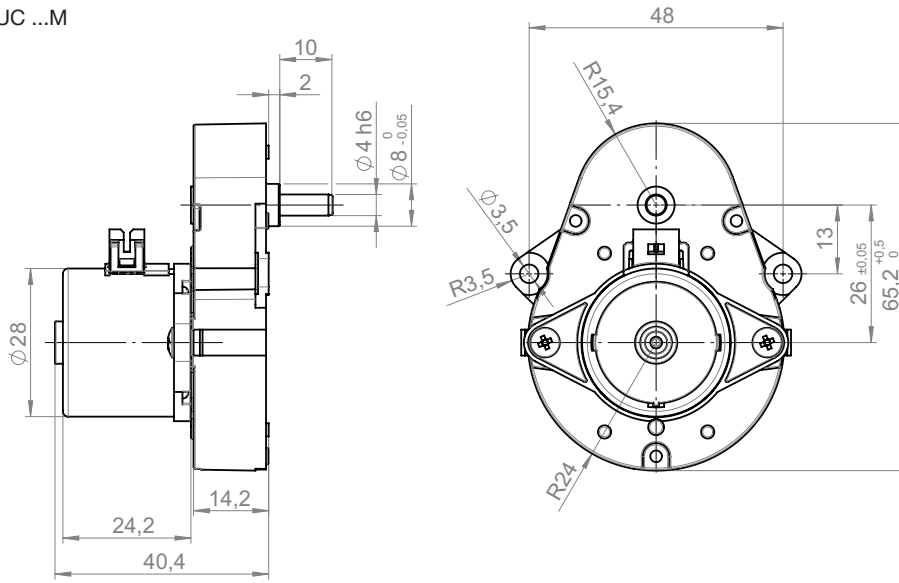
UDR 1..M



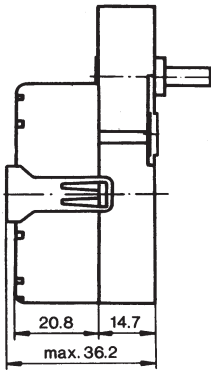
UFM 1/UFU 1/UFR 1..M



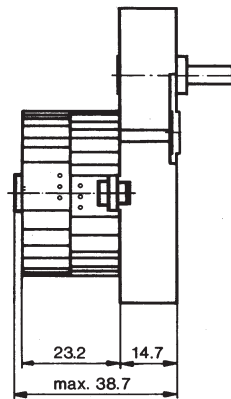
Dimensions UC ...M



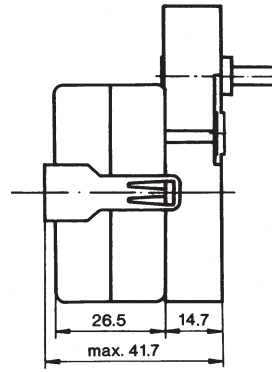
Motor mounting UDS 1..M



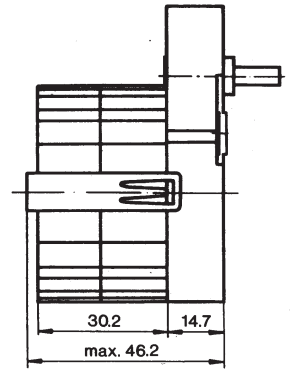
UBR 1..M



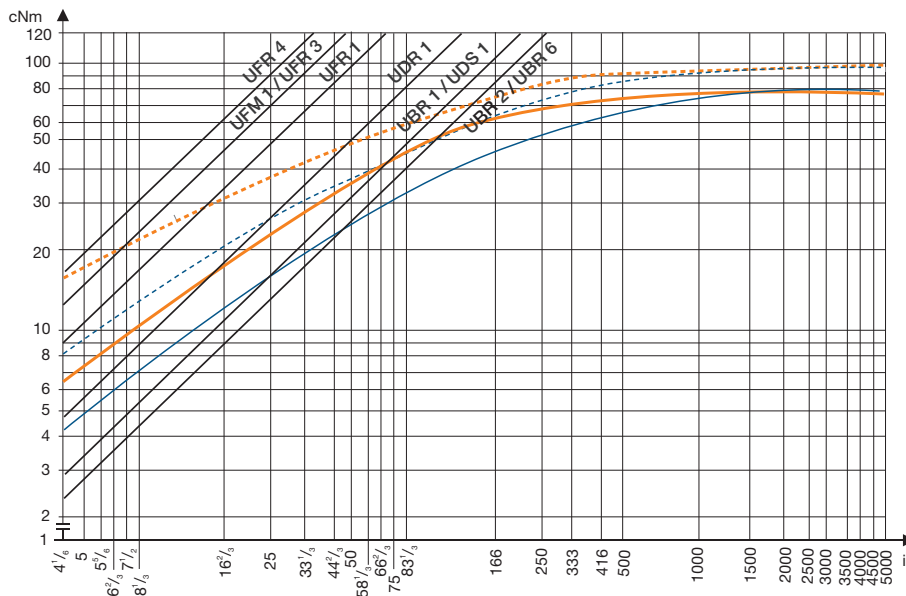
UDR 1..M



UFM 1/UFU 1/UFR 1..M



Torque / ratio / life graph



motor torque with consideration for gear efficiency _____

In combination with motors
n=250 rpm, continuous operation
and $T_{ambient}$
■ 10000 h _____
■ 1000 h _____

In combination with motors
n=500 rpm, continuous operation
and $T_{ambient}$
■ 10000 h _____
■ 1000 h _____