

29 NOV. 1988



**Penny & Giles**  
**Conductive Plastics Limited**  
**Rotary Products Division**

Advance Factory 36  
Cwmfelinfach Gwent  
NP1 7HZ United Kingdom  
Telephone: (0495) 200860  
Telex: 498015 Fax: (0495) 200805

A member of the  
Penny & Giles Blackwood group of companies

CUSTOMER : P&G International  
( MAR-EL )

TYPE : RCP18/1S

SPECIFICATION : D20492

REV : 6 DATE : 17/11/88

© PENNY & GILES CONDUCTIVE PLASTIC LIMITED.  
ROTARY PRODUCTS DIVISION.

This document and any information contained therein are confidential and the copyright of Penny & Giles Conductive Plastics Ltd. Without infringement neither the whole nor any extract may be disclosed, loaned, copied or used for manufacturing or any other purpose whatsoever without their prior written consent and no liability is accepted for loss or damage from any cause whatsoever from the use of this document.

**CUSTOMERS  
COPY**

**Directors**  
R W G Rose OBE (Chairman)  
T M S Jones (Managing)  
K N Hillman (Manufacturing)

**Company Secretary**  
T S S L Gower

I N D E X

Part. 1.

- |       |               |        |
|-------|---------------|--------|
| 1. 1. | Title Page    | Page 1 |
| 1. 2. | Index         | Page 2 |
| 1. 3. | Specification | Page 3 |

Part. 2.

- |       |          |                    |
|-------|----------|--------------------|
| 2. 1. | Diagrams | Page 4.<br>Page 5. |
|-------|----------|--------------------|

Part. 3.

- |       |  |         |
|-------|--|---------|
| 3. 1. | Test Certificate and<br>Record of Revision | Page 6. |
|-------|--|---------|

## SPECIFICATION

D. 20492 .....

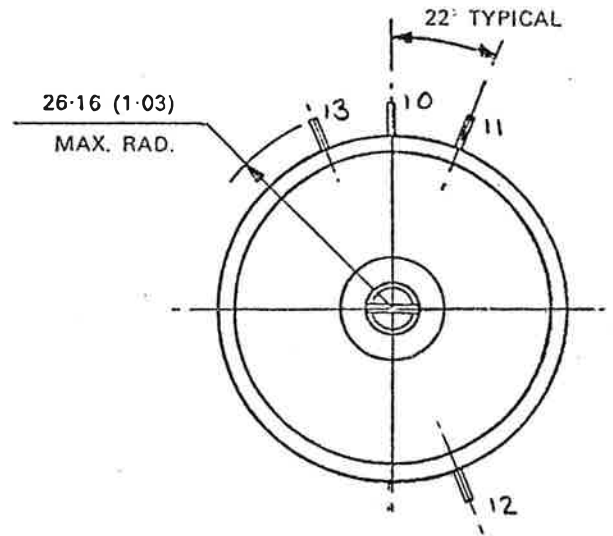
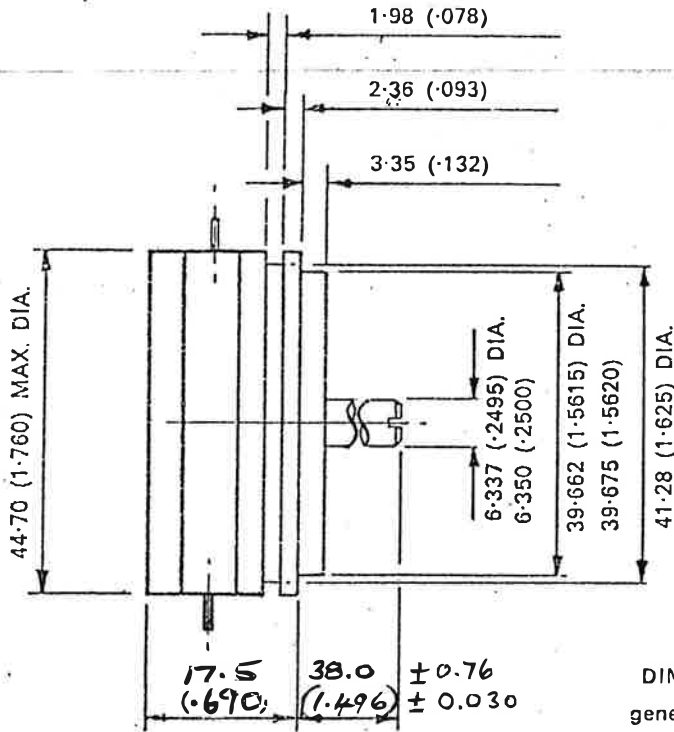
DESCRIPTION.	Rotary Conductive Plastic Potentiometer Type RCP18/1S	
RESISTANCE <u>+10 %</u>		1000 ohms
ELECTRICAL ANGLE <u>± 1°</u>		352°
LINEARITY, INDEPENDENT.		<u>± 0.5%</u>
TAPPING.	Current tap at <u>electrical angle</u>	<u>± 1°</u>
	2	
RESOLUTION		Virtually infinite
POWER DISSIPATION		3 watts at 20°C
INSULATION AT 500 V. D. C.		100 Mohms min
TEMPERATURE RANGE		- 55° to + 125°C
MECHANICAL ANGLE		360°
STARTING TORQUE		12 gm. cm. max.
SHAFT RUN OUT	inches T. I. R.	0.001
LATERAL RUN OUT	inches T. I. R.	0.002
PILOT RUN OUT	inches T. I. R.	0.001
SHAFT END PLAY.	inches	0.000 to 0.003

Rear of unit to be marked with :-

Penny & Giles Ref D20492 iss 6 Var \*

Serial No. -----:

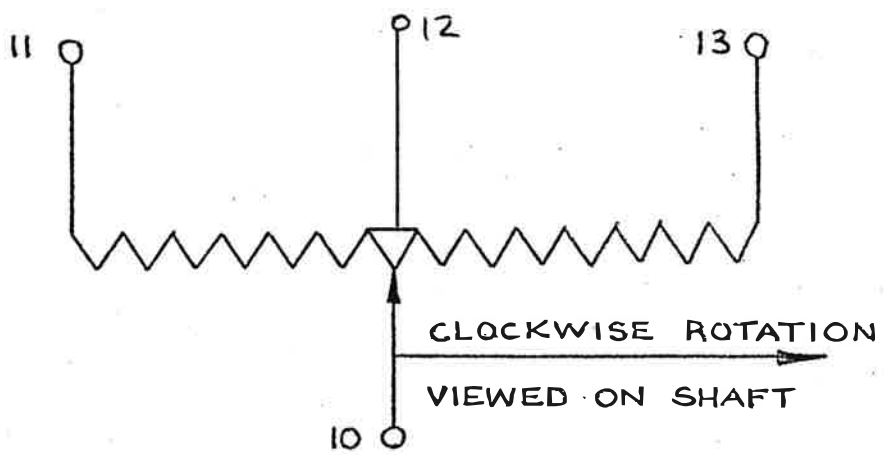
\* SEE ORDER VAR NO.



DIMENSIONS IN mm. (ins.)  
general tolerances ± .127 (.005)

Note

\* See page 6 for current build details



VAR	F.B.H. SHAFT. DESCRIPTION	CONTACT SPRING CARRIER	TRACK STATE.
VAR 1	WAVY WASHER EXTERNAL	SPRING CARRIER	REPIS.
(D22809) VAR 2	EXT/INT. SOLID. SHIM.	RIGID ARM	REPIS TRACK ON 18 SUBSTRATE.
(D22850) VAR 3	"	RIGID ARM. LOCTITED	"
VAR 4	SCREWED FRONT. BEARING HOUSING	FLEXIBLE.	18 TRACK/ 18 SUBSTRATE.
VAR 5	"	FLEXIBLE WITH TOP HAT SECTION	"
VAR 6	SOLID SHIMMED.	FLEXIBLE TOP HAT SECTION	"
VAR 7			