

ELPC Series Linear Motion Potentiometer



- Internal electronic circuit
- Measuring range 50 - 800mm
- Output 4-20mA, 0-20mA or 0-10V
- Very low temperature drift
- Very stable output signal
- Excellent repeatability <0.01mm



Electrical Specifications*

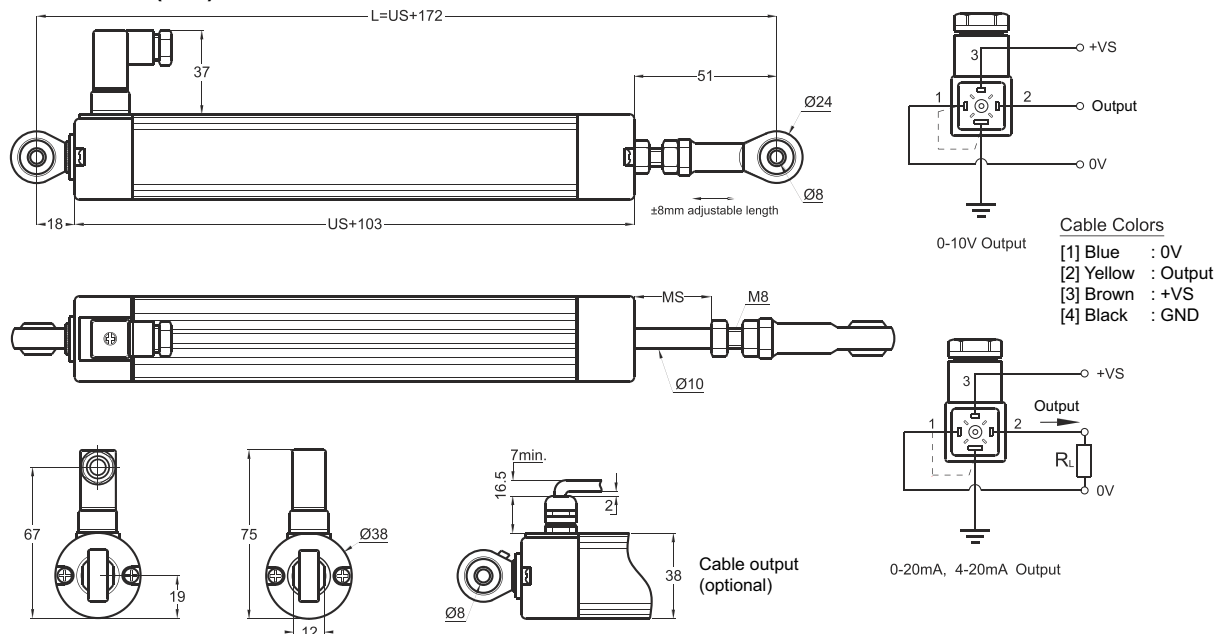
Linearity	±0.5% (<75mm), ±0.2% (75-130mm) ±0.1% (130-200mm), ±0.05% (>200mm)
Resolution	Infinite
Output	4-20mA or 0-20mA (current output) 0-10VDC (voltage output)
Load resistance	100-500Ω (current output) 10KΩ (voltage output)
Update rate	<1ms
Supply voltage	15 - 30VDC
Power consumption	27.5mA (current output) 7.5mA (voltage output)
Temperature coefficient	<15 ppm/°C
Insulation resistance	>100MΩ @ 500VDC

Mechanical Specifications*

Measurement stroke	50 - 800mm (see table below)
Repeatability	<0.01mm
Electrical connections	4 pin connector
Displacement speed	<5 m/s
Mechanical life	100 million movements
Case dimensions	Ø38mm
Case material	Anodized aluminum
Rod material	Stainless Steel
Rod diameter	Ø10mm
Mechanical fixing	Ball joints both ends
IP rating	IP65
Operating temperature	-20°C to +80°C
Storage temperature	-30°C to +90°C
Vibration	5~2000Hz, Amax = 0.75mm, amax = 20G
Shock	50 G, 6ms

* Customers should test and verify part performance in any given application. Specifications subject to change without notice.

Dimensions (mm)



ELPC (mm)	50	75	100	125	130	150	175	200	225	250	275	300	325	350	375	400	450	500	550	600	650	700	750	800
US (Useful stroke)	50	75	100	125	130	150	175	200	225	250	275	300	325	350	375	400	450	500	550	600	650	700	750	800
MS (Mechanical stroke)	55	80	105	130	135	155	180	205	230	255	280	305	330	355	380	405	455	505	555	605	655	705	755	805
L (Total stroke)	222	247	272	297	302	322	347	372	397	422	447	472	497	522	547	572	622	672	722	772	822	872	922	972

P3 America, Inc.
7696 183A Toll Rd.
Unit 7B
Leander TX 78641

Phone: (512) 337-7336
sales@p3america.com
www.p3america.com

ELPC Series Linear Motion Potentiometer



Ordering Code Guide

Model	Measurement stroke (mm)	Linearity (%)	Output	Connector / Cable
ELPC	50	A	V10	C2
ELPC	50 - 800 mm	A: $\pm 0,5$ (<75mm), B: $\pm 0,2$ (75 - 125mm), C: $\pm 0,1$ (130 - 200mm) D: $\pm 0,05$ (>200mm)	I40 : 4-20mA V10 : 0-10V I04 : 20-4mA V01 : 10-0V I20 : 0-20mA I02 : 20-0mA ^o	C2 : 4 pin connector 1M5 : 1.5 meter cable

Examples:

- ELPC 50 A V10 C2 (positive gradient)
- ELPC 50 A V01 C2 (negative gradient)
- ELPC 125 B I4 C2 (positive gradient)
- ELPC 125 B I04 C2 (negative gradient)
- ELPC 500 D I20 C2 (positive gradient)
- ELPC 500 D I02 C2 (negative gradient)