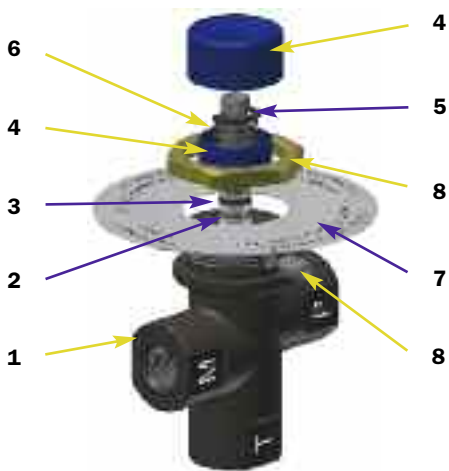


Series EM1 - A



EM1-A (Materials)

- 1 - Body: Cast Iron
- 2 - Pin: Steel
- 3 - Seals: NBR - FPM
- 4 - Knob/Cover: Nylon
- 5 - Stop ring: Steel
- 6 - Spring: Steel
- 7 - Nameplate: Aluminium
- 8 - Nut-Screw: Galvanised Steel

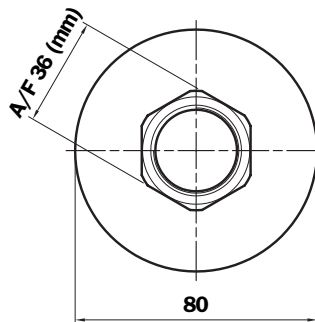
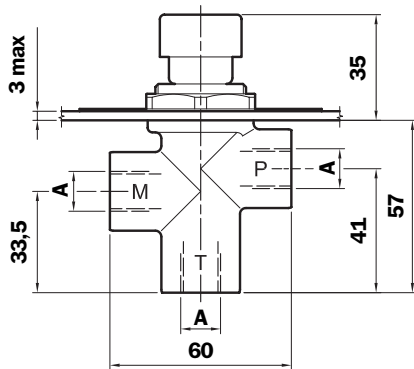
Weight

EM1-A: 0,410 Kg

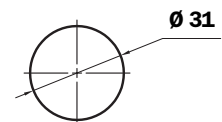
Instructions for using gauge isolators series: EM1 "A"

- 1**
Button not pressed: pressure gauge isolated.
- 2**
Button pressed: pressure gauge reading.
- 3**
Button pressed and turned (either to left or right): button remains in position and pressure gauge measures pressure continuously.
- 4**
To isolate the pressure gauge from pressure reading, turn the button until it returns to the not pressed position.

Dimensions



Mounting holes

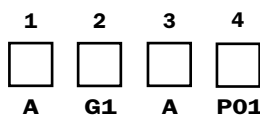


Type	A
G1	G 1/4"
G2	1/4" NPT
G3	SAE 5 (1/2" 20 UNF)

Ordering information

Pressure gauge isolator EM1

Example: EM1



1 - Mounting type

A Panel mounting with hex nut

2 - Connections

- G1** G 1/4"
- G2** 1/4" NPT
- G3** SAE 5 (1/2" 20 UNF)

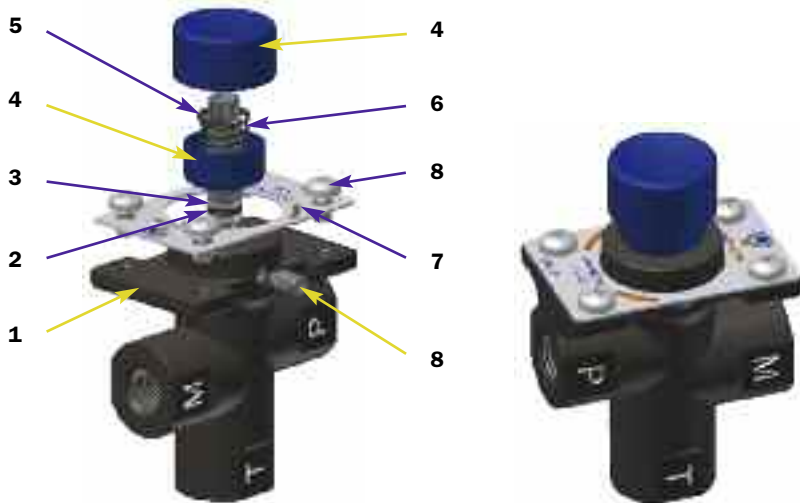
3 - Seal

- A** NBR
- V** FPM

4 - Options

- P01** MP Filtri standard

Series EM1 - B



EM1-B (Materials)

- 1 - Body: Cast Iron
- 2 - Pin: Steel
- 3 - Seals: NBR - FPM
- 4 - Knob/Cover: Nylon
- 5 - Stop ring: Steel
- 6 - Spring: Steel
- 7 - Nameplate: Aluminium
- 8 - Nut-Screw: Galvanised Steel

Weight

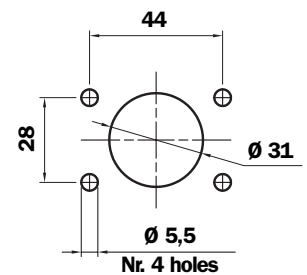
EM1-B: 0,440 Kg

Instructions for using gauge isolators series: EM1 "B"

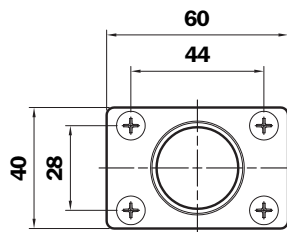
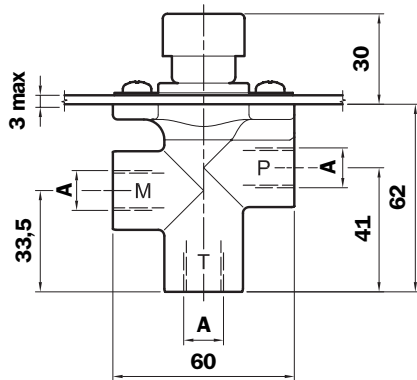
- 1**
Button not pressed: pressure gauge isolated.
- 2**
Button pressed: pressure gauge reading.
- 3**
Button pressed and turned (either to left or right): button remains in position and pressure gauge measures pressure continuously.
- 4**
To isolate the pressure gauge from pressure reading, turn the button until it returns to the not pressed position.

Dimensions

Mounting holes

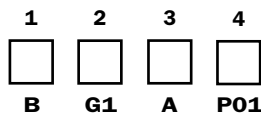


Type	A
G1	G 1/4"
G2	1/4" NPT
G3	SAE 5 (1/2" 20 UNF)



Pressure gauge isolator EM1

Example: EM1



1 - Mounting type

B Panel mounting with screws

2 - Connections

- G1** G 1/4"
- G2** 1/4" NPT
- G3** SAE 5 (1/2" 20 UNF)

3 - Seal

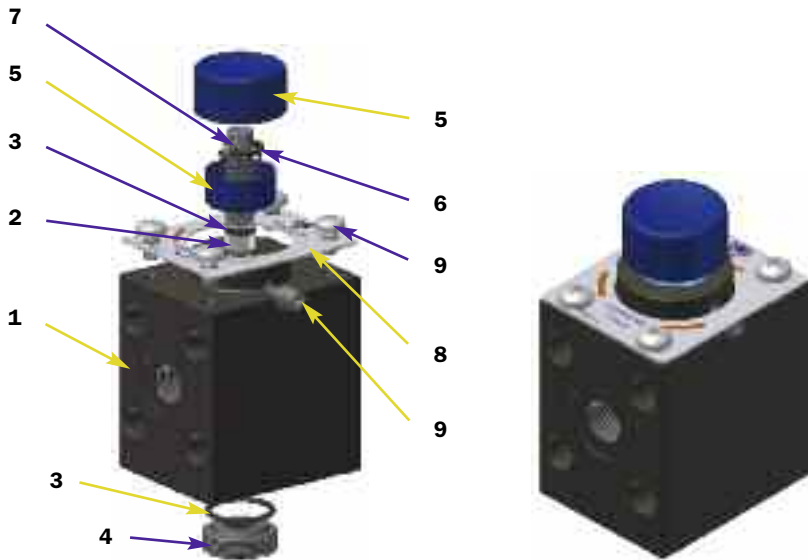
- A** NBR
- V** FPM

4 - Options

- P01** MP Filtri standard

Ordering information

Series EM1 - C



Instructions for using gauge isolators series: EM1 "C"

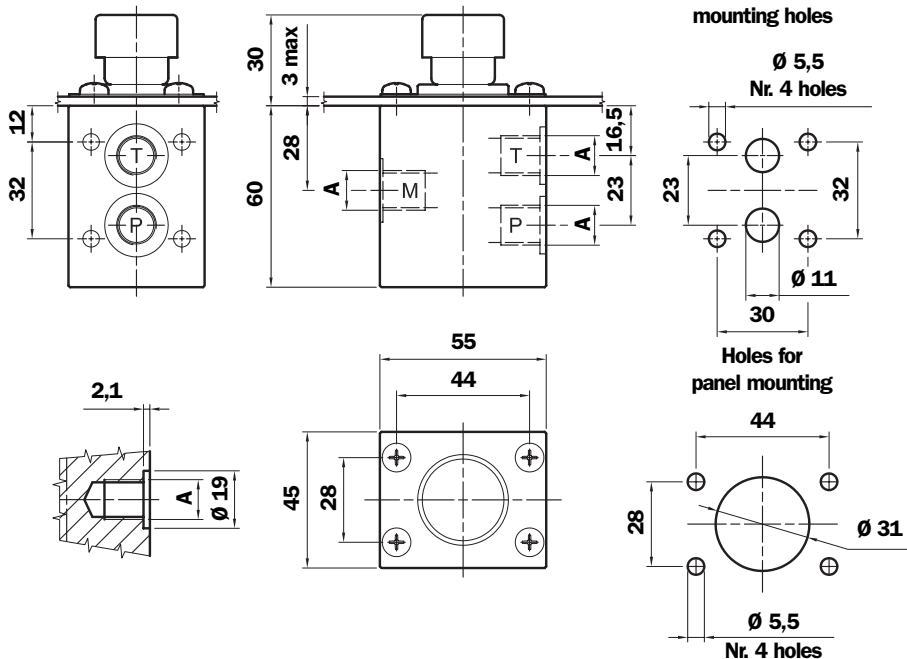
- 1**
Button not pressed: pressure gauge isolated.
- 2**
Button pressed: pressure gauge reading.
- 3**
Button pressed and turned (either to left or right): button remains in position and pressure gauge measures pressure continuously.
- 4**
To isolate the pressure gauge from pressure reading, turn the button until it returns to the not pressed position.

EM1-C (Materials)

- | | |
|-------------------------------------|------------------------------------|
| 1 - Body: Cast Iron | 6 - Stop ring: Steel |
| 2 - Pin: Steel | 7 - Spring: Steel |
| 3 - Seals: NBR - FPM | 8 - Nameplate: Aluminium |
| 4 - Plug: Anodised Aluminium | 9 - Screw: Galvanised Steel |
| 5 - Knob/Cover: Nylon | |

Weight

EM1-C: 1,0 Kg

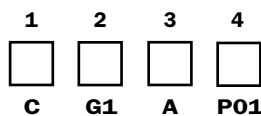


Dimensions

Type	A
G1	G 1/4"
G2	1/4" NPT
G3	SAE 5 (1/2" 20 UNF)

Pressure gauge isolator EM1

Example: EM1



1 - Mounting type

C Universal

2 - Connections

G1 G 1/4"
G2 1/4" NPT
G3 SAE 5 (1/2" 20 UNF)

3 - Seal

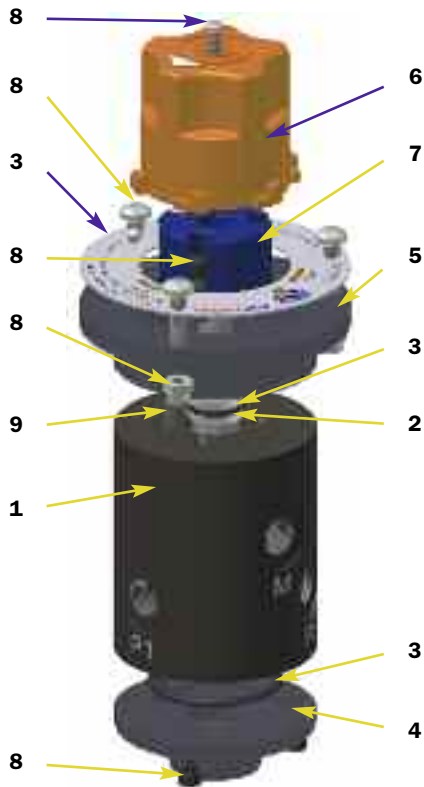
A NBR
V FPM

4 - Options

P01 MP Filtri standard

Ordering information

Series SVM



SVM (Materials)

- 1 - Body: Cast Iron
- 2 - Pin: Steel
- 3 - Seals: NBR - FPM
- 4 - Cover: Anodised Aluminium

5 - Flange: Anodised Aluminium

- 6 - Knob: Nylon
- 7 - Ringnut: Nylon
- 8 - Screws-Nuts: Galvanised/Phosphated Steel
- 9 - Pin: Steel

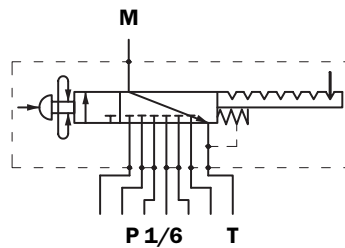
Weights

SVM 3: 1,547 Kg

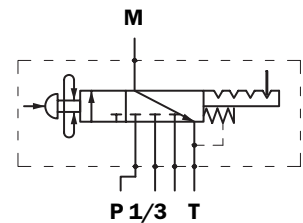
SVM 6: 1,507 Kg

Hydraulic schematics

SVM 6

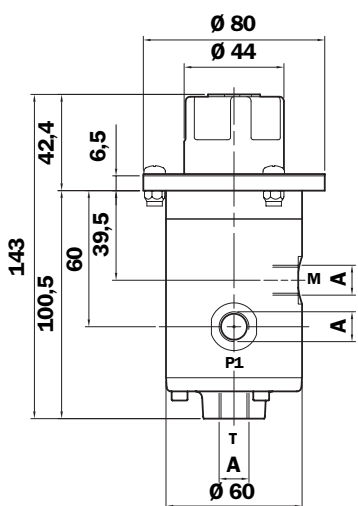


SVM 3

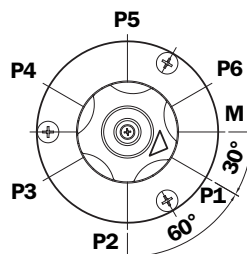
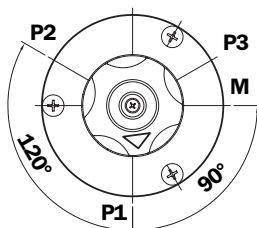
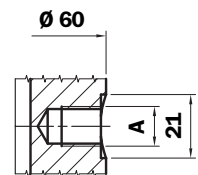
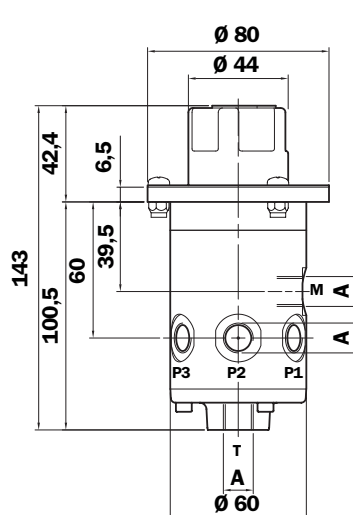


Dimensions

SVM 3

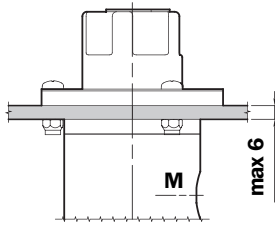


SVM 6

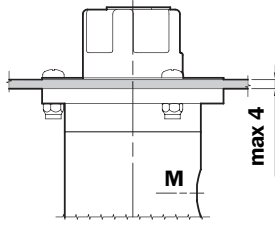
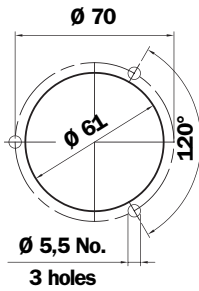


Type	A
G1	G 1/4"
G2	1/4" NPT
G3	SAE 5 (1/2" 20 UNF)

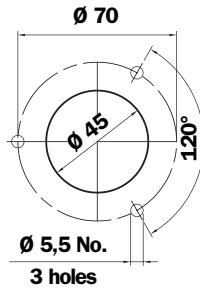
Mounting holes



Type A



Type B



Instructions for using gauge isolators series:

SVM

1

Knob not pressed: pressure gauge isolated.

2

Turn the knob to select the pressure value.

3

Knob pressed: pressure gauge reading.

4

Knob pressed and turned: the knob remains in position and pressure gauge measures pressure continuously.

5

To isolate the pressure gauge from pressure reading, turn the button until it returns to the not pressed position.

Ordering information

Selector for pressure gauge SVM

Example: SVM

1	2	3	4
<input type="checkbox"/>	<input type="checkbox"/>	<input type="checkbox"/>	<input type="checkbox"/>
6	G1	A	P01

1 - Number of connections

3	Pressure ports
6	Pressure ports

2 - Connections

G1	G 1/4"
G2	1/4" NPT
G3	SAE 5 (1/2" 20 UNF)

3 - Seal

A	NBR
V	FPM

4 - Options

P01	MP Filtri standard
-----	--------------------