

PROJ	MARK	REVISIONS	BY	DATE
00008327	E01	SWITCHED TO NEW MAXON WIRE NEWELL LOGO	DAJ	02/10/12
00008311	D01	REMOVED SAFCO SHEET	DAJ	01/05/12
00005403	C02	6.550 WAS 7.266	KKH	09/16/05
00005403	C01	REMOVED WIRE CONNECTOR	KKH	09/16/05
00005666	B03	ADDED WIRE CONNECTOR	CWJ	09/07/00
00005666	B02	DIMENSION WAS .031	CWJ	09/07/00
00005666	B01	CONVERTED TO SOLID EDGE	CWJ	09/07/00
P13625	A7	ADDED MAXON LOGO	PAC	07/22/99
P13625	A6	ADDED L-5 STEATITE INSULATOR	PAC	07/22/99
P13625	A5	KANTHAL D WIRE WAS NICKEL ALLOY	PAC	07/22/99
P13625	A4	ADDED REF DIMENSION TO INSULATOR	PAC	07/22/99
P13625	A3	ADDED REMOVABLE SLOTTED CAP	PAC	05/18/99

**MAXON CORPORATION**  
MUNCIE, INDIANA, U.S.A.

DATE: 11/21/2003 18:17  
CREATED BY: Admin User

DESCRIPTION: 5.875" SI W/0.375" TIP

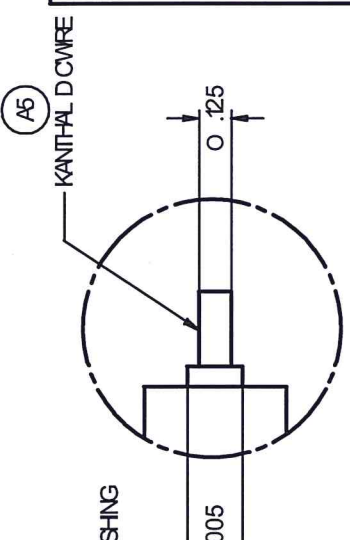
SIZE: B REV: E01  
SHEET: 1 OF 1

47232

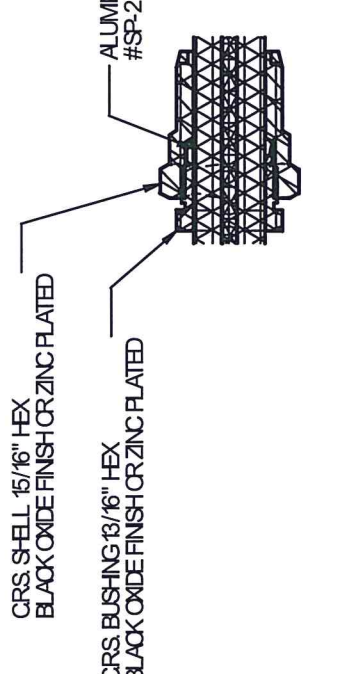
MATERIAL: MP-0000  
\*\*\*\*  
\*\*\*\*

THIRD ANGLE PROJECTION

THIS DRAWING AND ALL INFORMATION ON IT IS THE PROPERTY OF MAXON. IT IS CONFIDENTIAL AND HAS BEEN DISCLOSED TO YOU ON THE CONDITION THAT IT BE KEPT CONFIDENTIAL AND NOT REPRODUCED, COPIED, EXHIBITED OR FURNISHED TO ANY OTHER PERSON IN WHOLE OR IN PART, AND THAT NO PHOTOGRAPHS BE TAKEN OF ANY PRODUCT FABRICATED OR ASSEMBLED HEREON WITHOUT THE WRITTEN CONSENT OF MAXON.



DETAIL D



SECTION C-C

MATERIAL AND PROCESS SPECIFICATIONS  
CHAMPION (P19) ALUMINUM (#1270029-2)  
WESTWACO PRODUCTS

TOLERANCES  
X ±.06  
XX ±.02  
XXX ±.01  
XXXX ±.005  
XXXXX ±.0005  
ANGLES TO BE ±1°  
NO SHARP EDGES OR BURRS