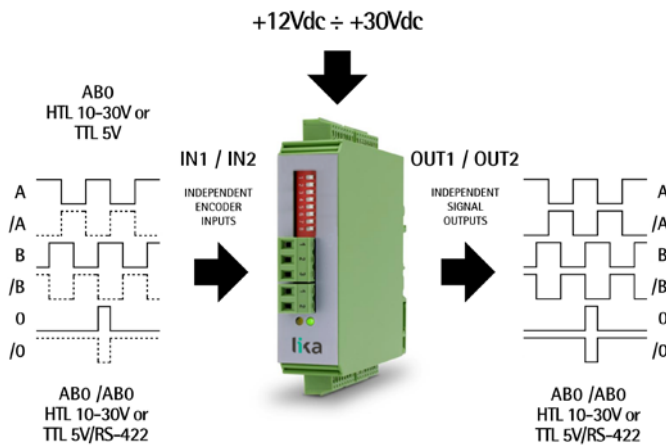


Order code: IF10



FUNCTIONS	
Encoder signal splitter, signal level converter/repeater and encoder cross switcher	
ENVIRONMENTAL SPECIFICATIONS	
Operating temperature range:	-20°C +60°C (-4°F +140°F)
Storage temperature range:	-30°C +75°C (-22°F +167°F)
Protection:	IP20
MECHANICAL SPECIFICATIONS	
Dimensions:	see drawing
Electrical connections:	screw terminals
Weight:	~ 0,1 Kg (3,5 oz)
ELECTRICAL SPECIFICATIONS	
Power supply:	+12Vdc +30Vdc
Consumption:	50 mA (without sensor)
Counting frequency:	RS422 or TTL differential: 1 MHz HTL or TTL: 250 kHz
Sensor input:	see diagram
Output current:	RS422/TTL: 50 mA HTL: max. 30 mA (per output)