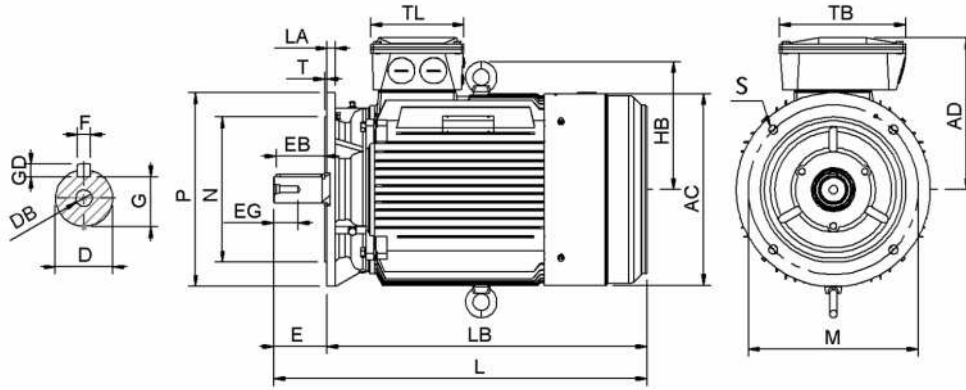


Data Sheet

Itemnumber....: 5522001200



AC = 396	DB = M20	EG = 50	GD = 10	L = 769	LE = 737	P = 400	TB = 260
AD = 313	E = 110	F = 16	H = 200	LA = 17	M = 350	S = 4-Ø18.5	TL = 192
D = 55	EB = 100	G = 49	HB = 264	LB = 659	N = 300	T = 5	

<p>Version</p> <p>Type.....: HMC3 200L2-2 Design.....: Induction motor Standard series.....: IEC 60034 Phase / Voltage range.....: 3~ / Low</p> <p>Electrical design</p> <p>Efficiency.....: IE3 Pole.....: 2 Power at 50 Hz (kW).....: 37,0 Hz.....: 50 Voltage.....: 400VD/690VY Winding voltage.....: 400VD/690VY 50 Hz Power output (kW).....: 37,0 Duty.....: S1 Insulation class.....: F Temperature rise.....: B</p> <p>Motor protection</p> <p>Thermal protection main....: PTC 3x 155 dgr Thermal protection second.: None Space heater.....: None Temperature detector.....: No SPM.....: No IR wire.....: No Tropical insulation.....: No</p> <p>Explosion protection</p> <p>According to.....: None Type of protection.....: None</p> <p>General</p> <p>Direction of rotation.....: CW Painting.....: RAL 9005 Gloss 10 Nameplate.....: Multivoltage Special packing.....: No Special requirements.....: No</p>	<p>Mechanical design</p> <p>Frame size.....: 200 Mounting.....: B5 Rain cap.....: No Protection class.....: IP55 Cooling method.....: IC411/TEFC External grounding.....: Yes Drain hole.....: Yes Frame material.....: Cast Iron Material approval.....: None Shaft.....: IEC standard Key.....: Closed key Balancing.....: Half key balancing Vibration class.....: Grade-A Weight (kg).....: 267</p> <p>Environment condition</p> <p>Ambient temp. min. (°C)..: -20 Ambient temp. max. (°C)..: 40 Altitude (mtr up to).....: 1000</p>	<p>Bearing</p> <p>DE Bearing.....: 6312/C3 NDE Bearing.....: 6312/C3 Fixed bearing.....: DE</p> <p>Terminal box</p> <p>Tbox position.....: Top Cable entry direction.....: Right (from DE) Cable entry Main.....: 2 x M50x1,5 Metal blindcaps Accessory.....: 2 x M20x1,5 Metal blindcaps Connection type.....: Delta (D) Terminal board thread.....: 6-M8</p> <p>Test values</p> <p>Rotor inertia (kgm²).....: 0,22 Noise level (dB(A)).....: 82 No load current (A).....: 16,2 Winding resist. (ohm).....: 0,15 Starting time (sec.).....: 0,18 Temp. rise winding (K).....: 55 Temp. rise surface (K).....: 39</p>
---	---	--

Rated power (kW)	37,0	36,0	44,5	43,0
Frequency (Hz)	50	50	60	60
Voltage (V)	400 690	380 660	480 830	440
Connection	D Y	D Y	D Y	D
Full load current (A)	63,0 36,5	65,0 37,5	63,0 36,5	65,0
Speed (rpm)	2970	2970	3560	3560
Power factor cos(phi)	0,91	0,92	0,91	0,92
Efficiency, 100/75/50 (%)	93,7/93,7/92,8	93,7/93,7/92,8	93,7/93,7/92,8	93,3/93,3/92,3
Ist/In	9,1	8,0	9,1	8,3
Full load torque (Nm)	118	116	118	116
Tst/Tn	3,7	3,4	3,7	3,2
Tmax /Tn	3,7	3,4	3,7	3,2
Duty	S1	S1	S1	S1
Ambient temp. (°C)	40	45	40	45