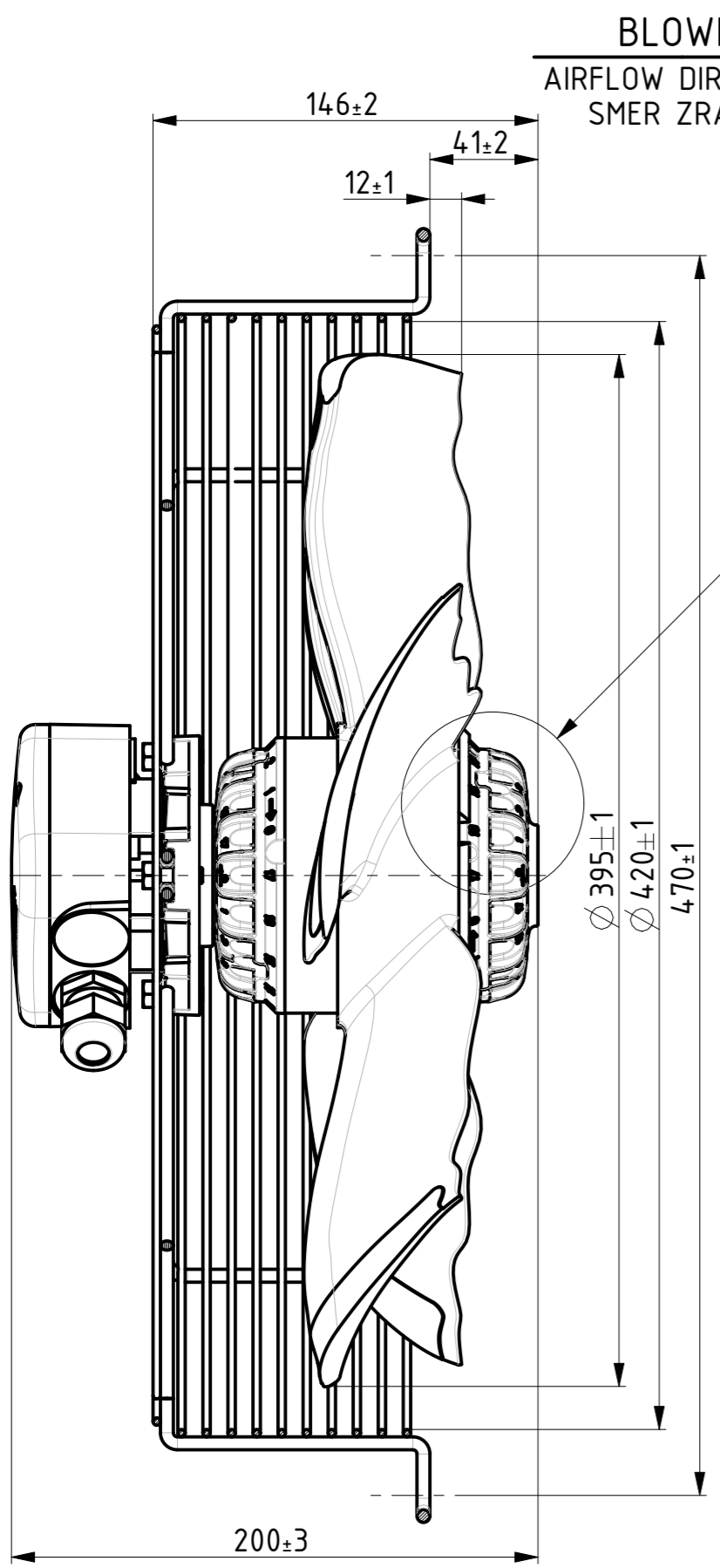
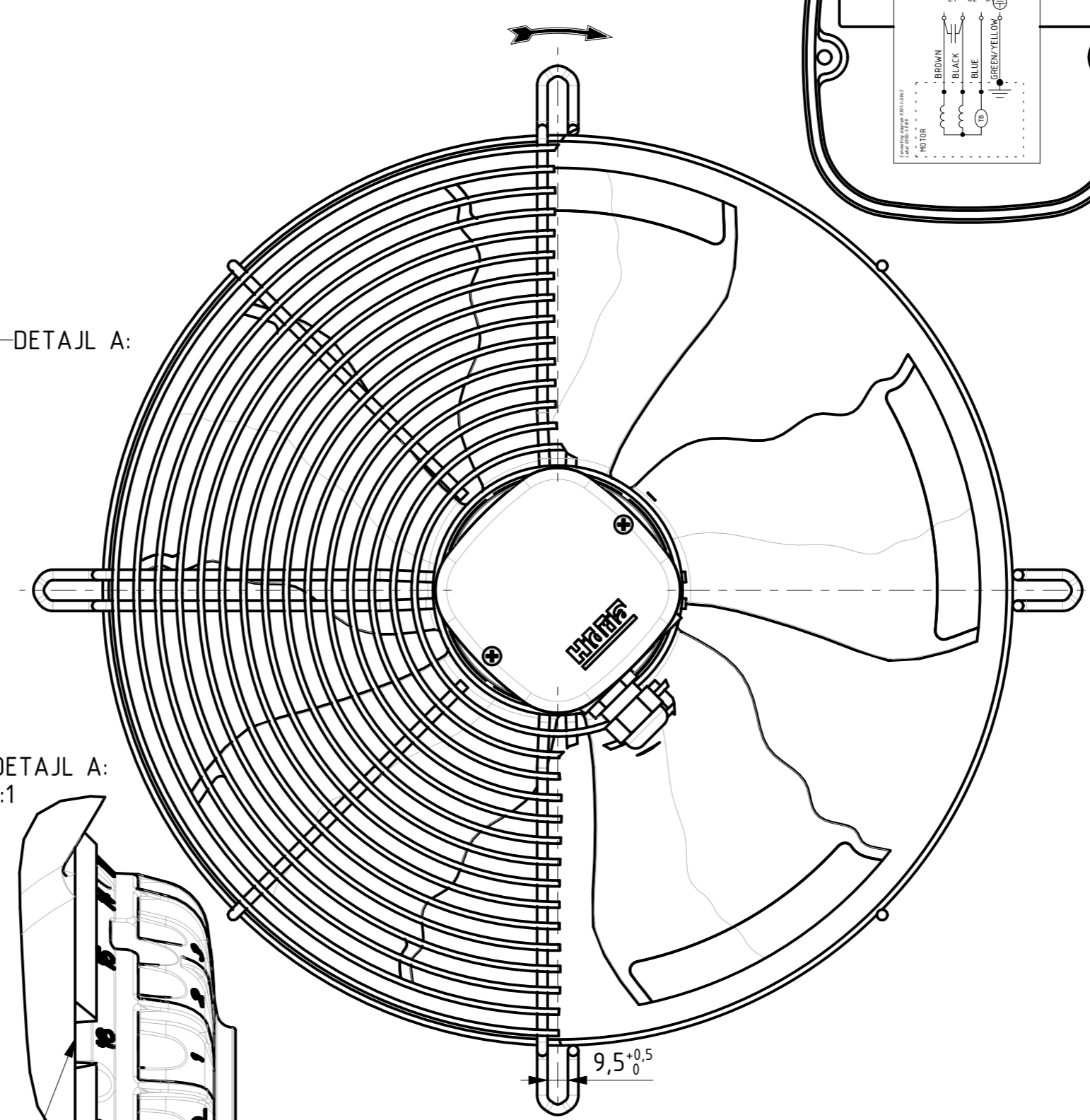


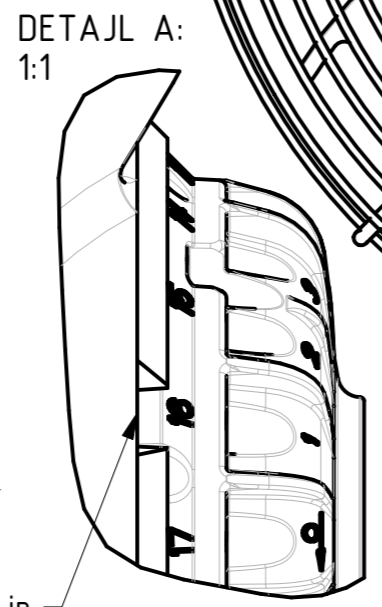
Vsak prenos tretjim osebam in uporaba v nedogovorjene namene ni dovoljen. This document must not be copied without our written permission and/or transferred to a third party for any unauthorized purpose.



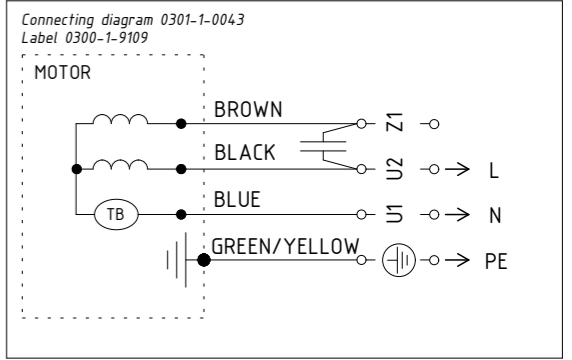
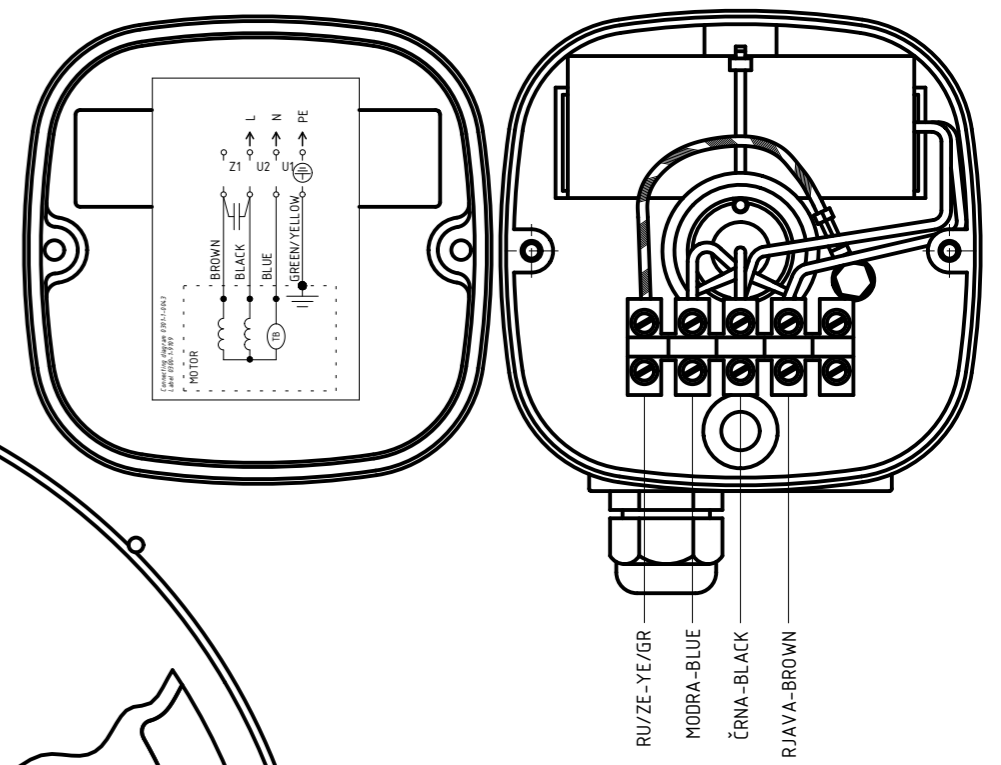
BLOWING
AIRFLOW DIRECTION
SMER ZRAKA



DETAJL A:



Rob rotorja in rob prirobnice elise ventilatorja morata biti poravnana



Hidria MADE IN SLOVENIA **CE** DATE

R11R-40LPB-4M-5150 0311-4-0342

1~230V 50/60Hz 190/260W 0,85/1,10A 1310/1450RPM
MAX.AMB.70/55° C IP54 INS.CL.155 C=6,3pF/450V
TH.PROT. ROT. ←

ErP: Effes=30,9% (A,static) N=41,5

Hidria		NETOLERIRANE MERE UNTOLERANCED DIM.	ISO 2768-m	MERILO/FORMAT 2.5 / A3
Izdano		POVRŠINSKA OBD. SURFACE TEXTURE		MATERIAL
		RISAL	11-Avg-2009	Uroš K.
		PROJEKTIRAL	11-Avg-2009	Matej B.
4	271/12	05-Dec-2012	Uroš K.	
3	184/10	17-Avg-2010	Uroš K.	
2	359/09	02-Okt-2009	Uroš K.	
1	286/09	11-Avg-2009	Uroš K.	
ST.	ST.SPR.	DATUM	PODPIS	
				NAZIV: TITILE: VENTILATOR R11R-40LPB-4M-5150
				KODA: CODE: 0311-4-0342 0311-4-0342
				VERZIJA: REV: AB
				LIST: SHEET: 1
				OD: OF: 1

Opombe:
- navodilo za kontrolo ventilatorja 0301-1-4679
- checking instruction 0301-1-4679