

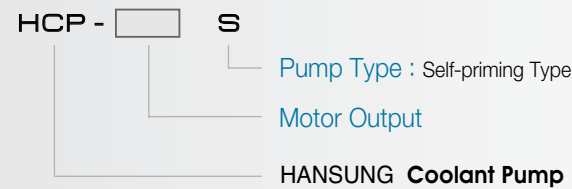


### Feature

1. A compact, lightweight single-unit pump.
2. The small, design means less installation limitations
3. Prolonged idling is prohibited due to the installed mechanical seal. (Idling for more than 30 seconds is prohibited)
4. Sufficient quantities of oil need to be supplied to the self-priming compartment before use

### Structure

- A single-unit small self-priming pump
- A pipe is connected to the suction part to suck in oil.

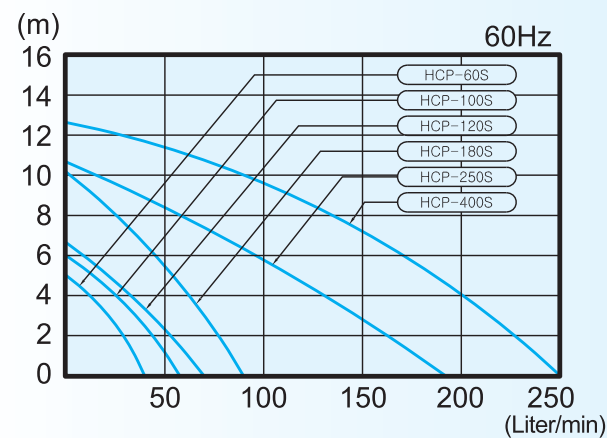
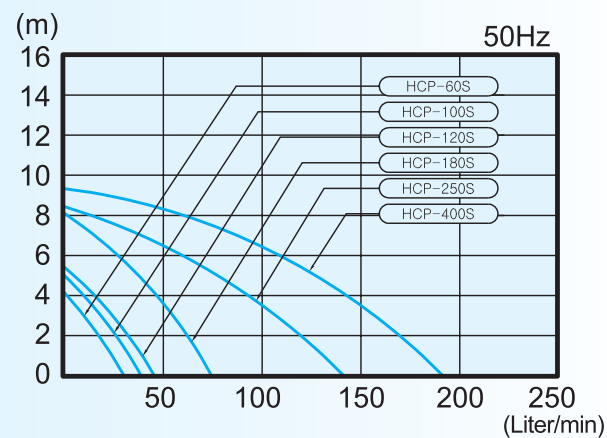


### Pump Spec.

Type	Specification	MOTOR					PUMP			
		OUTPUT (W)	FREQUENCY (Hz)	VOLTAGE (V)	CURRENT (A)	PHASE	POLES	TOTAL HEAD (m)	DIS. VOL (ℓ/min)	PIPE SIZE (PT)
HCP-60S	60	50	200	0.42	3	2	2	20	3/8	6.9
		60	200/220	0.24				25		
HCP-100S	100	50	200	0.51	3	2	2	30	3/8	7.1
		60	200/220	0.26				36		
HCP-120S	120	50	200	0.56	3	2	2	35	3/8	9.1
		60	200/220	0.32				42		
HCP-180S	180	50	200	0.93	3	2	3	58	1/2	11.1
		60	200/220	0.35				70		
HCP-250S	250	50	200	1.4	3	2	4	95	3/4	11.3
		60	200/220	0.57				130		
HCP-400S	400	50	200	2.4	3	2	5	140	1	15
		60	200/220	1.5				200		

### Performance Curve

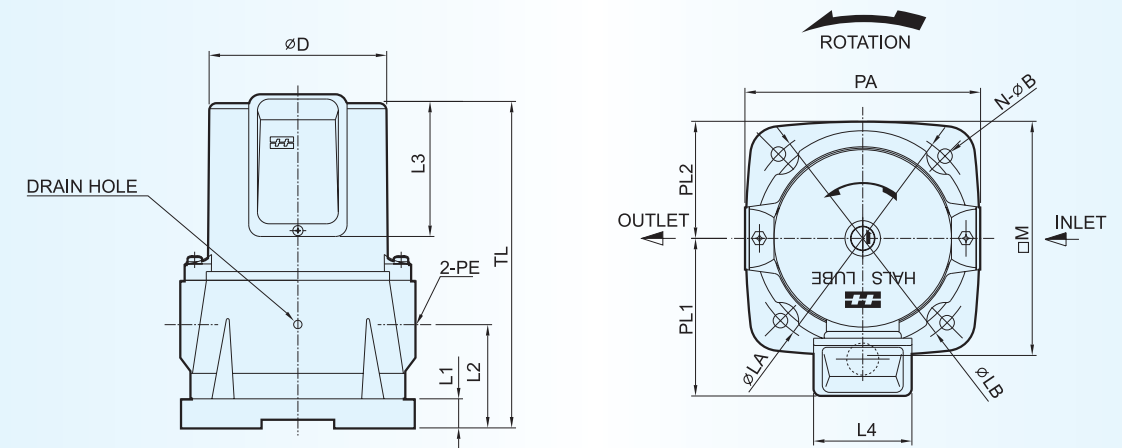
Oil for Testing : ISO-VG2, temperature 20°C



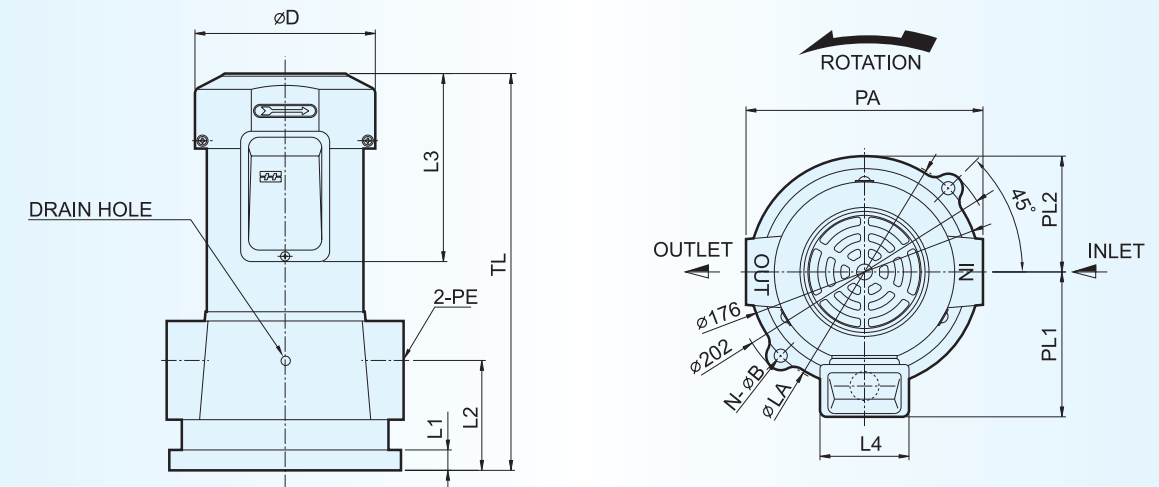
※ When using non water-soluble cutting fluid, viscosity must be under 32cSt. Pump performance (pressure and oil quantity) will decrease compared to water-soluble cutting fluid.

### External Figure

#### HCP-60S-250S



#### HCP-400S



### Dimension

※ LA, LB ( ) are products for export

Type	Item	ø D	L1	L2	L3	L4	PE(PT)	TL	LA	LB	N-øB	PA	M	PL1	PL2
HCP-60S		94	15	55.5	92.5	67.6	2- $\frac{3}{8}$	200.5	132(132)	150(130)	4-7	130	130	93.5	65
HCP-100S		94	15	55.5	92.5	67.6	2- $\frac{3}{8}$	200.5	132(132)	150(150)	4-7	130	130	93.5	65
HCP-120S		94	15	55.5	92.5	67.6	2- $\frac{3}{8}$	200.5	132(132)	150(150)	4-7	130	130	93.5	65
HCP-180S		121	15	66	93	67.6	2- $\frac{1}{2}$	218.5	167(160)	170(164)	4-10	162	160	108.5	80
HCP-250S		121	20	71	93	67.6	2- $\frac{3}{4}$	224.5	167(160)	170(170)	4-10	162	160	108.5	80
HCP-400S		137	14.5	83	143	67.6	2-1	301	180(180)	-	2-10	180	-	110	88