

FRS923 Filter regulator



Control of instrument supply air pressure, and removal by filtration of dust particles and water content. Mounting brackets inclusive.

FEATURES

Pressure reducer and supply air station:

- Minimal effect of upstream pressure fluctuation.
- Low inherent air consumption.
- With or without filter
- Ambient temperature range -40 to $+80$ °C
- Explosion protection II 2 G c IIC T4 -T6
ATEX - Constructive design
CU TR - Constructive design

TECHNICAL DATA

Filter regulator

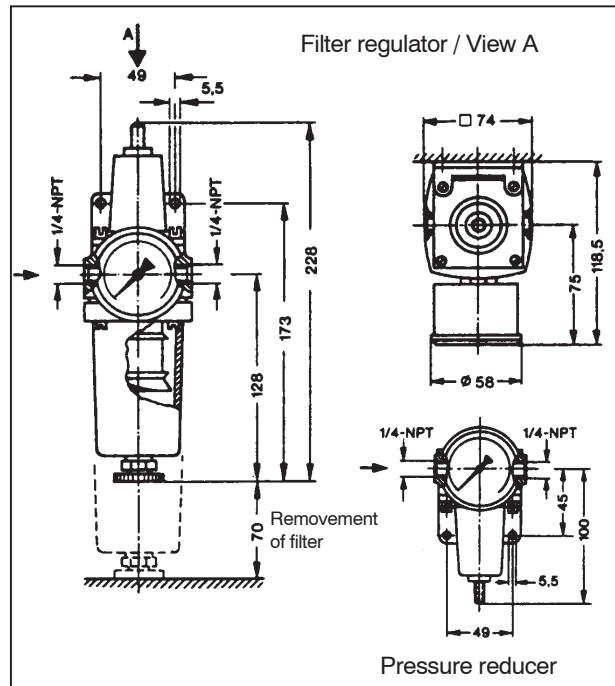
Pressure reducer, including mounting bracket and filter bowl

- Input max. 15 bar / 1.5 MPa / 15 kg/cm² / 220 psi
- Control range 0 to 2.5 bar/0 to 35 psi (Code -1)
0 to 6 bar/0 to 90 psi (Code -2)
- Indicating range 0 to 2.5 bar/0 to 35 psi (Code -1)
0 to 10 bar/0 to 145 psi (Code -2)
- Error limit Class 2.5
- Air throughput Qn max. 24 m³/h *
- Upstream press. dependency ≤ 1 mbar/0.1 bar
- Max.inherent air consumption ≤ 0.001 m³/h *
- Location class IP 54 acc. to IEC 529
- Area classification D2 acc. to IEC 654/1
- Ambient temperature range -40 to +80 °C **
- Mounting Wall mounting/Pipe mounting
- Nominal position NL 90
- Pneum. connections internal thread 1/4 – 18 NPT

Materials:

- Filter: Sintered bronze, diffusion tinned, filter grade 30 μm
- Filter bowl: Diecast Aluminum
- Gauge: housing, plastic; measuring system, brass
vers. without nonferrous metal, Mat. No. 1.4571
- Weight approx. 1 kg

DIMENSIONS



* Measured at 7 bar upstream pressure and 1.4 bar output pressure, based on standard reference conditions.
** The supply air must be dry for operation at temperatures below 0 °C (observe dew point)

MODEL CODES

Pressure Regulator without or with Filter	FRS923	020715
Control range		
0 to 2.5 bar; 0 to 35 psi; 0 to 250 kPa	-1	
0 to 6 bar; 0 to 90 psi; 0 to 600 kPa	-2	
Version		
Pressure Regulator without Filter	R	
Pressure Regulator with Filter	S	
Gauges		
Without (a)		W
Gauge DN50 and 3 scales (kPa/bar/psi) (b)		K
SS Housing Gauge DN50 and 3 scales (kPa/bar/psi) (c)		V
Options		
Indication Range In kg/cm ²		-A
Version Free Of Non Ferrous Metal.		-C
Protection Class IP65		-F
CU TR - EAC approved for Intrinsic safety		-R
Assembled free of oil and grease / Designed for Auxilliary Energy Oxygen		-S
Tag No. Labeling: Stamped With Weather Resistant Color		-G
Tag No. Labeling: Stainless Steel Label Fixed With Wire		-L
(a) Not available with Options -A (b) Not with Options -C (c) Not with Options -A		

Subject to alterations – reprinting, copying and translation prohibited. Products and publications are normally quoted here without reference to existing patents, registered utility models or trademarks. The lack of any such reference does not justify the assumption that a product or symbol is free.

FOXBORO ECKARDT GmbH
Pragstr. 82
D-70376 Stuttgart
Germany
Tel. +49 (0)711 502-0
Fax +49 (0)711 502-597
<http://www.foxboro-eckardt.com>

ECKARDT S.A.S.
20 rue de la Marne
F-68360 Soultz
France
Tel. + 33 (0)3 89 62 15 30
Fax + 33 (0)3 89 62 14 85

DOKT 535 786 024

