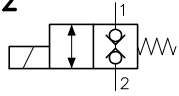
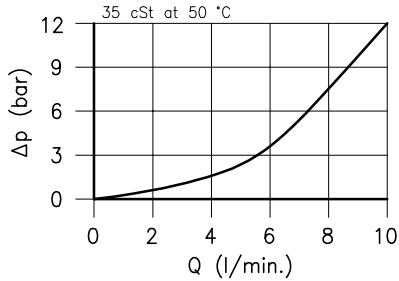
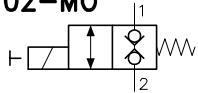


Technical features

02

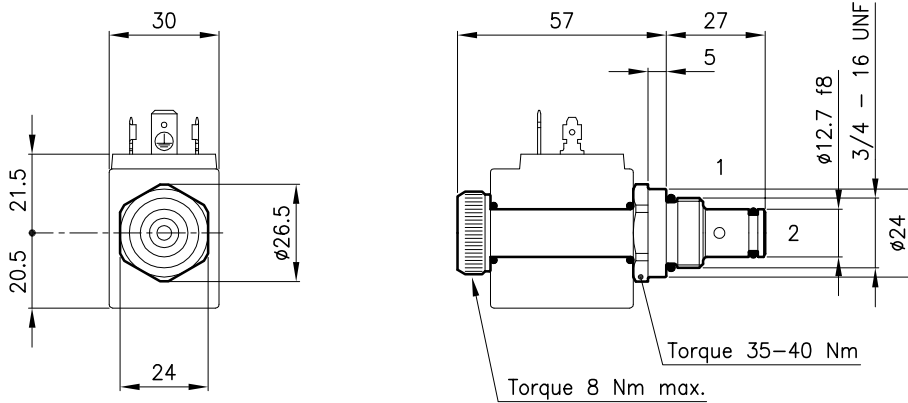


02-MO



Cavity (For dimensions see catalogue 17.001)	S 28/2
Max. flow (l/min.)	10
Max. pressure (bar)	210
Response time (ms) <small>It change in function of circuit, pressure, flow and fluid viscosity.</small>	20 - 40 (Mean value)
Fluid viscosity range (cSt)	2.8 - 380
Fluid temperature range (°C)	-20 +80
Mass (kg)	0.120
Hydraulic fluid; mineral oil HM and HV ISO 6074	
Recommended filtration; 19/15 ISO 4466 (25 μ absolutes)	
Standard seals in Polyurethane and Buna N	

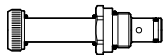
Dimensions



Ordering informations

ECD 28/2202-R-MO

ECD 28/22.. = Valve type



Circuits

2202 =

Version for the Coils B28 series

MO = Manual override
(Omit if not request)

Codes:

ECD 28/2202-R	25 011 172
ECD 28/2202-R-MO	25 011 171
External seals kit	90 620 112

ECD 28/22.. valves can be assembled on standard bodies 28-L0 series; for dimensions see catalogue 16.010

On the ECD 28/. -R valves must be assembled the Coils B28 series; for dimensions, features and codes see catalogue 09.902.