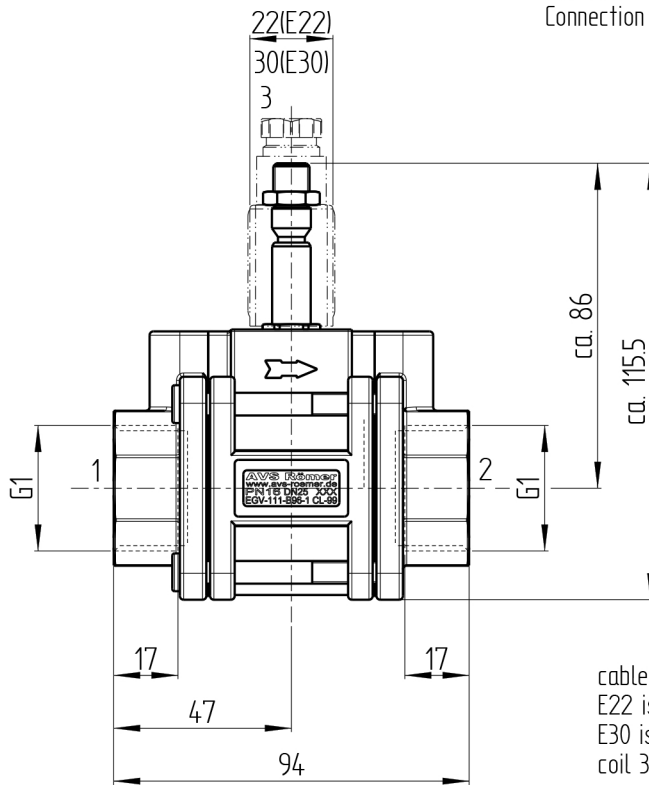
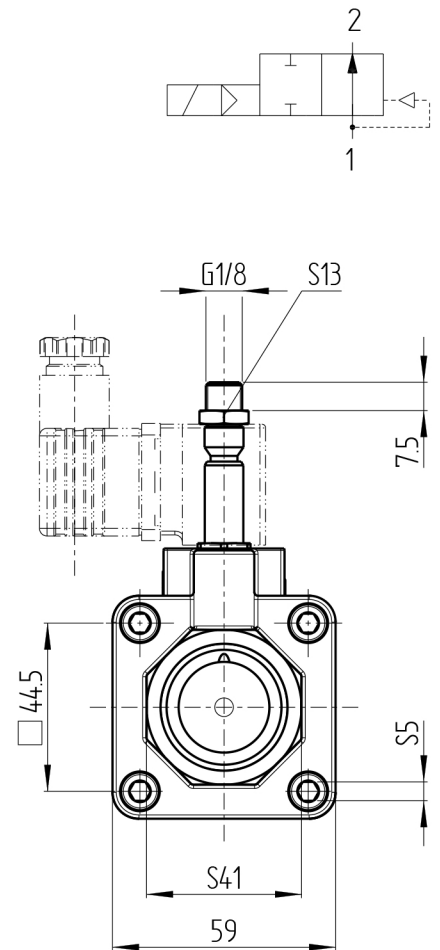


When the solenoid is deenergised the control chamber volume is discharged for a short period through "3". When necessary, this must be led away.
Connection G 1/8



coil plug for coil
E22 is 2x180° and for coil
E30 is 4x90° repositionable
coil 360° rotatable



SPECIFICATION

General

Construction	Silent membrane solenoid valve with coaxial flow	
Description	2/2 solenoid valve	
Operation	Electrical, servo-controlled	
Model type	EGV-111-B96-1CL-00	
Function	"B" normally closed	
Nominal diameter	DN 25	
Connection	G1	
Ambient temperature	-20 °C up to +60 °C	
Medium temperature	-10 °C up to +90 °C	
Medium viscosity	Up to approx 20 mm ² /s	
Material	Valve body:	Brass
	Diaphragm supporting unit:	fiber-reinforced plastic material
	Other internal parts:	Stainless steel and non-ferrous metal
Weight:	838.1 g	Seal material: CR
Fixation	Fitting in rigid pipe system	
Mounting position	Any, preferably upright	
Pneumatic - Hydraulic		
Nominal pressure	PN 16	
Pressure range	0.2 up to 16 bar	
Kv-rate water	16.8 m ³ /h	
Mediums	Gases or liquids which do not corrode the materials specified	
Response time	opening time: approx. 20 ms - 2 s; closing time: 25 ms - 5s depending on the medium	
Electric		
Possible voltages	AC/DC	

2020	Date	Name
Drawn	20.11.	W.Weghofer
Checked	20.11.	A.Mück

Scale

Description:

EGV-111-B96-1CL-00
2/2 solenoid valve

(without coil)
Order-number.: 613758



613758-00D