

STOP SCREWS, SENSORS, CABLES, AND HEIGHT GAUGES

SECTION 8

meto-fer®
automation

Your complete source for industrial automation and electronics

METO-FER USA

www.meto-fer.com

1-888-638-6337

Table of Contents

	PAGE
Sensor and Cable Reference Codes1
Namur, PNP, and NPN Information2
Precision Stop System with Sensing Element3
Marking of Cables and Connectors4
Inductive Proximity Switches	
Size	
\varnothing 3mm5
\varnothing 4mm / 4mm x 4mm6
M5 x 0.5mm7
6mm x 6mm / \varnothing 6.5 mm8
M8 x 1mm9
8mm x 8mm / M12 x 1mm10
M18 x 1mm11
Sensing Elements	
Type	
Electronic NAMUR (QE-AX)/Electronic LOGIC (QE-NS/ PS)12
Electo-mechanical (QE-EB)/Pneumatic (P)13
Stop Screws for Sensing Elements13
Stop Screws with Extended Stroke for Sensing Elements14
Height Gauge15

Sensor reference codes

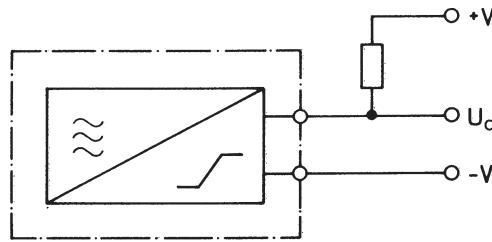
Designation	Casing form	Output technique	Switching function	Cable or connector	Status indicator	Option
XX - XXX	X	X - XX	X - X			
IR Inductive round IM Inductive quadratic QE Sensing elements	003 Ø 3 mm 004 Ø 4 mm 4x4 mm 005 M5 006 6 x 6 mm 065 Ø 6.5 mm 008 8 x 8 mm M8 x 1 010 Ø 10 mm 012 M12 x 1 018 M18 x 1 022 12 x 22 mm 812 8 x 12 mm 525	A Analog N NPN Output P PNP Output E Electromechanical R Controllable extern D Digital	S Normally open O Normally closed H Light on D Dark on B Normally open and Normally closed X Vacant	U2 Cable PUR 2 meter U5 Cable PUR 5 meter U9 Cable PUR 9 meter 01 Connector Meto-Fer 02 Connector Meto-Fer threaded connection 10 3-Channel connector 11 3-Channel connector threaded connection 30 4-Channel connector threaded connection	L with LED 0 without LED	A without corporate name Meto-FerElektronik AG

Cable reference codes

Designation	Connector form	Number of leads	Cable cross section	Cable and length	Status indicator
XX - XXX	-	X	X - XX	X	
ST Cable	01G Meto-Fer connector straight 02G Meto-Fer connector straight threaded connection 10G 3 Channel connector straight 10W 3 Channel connector right angle 11G 3 Channel connector straight threaded connection 11W 3 Channel connector right angle threaded connection 30G 4 Channel connector straight threaded connection 30W 4 Channel connector right angle threaded connection	2 Lead 3 Lead 4 Lead	A 0.14 mm B 0.25 mm	U2 Cable PUR 2 meter U5 Cable PUR 5 meter U9 Cable PUR 9 meter	X without LED

NAMUR, PNP and NPN Information

NAMUR Proximity Switch:



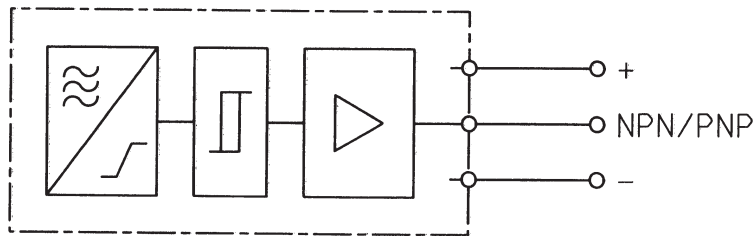
NAMUR-proximity switches have 2 wires which are connected to the supply with a current limiting resistor. The value of the limiting resistor depends on the supply voltage. According to NAMUR, the limiting resistor has a value of 1kOhm at a supply voltage of 8.2V (Temp = +20°C (+68°F)).

When the load is activated, the current consumption of the proximity switch is small; i.e. the voltage drop over the sensor element is large.

When the load is not activated, the current consumption of the proximity switch is large; i.e. the voltage drop over the sensor element is small.

Caution: A serial mounting of NAMUR proximity switches is not allowed!

LOGIC Proximity Switch:



All logic proximity switches that are alternatively available in PNP or NPN version have 3 wires. The PNP-output signal is measured between the PNP-output wire and the negative-voltage supply-wire (blue). The NPN-output signal is measured between the NPN-output wire and the positive-voltage supply-wire (brown).

The parallel-, as well as the serial mounting of 3-wire or 4-wire proximity switches is allowed.

The maximum number of serial mounted proximity switches varies depending on the value of the supply voltage and is limited by the value of the respective voltage drop of the elements.

Precision Stop System With Sensing Element

For monitoring mechanical motions, Meto-Fer has a patented Stop System that provides fine stroke adjustment of the stop position and simultaneously provides an output in electrical, electronic, or pneumatic form to confirm that the stop position has been met.

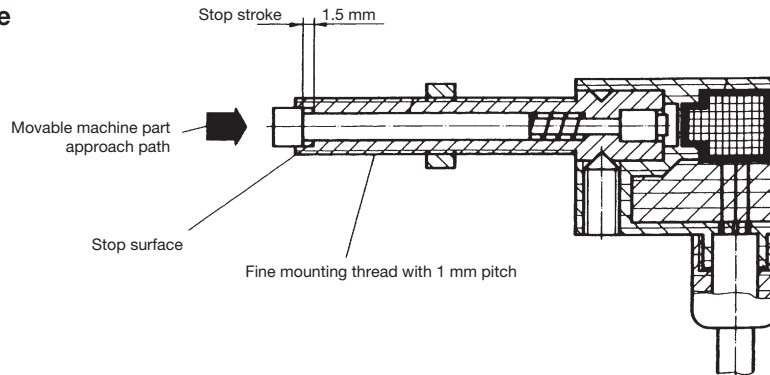
Stop screw with locknut



Plug-in sensing element



Functional Principle

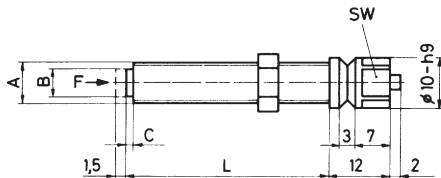


* Please note additional information on page 12 / 13

- The stop screw is used to adjust the mechanical end-position of the motion.
- The fine thread of the stop screw allows exact adjustment of the mechanical end position. The locknut secures the adjusted position.
- The stop screw contains a spring and hardened stop pin, which operates the attached sensing element when the pin is driven to the end position.
- The stroke of the hardened stop striker is 1.5 mm.
- This combination eliminates the need for a secondary sensor adjustment after the hard stop adjustment has been made.
- They come standard on all our rotary and linear actuators, or they can be integrated into your design as stand alone products whenever precision feedback and adjustment are required.

Stop Screw AS

Dimension					Part No.
A	B	C	L	LB (N)	
M8x1	5.5	1.5	15	450 (2,000 N)	AS 08/15
M8x1	5.5	1.5	40	450 (2,000 N)	AS 08/40
M10x1	7.5	2.5	50	2,135 (9,500 N)	AS 10/50
M12x1	9	2.5	60	4,600 (20,500 N)	AS 12/60
M12x1	9	2.5	80	4,600 (20,500 N)	AS 12/80
M18x1	14	2.5	100	10,100 (45,000 N)	AS 18/100

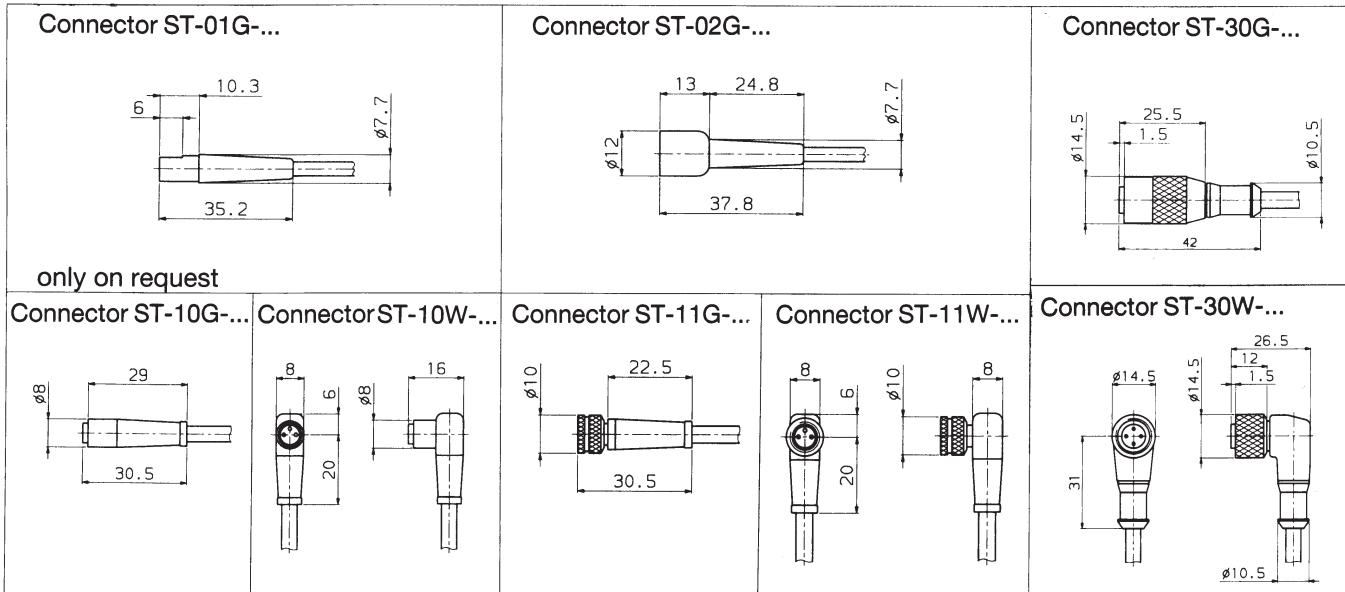


F = force or load (N) $F = m \times a$
 M = mass (kg) $a = \text{acceleration (m/s)}$

Marking of cables and connectors

Important: Sensors and cables have to be ordered separately. All the indicated part numbers of the sensors in the catalogue which do not have an incorporated cable refer only to the sensor - the corresponding cable is not included in this part-number

The corresponding cable has to be ordered separately according the following table.



Part-Number of cables which correspond to the Meto-Fer connector 01 and 02 (cable cross section: 0.14mm₂)

straight plug	
ST-02G-3A-U2X	U2X=2m
ST-02G-3A-U5X	U5X=5m
ST-02G-3A-U9X	U9X=9m

Part-Number of cables which correspond to the Standard-Connector 10 (cable cross section: 0.25mm₂)

straight plug (NAMUR / LOGIC)	right angle plug (90°) (NAMUR / LOGIC)	Length
ST-10G-3B-U2X	ST-10W-3B-U2X	U2X=2m
ST-10G-3B-U5X	ST-10W-3B-U5X	U5X=5m
ST-10G-3B-U9X	ST-10W-3B-U9X	U9X=9m

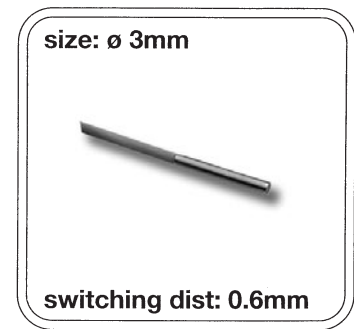
Part-Number of cables which correspond to the Standard-Connector 11 (cable cross section: 0.25mm₂)

straight plug (NAMUR / LOGIC)	right angle plug (90°) (NAMUR / LOGIC)	Length
ST-11G-3B-U2X	ST-11W-3B-U2X	U2X=2m
ST-11G-3B-U5X	ST-11W-3B-U5X	U5X=5m
ST-11G-3B-U9X	ST-11W-3B-U9X	U9X=9m

Part-Number of cables which correspond to the Standard-Connector 30 (cable cross section: 0.25mm₂)

straight plug (NAMUR / LOGIC)	right angle plug (90°) (NAMUR / LOGIC)	Length
ST-30G-4B-U2X	ST-30W-4B-U2X	U2X=2m
ST-30G-4B-U5X	ST-30W-4B-U5X	U5X=5m
ST-30G-4B-U9X	ST-30W-4B-U9X	U9X=9m

- for non-contact detection of all ferrous- and non-ferrous metals
- highest precision
- smallest size
- flush mount
- easily mounted
- IP 67 system of protection
- LED status indicator



<p>Meto-Fer sensors meet and in most cases exceed the required minimal switching distances per DIN EN 50010</p>	<p>ø 3mm LOGIC</p>
<p>wiring diagram br = brown sw = black bl = blue</p> <p>wires are color coded according to EN 50044</p>	
TECHNICAL DATA	
switching hysteresis	<10%
repeatability	<0.01mm
supply voltage	10V.....30V DC
residual ripple per DIN 41755	20%
load current (-10%, +25%)	100mA
current drain, activated	<10mA
current drain, not activated	<2mA
overvoltage spike protection	yes
polarity protection	yes
short circuit protection / overvoltage protection	yes
switching function	normally open
output type	NPN or PNP
LED status indicator	yes
switching rate	3 kHz
operating temperature range	-20°C.....+70°C
casing material	metal
cable cross section	0.14mm ²
cable: -standard PUR cable -special length on request	cable integral molded
system of protection per DIN 40050	IP 67
color of active surface	black

remarks to the part-number	Part Number
Reference codes see page 1	IR-003-NS-U2L IR-003-PS-U2L

size: \varnothing 4mm



switching distance: 0.8mm

size: 4mm x 4mm



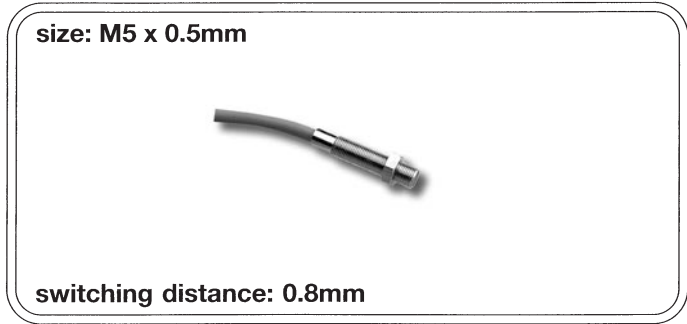
switching distance: 0.8mm

\varnothing 4mm NAMUR	\varnothing 4mm LOGIC	4 x 4mm NAMUR	4 x 4mm LOGIC
	<p>NPN</p> <p>PNP</p>		<p>NPN</p> <p>PNP</p>
	<10%		<10%
<0.01mm	<0.01mm	<0.01mm	<0.01mm
5V.....24 V DC	8V.....30V DC	5V.....24V DC	8V.....30V DC
10%	10%	10%	10%
	200mA		200mA
<1mA	<15mA	<1mA	<15mA
<4mA	<2mA	<4mA	<2mA
	yes		yes
	yes		yes
	yes		yes
analog	normally open	analog	normally open
Namur per DIN 19234	NPN or PNP	Namur per DIN 19234	NPN or PNP
	yes		yes
2 kHz	2 kHz	2 kHz	2 kHz
-20°C.....+70°C	-20°C.....+70°C	-20°C.....+70°C	-20°C.....+70°C
metal	metal	metal	metal
0.14mm ²	0.14mm ²	0.14mm ²	0.14mm ²
cable integral molded	cable integral molded	cable integral molded	cable integral molded
IP 67	IP 67	IP 67	IP 67
NAMUR = blue	NPN = red / PNP = green	NAMUR = blue	NPN = red / PNP = green

Part Number	Part Number	Part Number	Part Number
IR-004-AX-U20	IR-004-NS-U2L IR-004-PS-U2L	IM-004-AX-U20	IM-004-NS-U2L IM-004-PS-U2L

Reference codes see page 1

- for non-contact detection of all ferrous- and non-ferrous metals
- highest precision
- smallest size
- large switching distances
- easily mounted
- IP 67 system of protection (plug: IP 65)
- LED status indicator



	M5 x 0.5mm NAMUR	M5 x 0.5mm LOGIC
Meto-Fer sensors meet and in most cases exceed the required minimal switching distances per DIN EN 50010		
wiring diagram br = brown sw = black we = white bl = blue wires are color coded according to EN 50044		
TECHNICAL DATA		
switching hysteresis		<10%
repeatability	<0.01mm	<0.01mm
supply voltage	5V.....24V DC	8V.....30V DC
residual ripple per DIN 41755	10%	10%
load current (-10%, +20%)		200mA
current drain, activated	<1mA	<15mA
current drain, not activated	<4mA	<2mA
overvoltage spike protection		yes
polarity protection		yes
short circuit protection / overvoltage protection		yes
switching rate	analog	normally open (NO)
output type	NAMUR per DIN 19234	NPN or PNP
LED status indicator		yes
switching rate	2 kHz	2 kHz
operating temperature range	-20°C.....+70°C	-20°C.....+70°C
casing material	metal	metal
cable cross section	0.14mm ²	0.14mm ²
cable: -PUR cable is standard -cable has to be ordered separately (page 12)	integral molded cable	integral molded cable
system of protection per DIN 40050	IP 67	IP 67
color of the active surface	NAMUR = blue	NPN = red / PNP = green

remarks to the part number	Part Number	Part Number
Reference codes see page 1	IR-005-AX-U20	IR-005-NS-U2L IR-005-PS-U2L

size: 6 x 6mm



switching distance: NAMUR 1.5mm / Logic 2mm

size: ø 6.5mm



switching distance: NAMUR 1.5mm / Logic 2mm

6 x 6mm NAMUR	6 x 6mm LOGIC	ø 6.5mm NAMUR	ø 6.5mm LOGIC
	<10%		<10%
<0.01mm	<0.01mm	<0.01mm	<0.01mm
5V.....24V DC	8V.....30V DC	5V.....24V DC	8V.....30V DC
10%	10%	10%	10%
	200mA		200mA
<1mA	<15mA	<1mA	<15mA
<4mA	<2mA	<4mA	<2mA
	yes		yes
	yes		yes
	yes		yes
analog	normally open	analog	normally open
Namur per DIN 19234	NPN or PNP	Namur per DIN 19234	NPN or PNP
			yes (plug version only)
2 kHz	2 kHz	2 kHz	2 kHz
-20°C.....+70°C	-20°C.....+70°C	-20°C.....+70°C	-20°C.....+70°C
metal	metal	metal	metal
0.14mm ²	0.14mm ²	0.14mm ²	0.14mm ²
integral molded cable	integral molded cable	integral molded cable or connector (see page 12)	integral molded cable or connector (see page 12)
IP 67	IP 67	IP 67 (with plug = IP 65)	IP 67 (with plug = IP 65)
Namur = blue	NPN = red / PNP = green	Namur = blue	NPN = red / PNP=green

Part Number	Part Number	Part Number	Part Number
IM-006-AX-U20	IM-006-NS-U2L IM-006-PS-U2L	IR-065-AX-U20 IR-065-AX-010 IR-065-AX-100	IR-065-NS-10L IR-065-PS-10L IR-065-NS-01L IR-065-PS-01L IR-065-NS-U2L IR-065-PS-U2L

Reference codes see page 1

- for non-contact detection of all ferrous- and non-ferrous metals
- highest precision
- easily mounted
- large switching distances
- cable- and plug version
- IP 67 system of protection (plug version: IP 65)
- LED status indicator

size: M8 x 1mm



switching dist: NAMUR = 1.5mm / Logic = 2mm

	M8 x 1mm NAMUR	M8 x 1mm LOGIC
Meto-Fer sensors meet and in most cases exceed the required minimal switching distances per DIN EN 50010		
wiring diagram br = brown sw = black we = white bl = blue		
wires are color coded according to EN 50044		
TECHNICAL DATA		
switching hysteresis		<10%
repeatability	<0.01mm	<0.01mm
supply voltage	5V.....24V DC	8V.....30V DC
residual ripple per DIN 41755	10%	10%
load current (-10%, +20%)		200mA
current drain, activated	<1mA	<15mA
current drain, not activated	<4mA	<2mA
overvoltage spike protection		yes
polarity protection		yes
short circuit protection / overvoltage protection		yes
switching protection	analog	normally open
output type	NAMUR per DIN 19234	NPN or PNP
LED status indicator		yes (plug version)
switching rate	2 kHz	2 kHz
operating temperature range	-20°C.....+70°C	-20°C.....+70°C
casing material	metal	metal
cable cross section	0.14mm ²	0.14mm ²
cable: -PUR cable is standard -cable has to be ordered separately (page4)	integral molded cable or connector (see page 4)	integral molded cable or connector (see page 4)
system of protection per DIN 40050	IP 67 (plug version =IP 65)	IP 67 (plug version =IP 65)
color of the active surface	NAMUR = blue	NPN = red / PNP = green

remarks to the part number	Part Number	Part Number
Reference codes see page 1	IR-008-AX-U20 IR-008-AX-010 IR-008-AX-110	IR-008-NS-11L IR-008-PS-11L IR-008-NS-01L IR-008-PS-01L IR-008-NS-U2L IR-008-PS-U2L

size: 8 x 8mm



switching distance: NAMUR = 1.5mm / Logic = 2mm

size: M12 x 1mm



switching distance: NAMUR = 3mm / Logic = 3mm

8 x 8mm NAMUR		8 x 8mm LOGIC		M12 x 1mm NAMUR		M12 x 1mm LOGIC	
U20		U20		U20		U20	
01		01		02		02	
10		10		30		30	
			<10%				<10%
	<0.02mm		<0.02mm		<0.05mm		<0.05mm
	5V.....24VDC		8V.....30V DC		5V.....24V DC		8V.....30V DC
	10%		10%		10%		10%
			200mA				200mA
	<1mA		<15mA		<1mA		<15mA
	<4mA		<2mA		<4mA		<2mA
			yes				yes
			yes				yes
			yes				yes
	analog		normally open		analog		normally open/closed
	Namur per DIN 19234		NPN or PNP		Namur per DIN 19234		NPN or PNP
			yes (plug version)				yes (plug version)
	1 kHz		1 kHz		1 kHz		1 kHz
	-20°C.....+70°C		-20°C.....+70°C		-20°C.....+70°C		-20°C.....+70°C
	metal		metal		metal		metal
	0.14mm ²		0.14mm ²		0.14mm ²		0.14mm ²
	integral cable or cable with connector (see page 4)		integral cable or cable with connector (see page 4)		integral cable or cable with connector (see page 4)		integral cable or cable with connector (see page 4)
	IP 67 (with plug = IP 65)		IP 67 (with plug = IP 65)		IP 67 (with plug = IP 65)		IP 65 (with plug = IP 65)
	NAMUR = blue		NPN = red / PNP = green		NAMUR = blue		NPN = red / PNP = green

Part Number	Part Number	Part Number	Part Number
IM-008-AX-100	IM-008-NS-10L	IR-012-AX-U20	IR-012-NB-30L
IM-008-AX-010	IM-008-PS-10L	IR-012-AX-300	IR-012-PB-30L
IM-008-AX-U20	IM-008-NS-01L	IR-012-AX-020	IR-012-NS-02L
	IM-008-PS-01L		IR-012-PS-02L
	IM-008-NS-U2L		IR-012-NS-U2L
	IM-008-PS-U2L		IR-012-PS-U2L

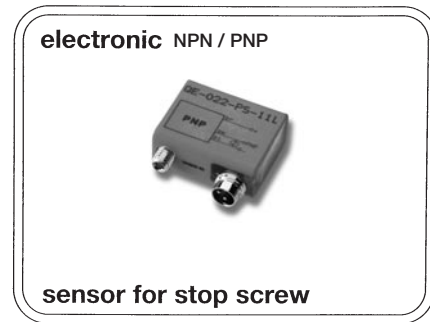
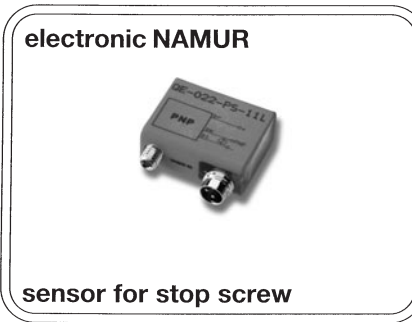
Reference codes see page 1

- for non-contact detection of all ferrous- and non-ferrous metals
- highest precision
- large switching distances
- plug version (IP 65)
- easily mounted
- LED status indicator



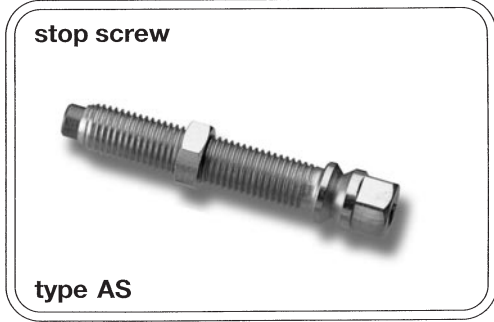
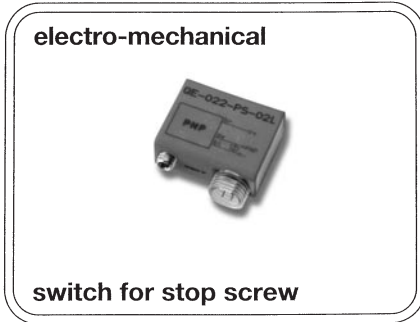
<p>Meto-Fer sensors meet and in most cases exceed the required minimal switching distances per DIN EN 50010</p>	M 18 x 1mm LOGIC				
	<table border="1" style="width: 100%;"> <tr> <td style="text-align: center; vertical-align: middle;">02</td> <td style="text-align: center;"> </td> </tr> <tr> <td style="text-align: center; vertical-align: middle;">30</td> <td style="text-align: center;"> </td> </tr> </table>	02		30	
02					
30					
<p>wiring diagram br = brown sw = black we = white bl = blue</p> <p>wires are color coded according to EN 50044</p>	<table border="1" style="width: 100%;"> <tr> <td style="text-align: center;"> </td> <td style="text-align: center;"> </td> </tr> <tr> <td style="text-align: center;"> </td> <td style="text-align: center;"> </td> </tr> </table>				
TECHNICAL DATA					
switching hysteresis	<10%				
repeatability	<0.1mm				
supply voltage	8V.....30V DC				
residual ripple DIN 41755	10%				
load current (-10%, +25%)	200mA				
current drain, activated	<15mA				
current drain, not activated	<2mA				
overvoltage spike protection	yes				
polarity protection	yes				
short circuit protection / overvoltage protection	yes				
switching function	normally open/closed				
output type	NPN or PNP				
LED status indicator	yes				
switching rate	500 Hz				
operating temperature range	-20°C.....+70°C				
casing material	metal				
cable cross section					
cable: - cable has to be ordered separately (see page 4)					
system of protection per DIN 40050	IP 65				
color of active surface (NPN = red / PNP = green)	depend on output function				
remarks to the part number	Part-Number				
Reference codes see page 1	IR-018-NB-30L IR-018-PB-30L IR-018-NS-02L IR-018-PS-02L				

- mechanically adjust stroke limit with electronic or pneumatic sensing device
- element can be plugged on
- Type ..-NS,-PS.: sense with inductive proximity switch
- Type ..-EB: electro-mech. switch
- Type P: 3/2 directional control valve



Plug on to any stop screw and secure with set screw.	22 x 12mm NAMUR	22 x 12mm LOGIC
		<p>U20</p>
wiring diagram br = brown sw = black we = white bl = blue wires are color coded according to EN 50044		
TECHNICAL DATA		
supply voltage	5V.....24V DC	8V.....30V DC
residual ripple per DIN 41755	10%	10%
load current		200mA
current drain, activated	<1mA	<15mA
current drain, not activated	<4mA	<2mA
Max. switching current (AC and DC)		
Max. switching voltage DC		
Max. switching voltage AC		
polarity protection		yes
short circuit prot. / overvoltage prot.		yes
switching function	analog	normally open
output type	NAMUR	NPN or PNP
LED status indicator		yes
switching rate	2 kHz	2 kHz
operating temperature range	-20°C.....+70°C	-20°C.....+70°C
casing material	plastic	plastic
cable cross section	0.14mm ²	0.14mm ²
cable: -PUR cable is standard -cable info - (see page 4)	cable with plug (see page 4)	cable with plug (see page 4)
system of protection per DIN 40050	IP 67 (plug version = IP 65)	IP 67 (plug version = IP 65)
signal transmitter	stop screw	stop screw

remarks to the part number	Part Number	Part Number Sensor	Cable (2m.6FT)
Reference codes see page 1	QE-022-AX-110 QE-022-AX-020 QE-022-AX-U20	*5m and 9m also available	
		QE-022-NS-11L QE-022-PS-11L QE-022-NS-02L QE-022-PS-02L	ST-11G-3B-U2X ST-02G-3A-U2X



electro-mechanical

U20/02

b.l. SW br.

change over contact
el. mechanical change over switch

20 Hz
-20C.....+70C

plastic

0.14mm²

or cable with plug
IP 41

stop screw

type P = pneumatic

AS 28 11 12 6.3 22

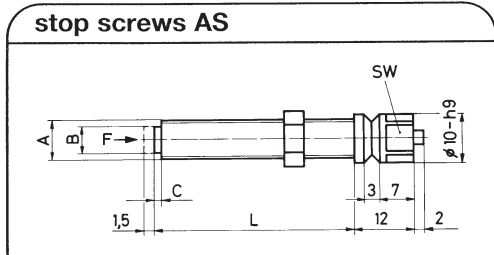
Supply pressure P
Signal pressure A
Aerating R

A P R

supply pressure P = 1 - 8 bar
signal pressure A = P
nominal width NW = 2.5mm
pneumatic connection = M5

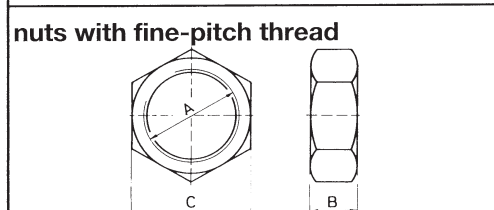
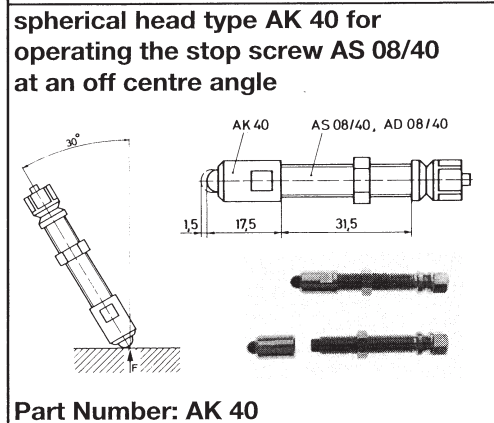
plastic

stop screw



dimensionen					Part No.
A	B	C	L	F max.	
M8x1	5.5	1.5	15	2000N	AS 08/15
M8x1	5.5	1.5	40	2000N	AS 08/40
M10x1	7.5	2.5	50	9500N	AS 10/50
M12x1	9	2.5	60	20500N	AS 12/60
M12x1	9	2.5	80	20500N	AS 12/80
M18x1	14	2.5	100	45000N	AS 18/100

F = force or load (N) $F = m \times a$
 m = mass (kg)
 a = acceleration (m/s²)



Part Number	Cable (2m.6FT)	Part Number
<i>*5m and 9m also available</i>		
QE-022-EB-110	ST-11G-3B-U2X	P the pneumatic element is available in one type only
QE-022-EB-020	ST-02G-3A-U2X	

dimensionen			Part No.
A	B	C	
M5x0.5	2.5	8	MU 01.001
M6x0.5	2.5	8	MU 01.002
M8x1	4	10	MU 01.003
M10x1	4	13	MU 01.004
M12x1	4	15	MU 01.005
M14x1	4	16	MU 01.006
M18x1	6	22	MU 01.007

Reference codes see page 1

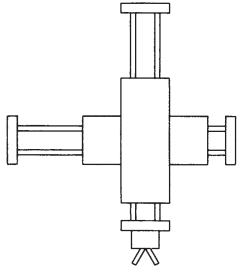
StopScrew AS (with extended stroke)

Use of the StopScrew with Extended Stroke and the QE-OSN-PS-11L Sensing Unit (see QE022-PS-11L data on page 12) enables achievement of shorter cycle times.

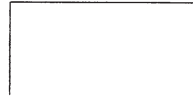
Depending on designated stroke (5, 10 or 20mm) the signal is advanced accordingly by 5, 10 or 20mm before the end stop. (The signal will be held).

Early signal compensation will be allowed for the start delay of a motion (approx. 0.1 sec.) through values and air flow.

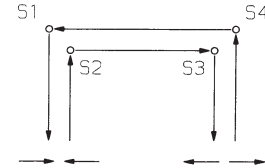
Motion Example:



Motion Curve
"AS Standard
StopScrew"

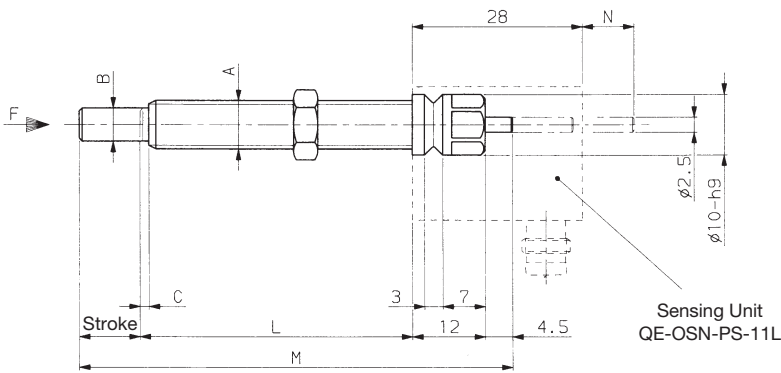


Motion Curve
"AS StopScrew with
Extended Stroke"



Example of 4 Cycle Positions (S1, S2, S3, S4) with time savings

Time savings of approx. 0.5 sec.

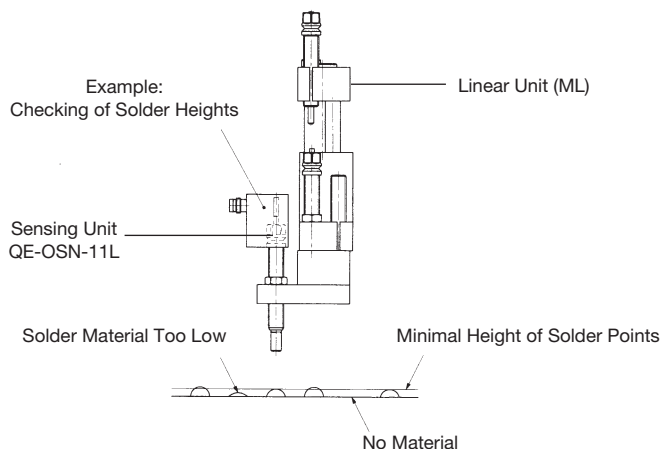


A	B	C	L	Stroke	M	N	F [N]		Order No.
							min.	max.	
M8x1	5.5	1.5	45	10	71.5	-	6	2000	AS08/45-10
M10x1	7.5	2.5	50	10	76.5	-	10	9500	AS10/50-10
M12x1	9.0	2.5	60	10	86.5	-	10	20500	AS12/60-10

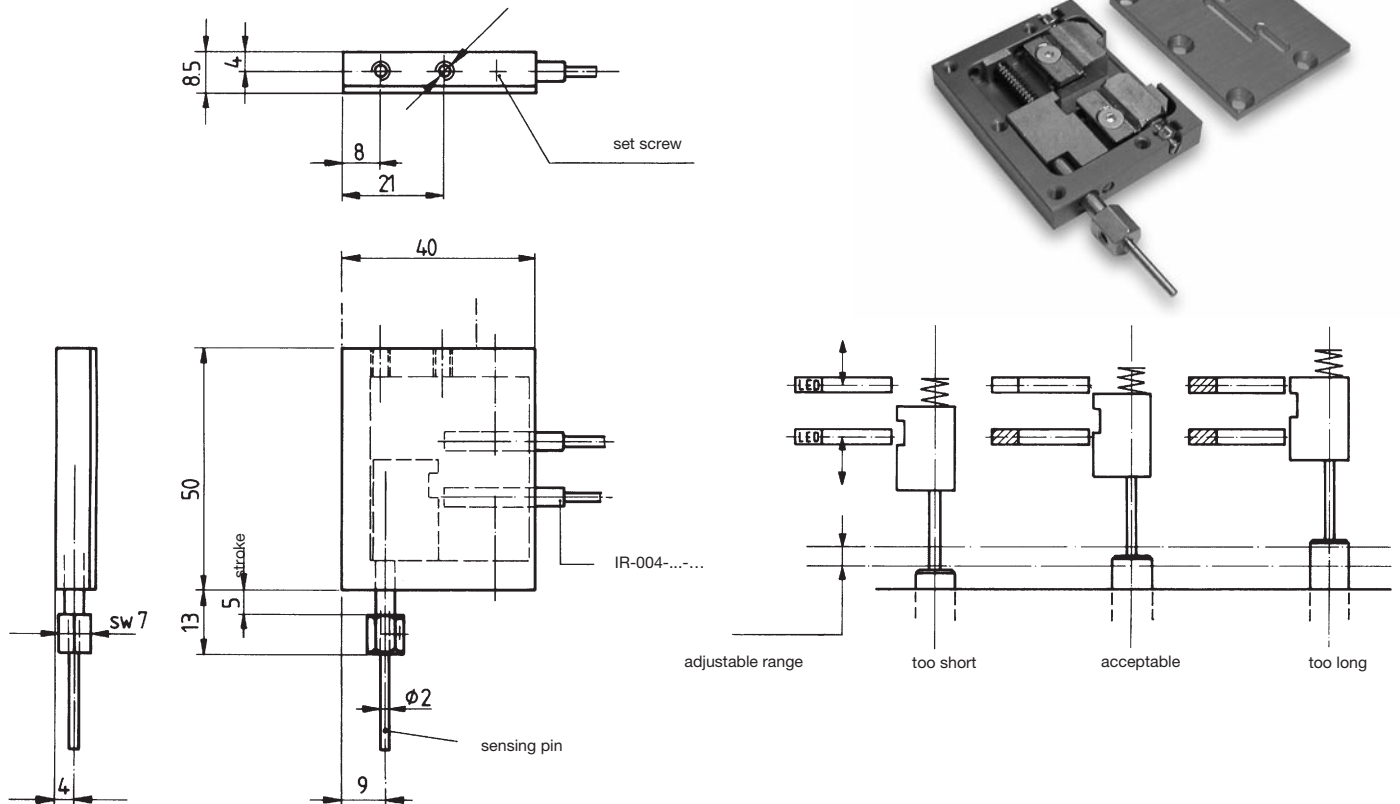
Sensing Unit



Order No:
QE-OSN-PS-11L



Height Gauge KV (precision sensing unit)



Application:

- Tolerance control with output signal for too short, acceptable, too long
- Check for failure
- Presence control

The height gauge KV is used for the control of two adjustable positions with a range from 0.03 to 5 mm.

Whenever precision feedback and adjustment are required.
Output signal; when the preset limiting values are reached.

Order No. KV 01

Inductive Proximity Switches for KV 01

Order No. IR-004-NS-U2L (NPN, normally open)
IR-004-PS-U2L (PNP, normally open)
IR-004-AX-U20 (NAMUR, analog)

*All proximity switches have molded cable, see page 6

Technical data:

- Control range is adjustable with two set screws (sensor position 1 and 2)
- Adjustable range: 0.03 - 5 mm (0.00118-0.196 inch)
- Spring force: 140 - 210 g (0.308-0.463 lb)
- Repeatability: +/- 0.03 mm (+/-0.00118 inch)
- Weight: 0.07 kg (0.154 lb)
- For horizontal and vertical applications